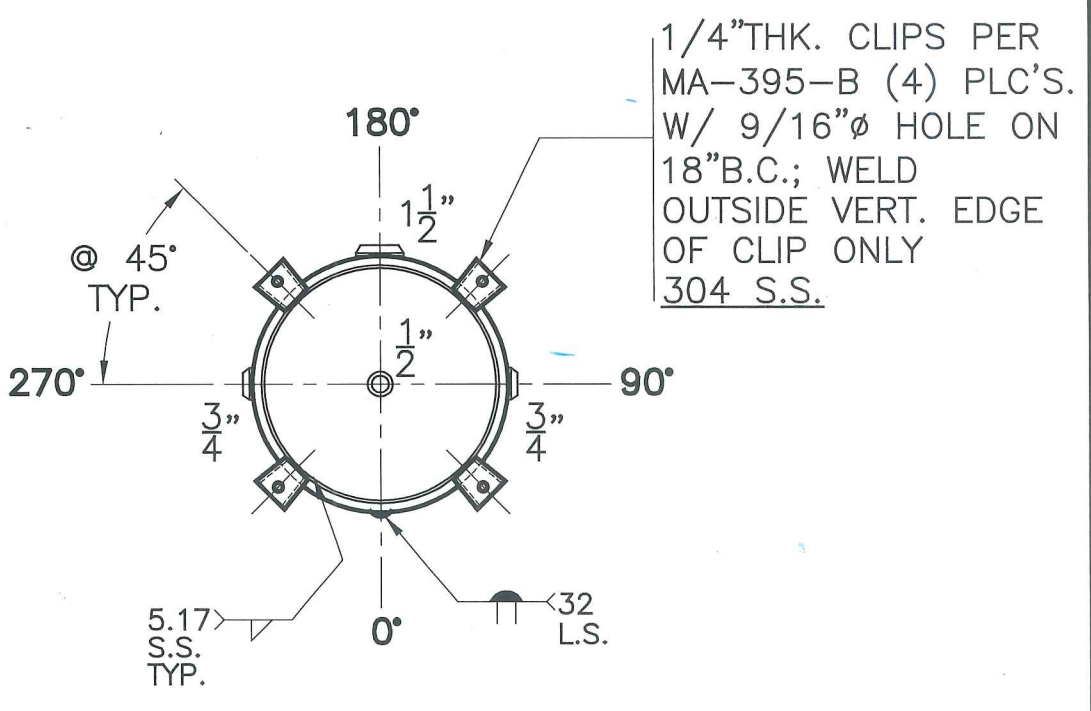
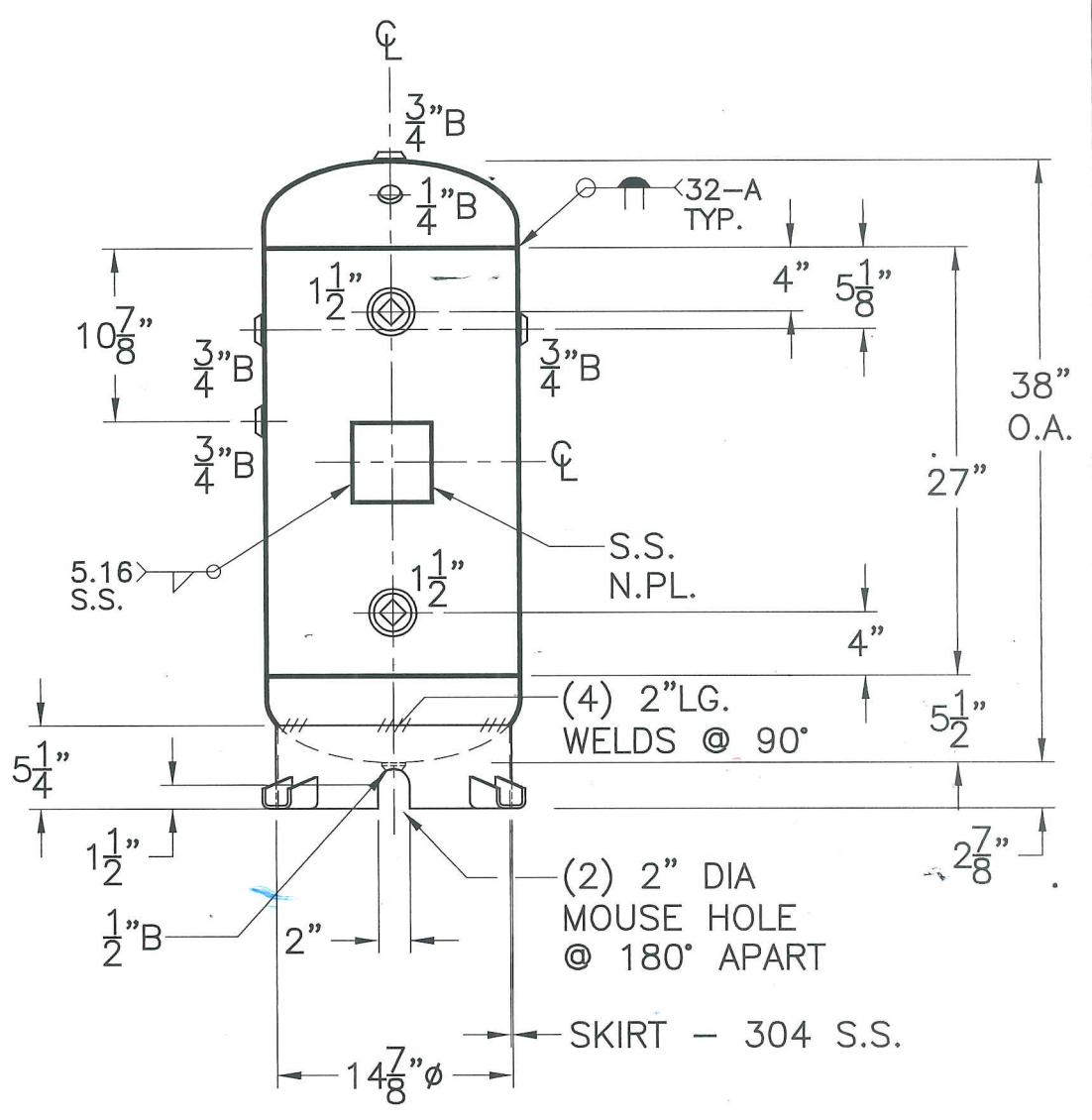
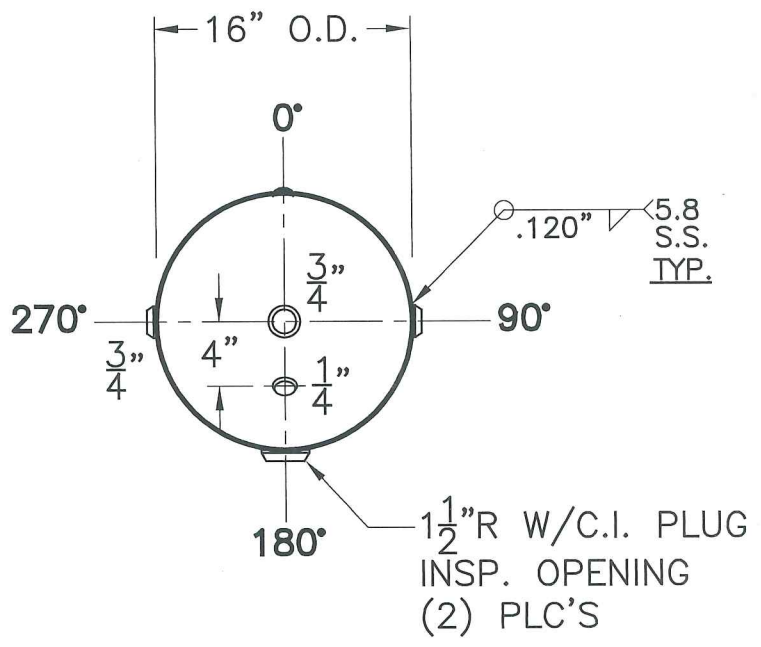


JOB No. \_\_\_\_\_  
 DATE: \_\_\_\_\_



NOTE: 1) ALL NPT ARE SA-182-304 S.S.  
 2) HYDRO @ 260 PSIG. MIN.

SHELL / HEADS		.135" SA-240-304 S.S. 2:1 S.E.	
JOGGLE			
M.A.W.P.	200 PSIG. @ 400 °F		
M.D.M.T.	-20 °F @ 200 PSIG.		
ASME. SECTION VIII DIV. 1, 2017			
X-RAY:	RT-NO		
GALLONS:	30	WT.	95 LBS.
SERIAL NO.			
N.B. NO.			
FOR:		A1-081-B	
VERT. AIR TANK		REV. 3-15-19	
SURFACE AREA = 14.7 SQ. FT.		DATE: 3-13-19	
INSIDE: PASSIVATE			
OUTSIDE: BEAD BLAST & PASSIVATE			
BY: J.G./B.C.		SCALE: 1"=12"	
ROY E. HANSON JR. MFG.			
LOS ANGELES, CA 90021			