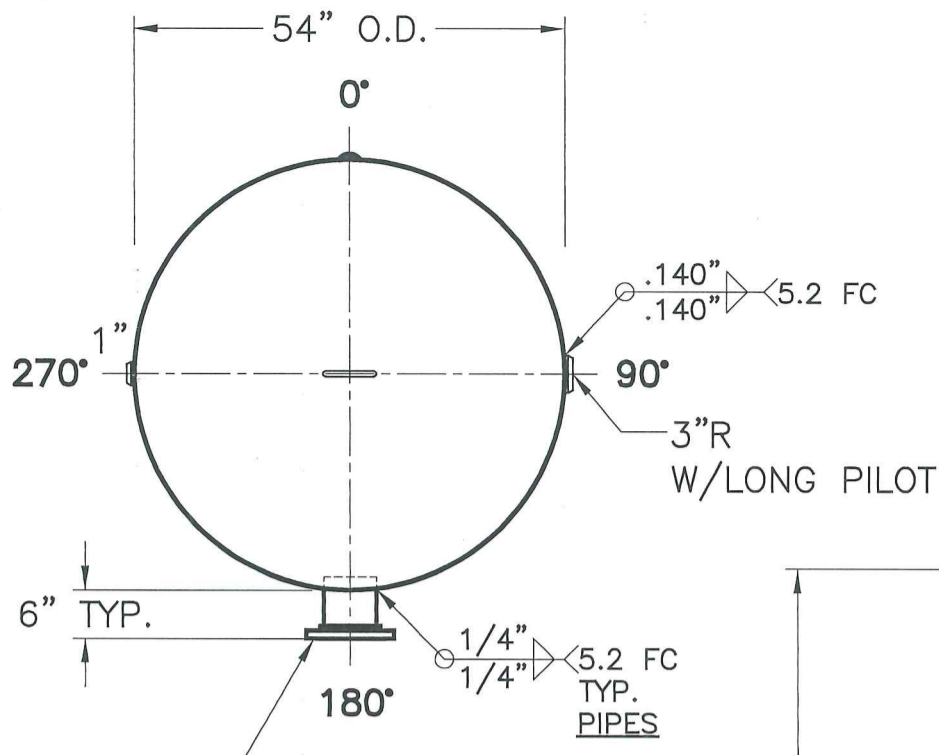
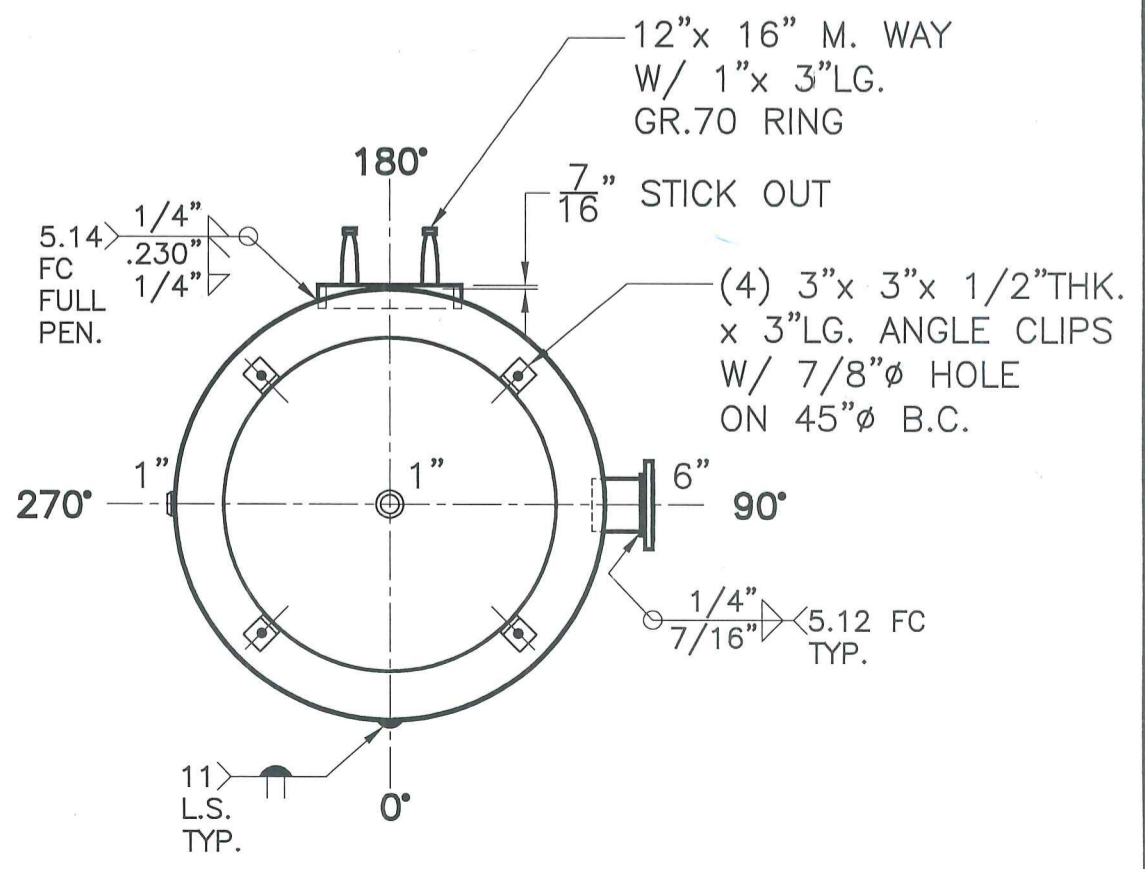
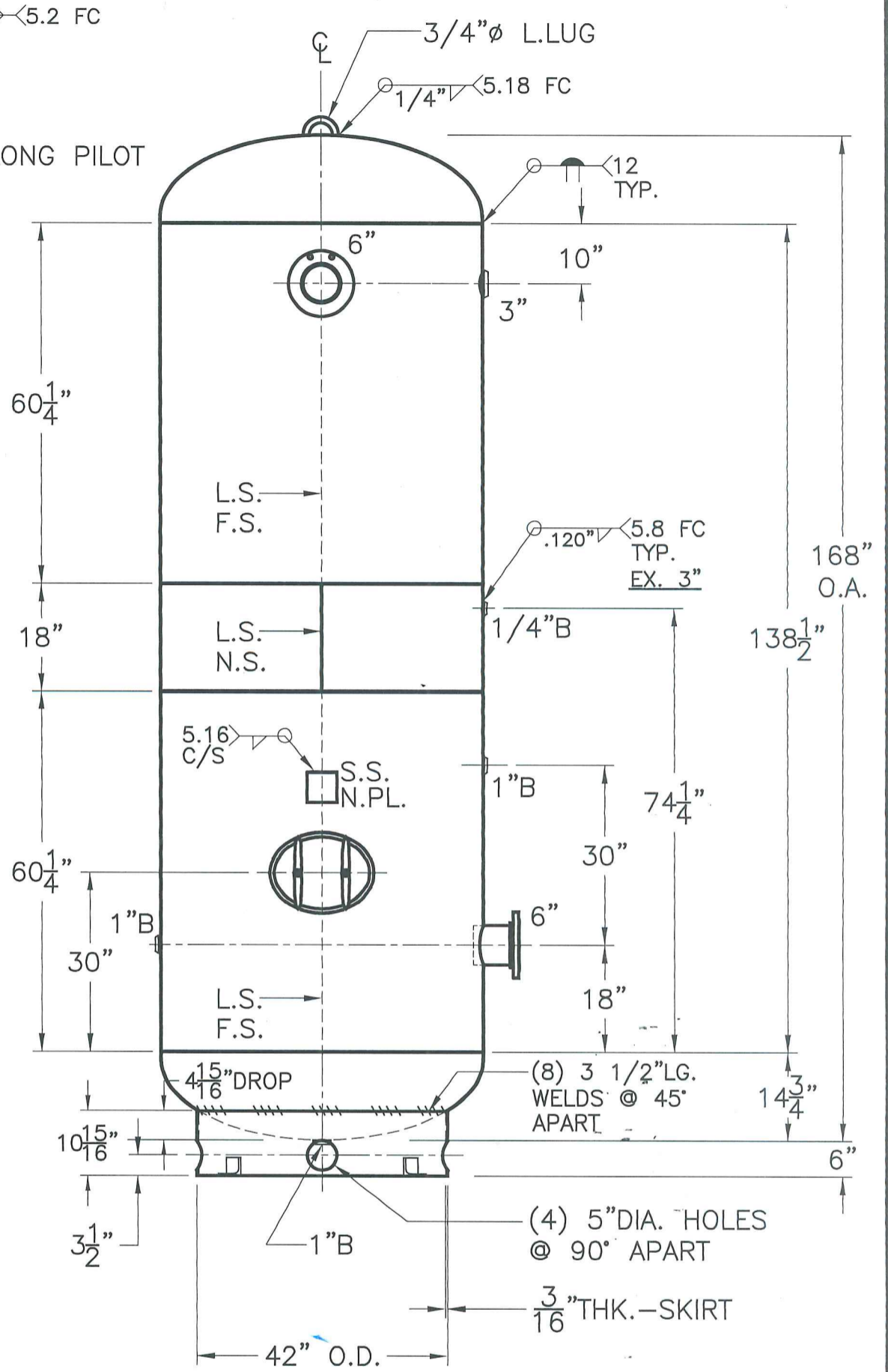


JOB No. _____
 DATE: _____



6"-150# R.F.S.O. FLG.
 W/SCH. 80, SMLS.
 SA-106-C PIPE x 7 5/8" LG.
 (2) PLC'S.



NOTE: 1) 2) DRAIN FOR HORIZONTAL MOUNT ADDED AFTER SERIAL #423,136
 HYDRO @ 195 PSIG. MIN.

SHELL / HEADS		.250" SA-455 2:1 S.E. (.222" MIN.)	
M.A.W.P.	150 PSIG. @ 400 °F	M.D.M.T.	-20 °F @ 150 PSIG.
ASME. SECTION VIII DIV. 1, 2021			
X-RAY: RT-4 SPOT L.S. & HD. G.S.			
GALLONS:	1550	WT.	2460 LBS.
SERIAL NO.			
N.B.			
INSIDE: UNPAINTED		FOR: HANSON STANDARD	
OUTSIDE: PRIME		VERT. AIR TANK	
CAD "B" SIZE UNDER "STD" SERIES		REV. 6-1-22	
BY: J.G.		DATE: 8-12-92	
SCALE: 1/2"=12"		54-VP-1550-R	
ROY E. HANSON JR. MFG.		FOR: HANSON STANDARD	
LOS ANGELES, CA 90021		VERT. AIR TANK	
		UW-21(b)	