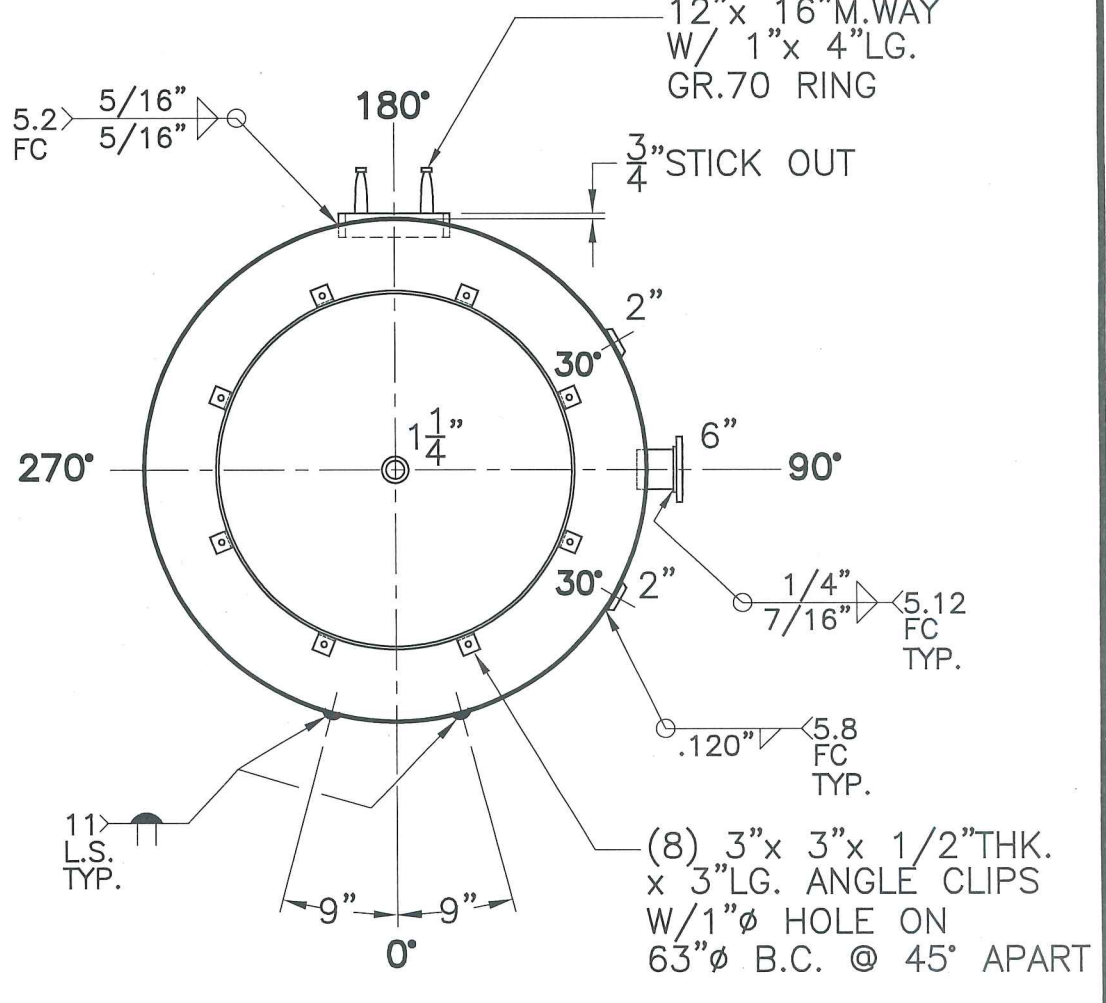
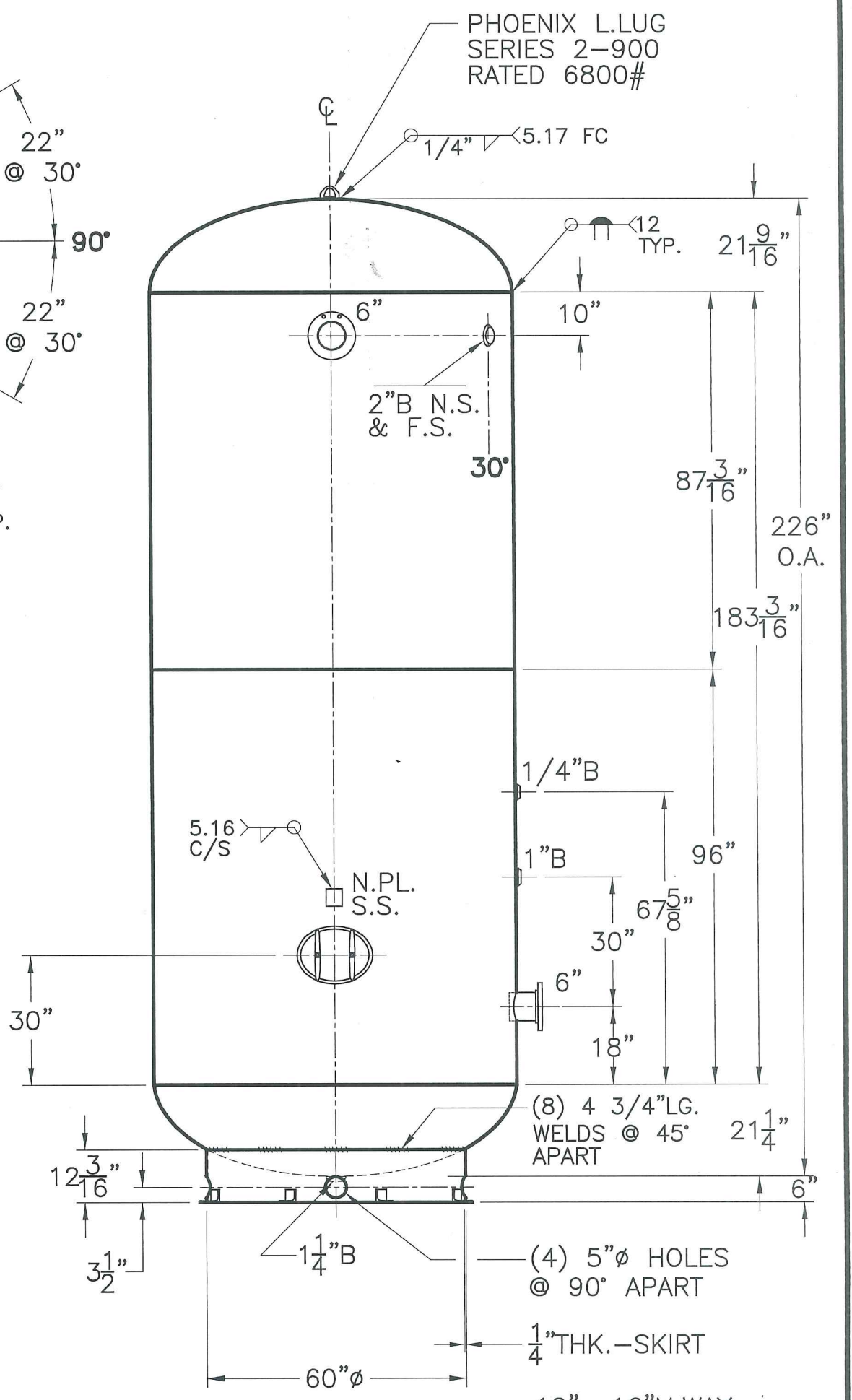
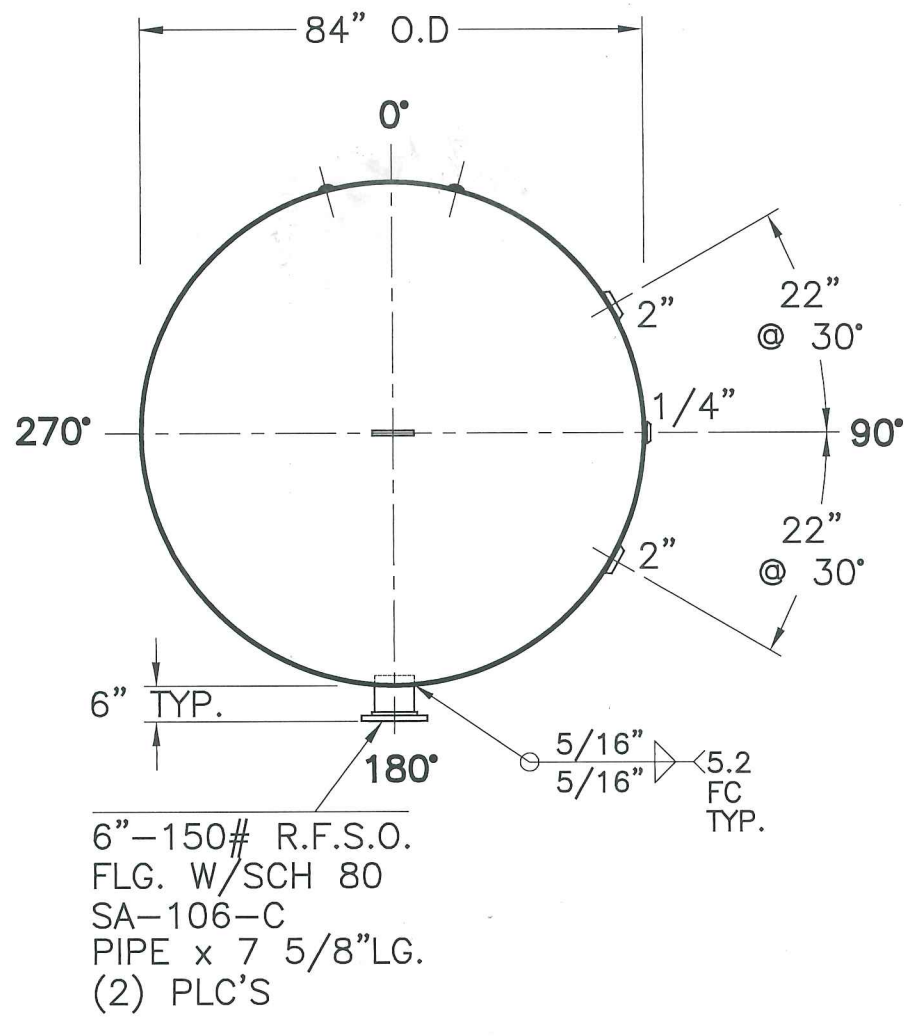


JOB No.	
DATE:	



NOTE: 1) HYDRO @ 163 PSIG. MIN.

SHELL / HEADS		84-VG-5000-R	
.326" SA-455	2:1 S.E.	REV. 1-30-20	DATE: 6-15-99
(.269" MIN.)		FOR: HANSON STANDARD	
.289" SA-455		VERT. AIR TANK	
		UW-21(b)	
		INSIDE: UNPAINTED	
		OUTSIDE: PRIME	
M.A.W.P. 125 PSIG. @ 400 °F		CAD "B" SIZE UNDER "STD"-SERIES	
M.D.M.T. -20 °F 125 PSIG		BY: J.G. SCALE: 3/8"=12"	
ASME. SECTION VIII DIV. 1, 2019		ROY E. HANSON JR. MFG.	
X-RAY: RT-4 SPOT L.S. & HEADS G.S.		LOS ANGELES, CA 90021	
GALLONS: 5000 WT. 6355 LBS.			
SERIAL NO.			
N.B.			