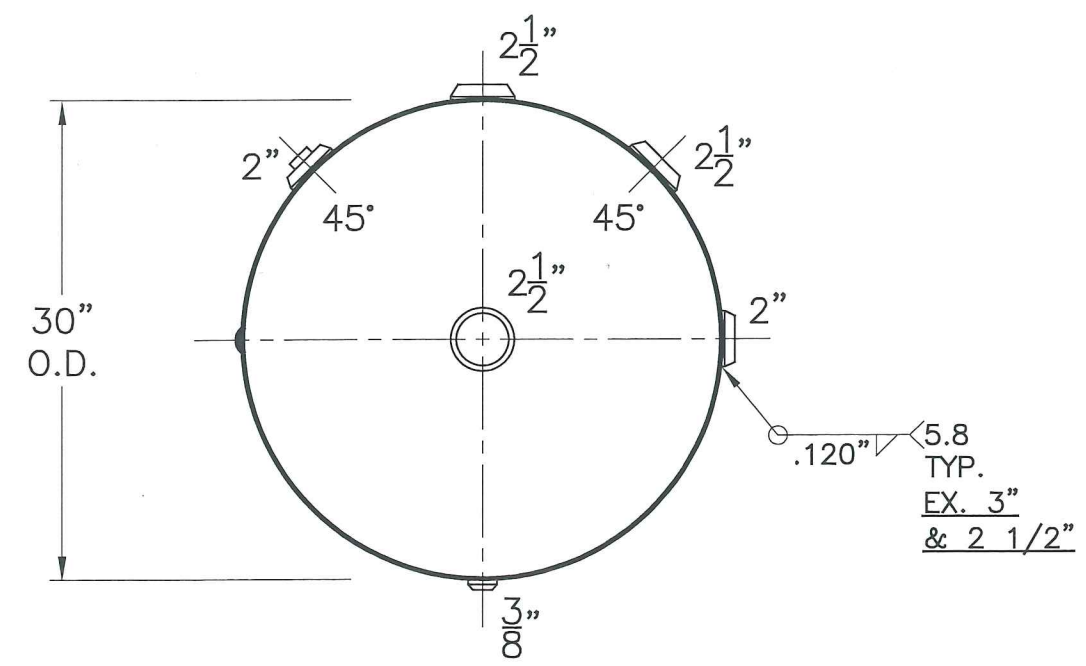
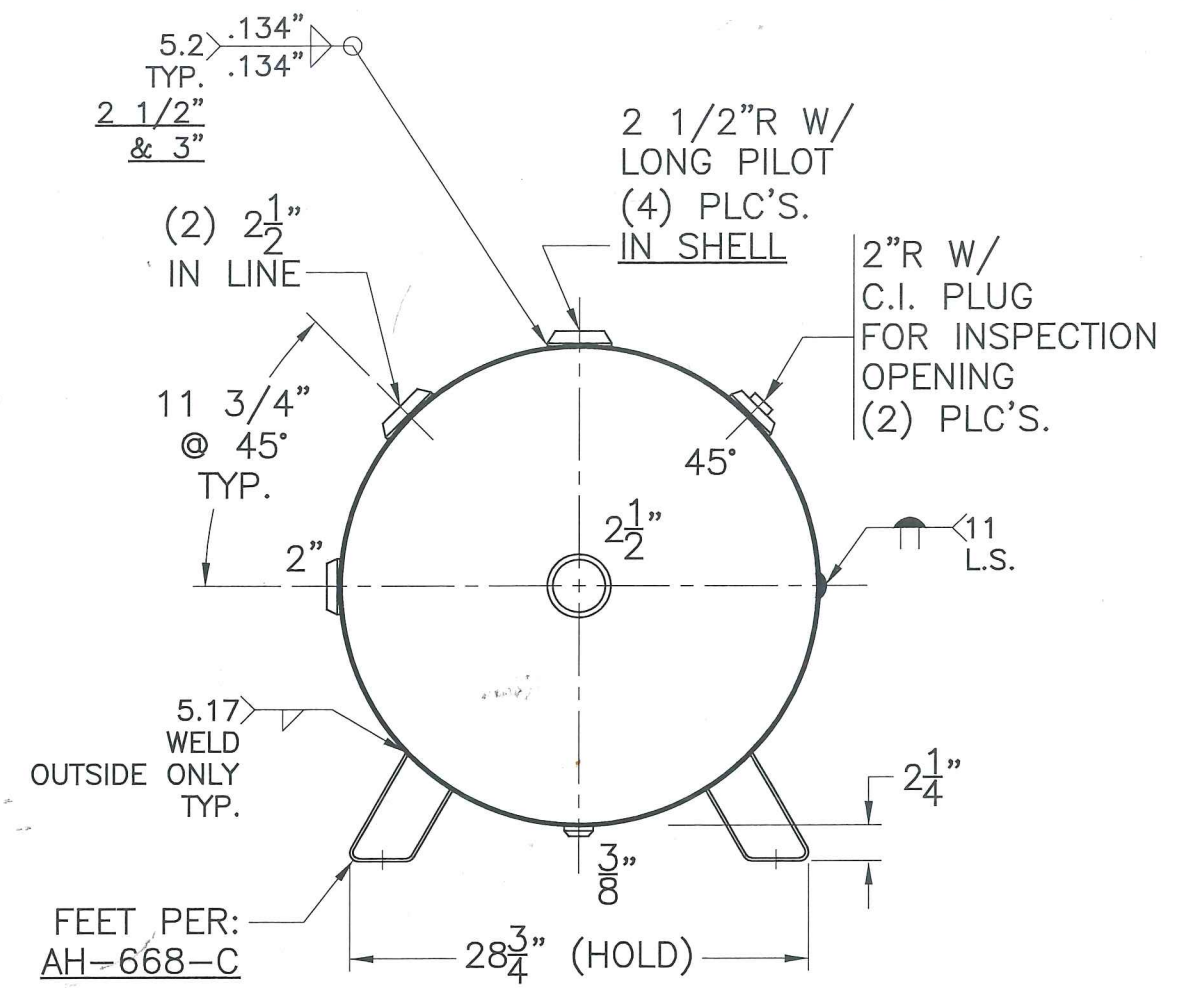


2 1/2" B W/
 LONG PILOT
 (2) PLC'S.
 IN HEADS



VIEW W/O SUPPORTS

2) INSTALL SQUARE HEAD PLUGS WITH TEFLON TAPE,
 AIR TIGHT, IN ALL FNPT'S.

NOTE: 1) HYDRO @ 260 PSIG. MIN.

SHELL / HEADS	.166" SA-414-G 2:1 S.E.	AH-534-B	REV. 10-8-21
	JOGGLE		DATE: 12-4-07
		FOR:	
		HORIZ. AIR TANK	
		SURFACE AREA = 51.0 SQ. FT.	
		INSIDE: NOT LINED-DEHYDRATE AND VACUUM CLEAN	
		OUTSIDE: PRIME	
M.A.W.P. 200 PSIG. @ 400 °F		BY: J.A./B.C.	SCALE: 1"=12"
M.D.M.T. -20 °F @ 200 PSIG.		ROY E. HANSON JR. MFG.	
ASME SECTION VIII DIV. 1, 2019		LOS ANGELES, CA 90021	
X-RAY: RT-4 SPOT L.S. ONLY			
GALLONS: 200	WT. 450 LBS.		
SERIAL NO.			
N.B.			