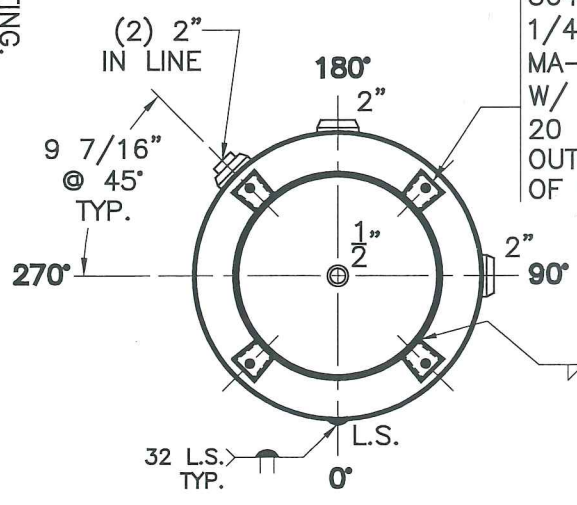


2"R
 W/S. STL. PLUG
 INSP. OPENING
 (2) PLC'S.

NOTE: 1 } UHA-51 (e)(2) NO IMPACT TESTING.
 2 } ALL BONYS ARE SA-182-304 S.S.
 3 } HYDRO @ 260 PSIG. MIN.

SHELL / HEADS	
TRIM	.1875" SA-240-304 2:1 S.E.
	.1875" SA-240-304 S.S.
M.A.W.P.	200 PSIG. @ 200 °F
M.D.M.T.	-155 °F @ 200 PSIG.
ASME. SECTION VIII	2019
X-RAY:	RT-NO
GALLONS:	120
SERIAL NO.	WT. 347 LBS.
N.B.	



304 S.S. -
 1/4" THK. CLIPS PER
 MA-395-B (4) PLC'S.
 W/ 9/16" Ø HOLE ON
 20 3/8" B.C.; WELD
 OUTSIDE VERT. EDGE
 OF CLIP ONLY

24-VA-120-R	REV. 12-18-20
304 S.S.	DATE: 3-27-06
FOR: HANSON TANK	
VERT. AIR TANK	
SURFACE AREA = 36.5 SQ. FT.	
INSIDE: PASSIVATE	
OUTSIDE: BEAD BLAST & PASSIVATE	
BY: J.G.	SCALE: 3/4"=12"
ROY E. HANSON JR. MFG.	
LOS ANGELES, CA 90021	