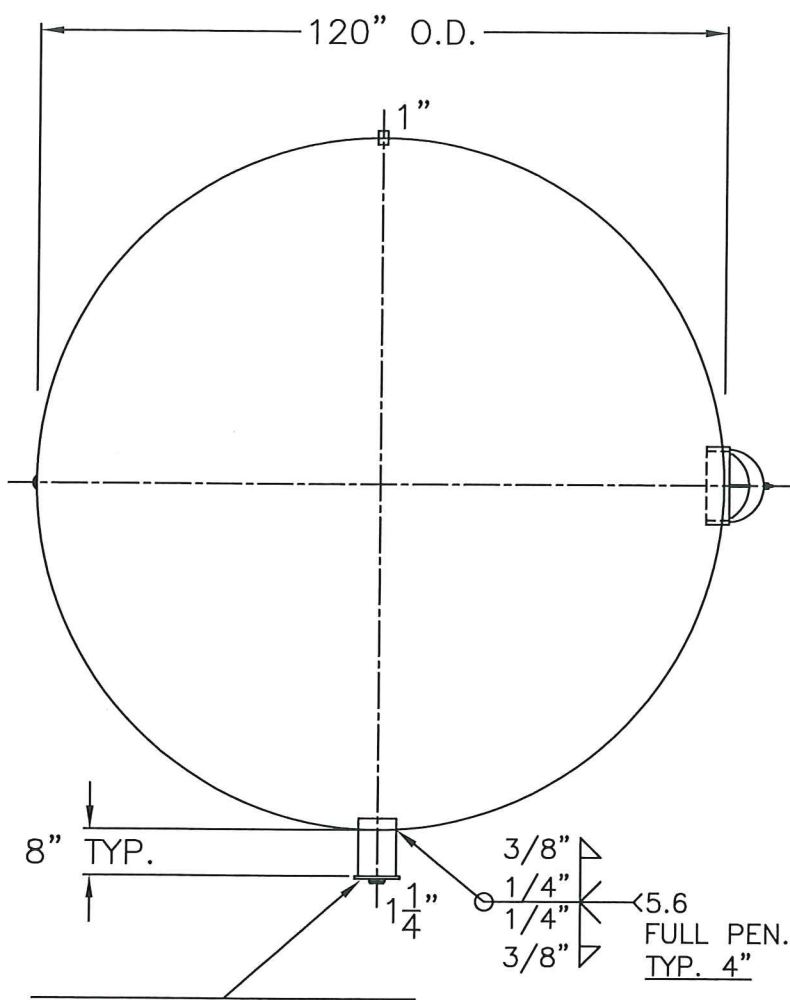
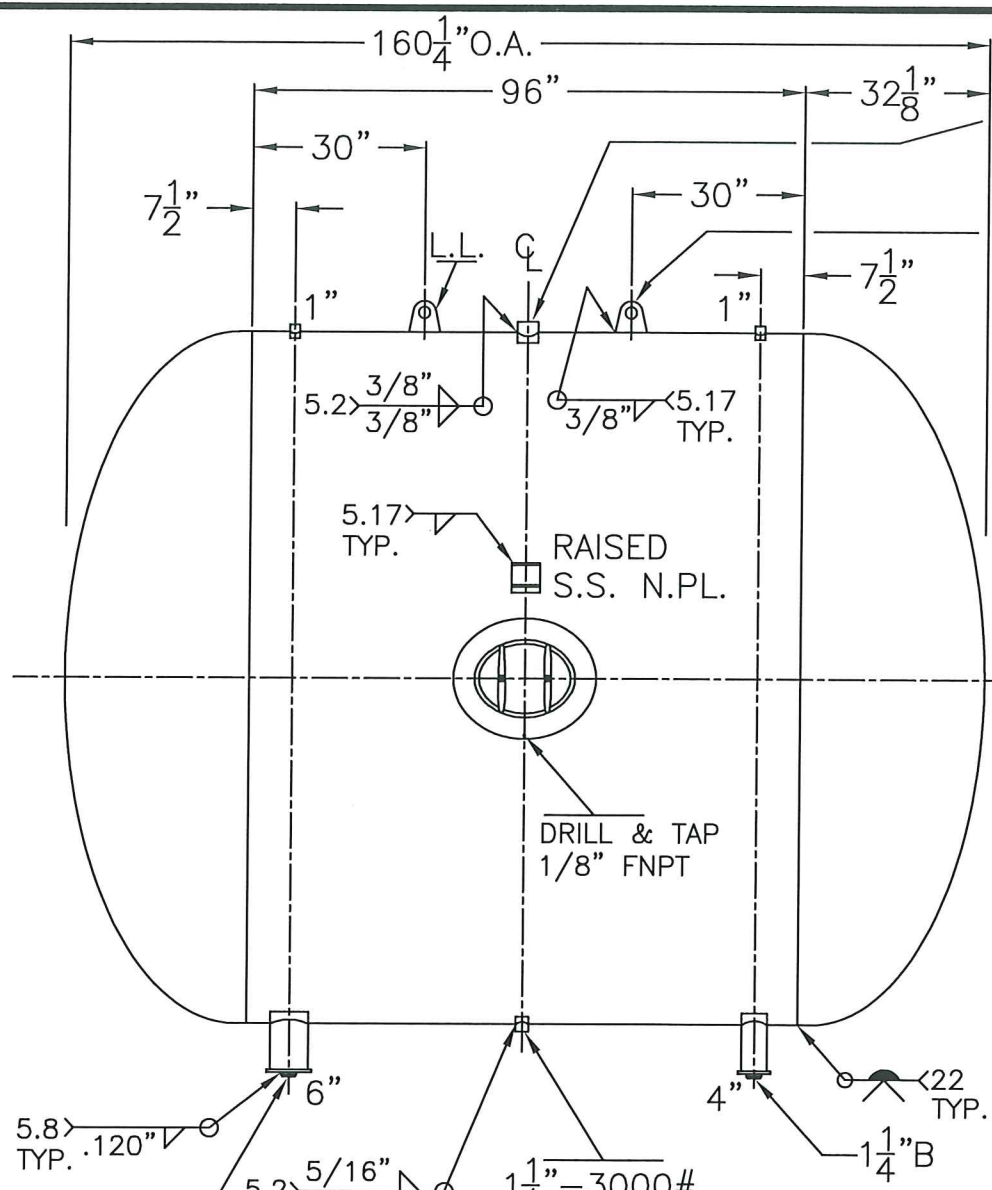


DATE	BY
3-14-13	R.E.H.



8" TYP.
 6" SCH 120, SA-106-B
 PIPE x 10" LG.
 W/ 1/2" THK. BLANK-OFF
 W/ 1 1/4" B



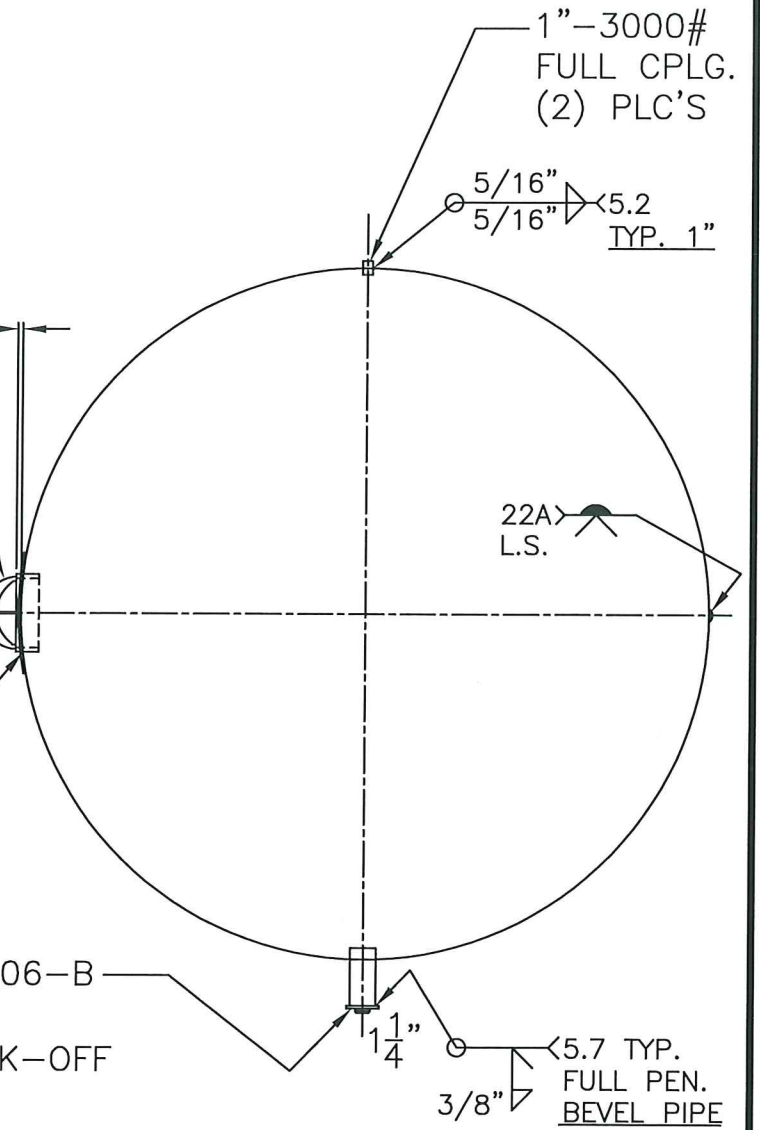
5.8 TYP. .120"
 1 1/4" B
 5.2 5/16"
 5/16"
 1 1/4" - 3000#
 FULL CPLG.

2 1/2" - 3000#
 FULL CPLG.
 3/4" THK. LUG
 PER: MA-335-A
 (2) PLC'S

7/8" STICK OUT
 12" x 16" M.WAY
 W/ 1" x 4" LG.
 GR. 70 RING
 W/ .3125" SA-455
 x 21" x 25"
 ELIP. PAD
 W/ WEEP HOLE

3/8"
 1/4"
 1/4"
 5/16" PAD
 3/8"
 5.6 FULL PEN.

4" SCH 120, SA-106-B
 PIPE x 10" LG.
 W/ 3/8" THK. BLANK-OFF
 W/ 1 1/4" B



NOTE: 1) HYDRO @ 195 PSIG. MIN.

HEADS	500" SA-516-70 2:1 S.E.
	(.466" MIN.)
SHELL	.500" SA-516-70
M.A.W.P.	150 PSIG. @ 180 °F
M.D.M.T.	-20 °F 150 PSIG
ASME. SECTION VIII DIV. 1, 2010 ADD 2011	
X-RAY: RT-2 SPOT G.S. & 100% L.S.	
GALLONS:	6697 WT: 11345 LBS.
SERIAL NO.	
N.B.	

WN-812-B	REV.
	DATE: 3-13-13
FOR:	
HORIZ. WATER/AIR TANK.	
SURFACE AREA = 479.3 SQ. FT.	
INSIDE: POTA-POX	
OUTSIDE: PRIME	
BY: J.G./B.C.	SCALE: 3/8" = 12"
ROY E. HANSON JR. MFG.	
1600 E. WASHINGTON BLVD. LOS ANGELES, CA 90021	