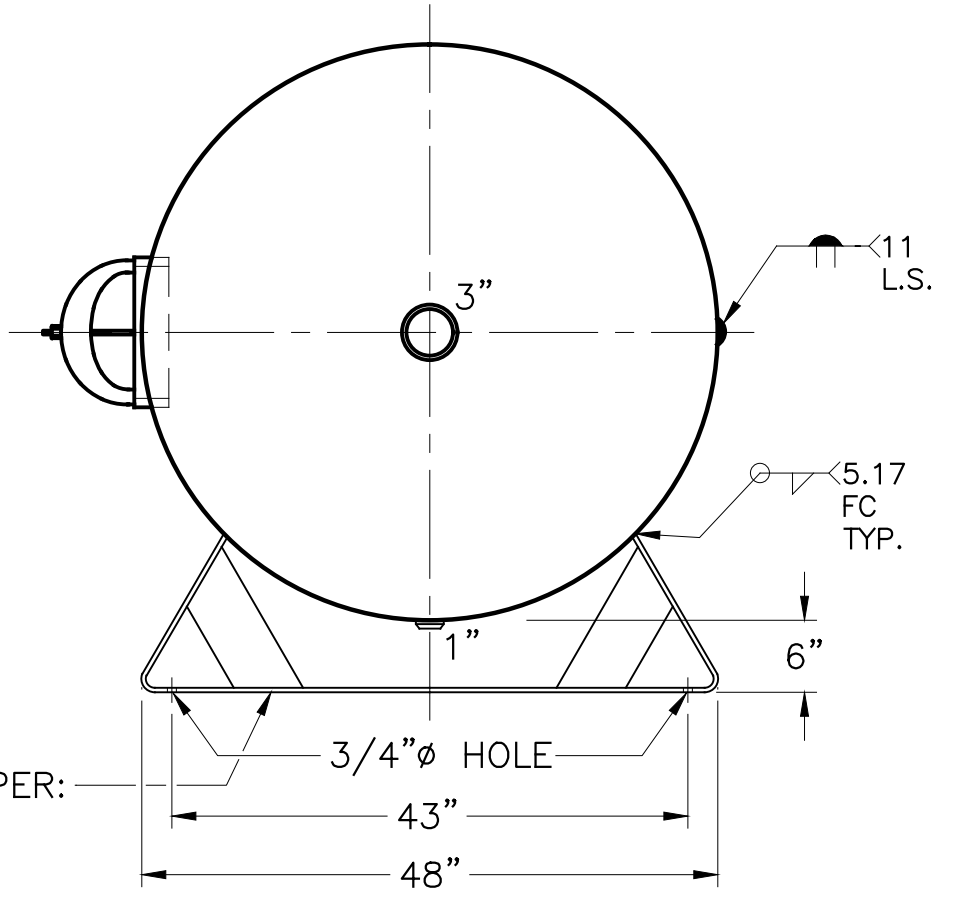
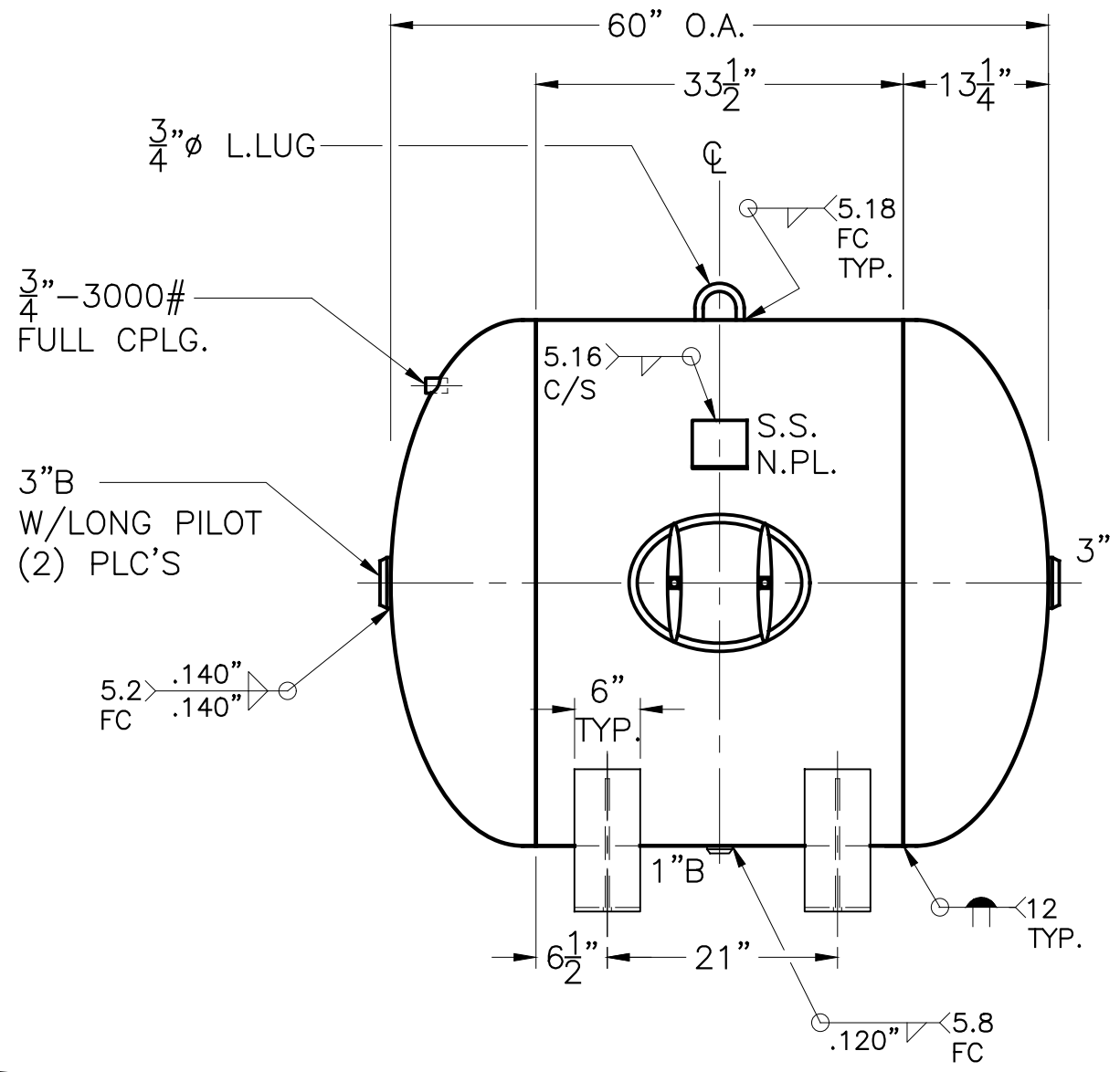
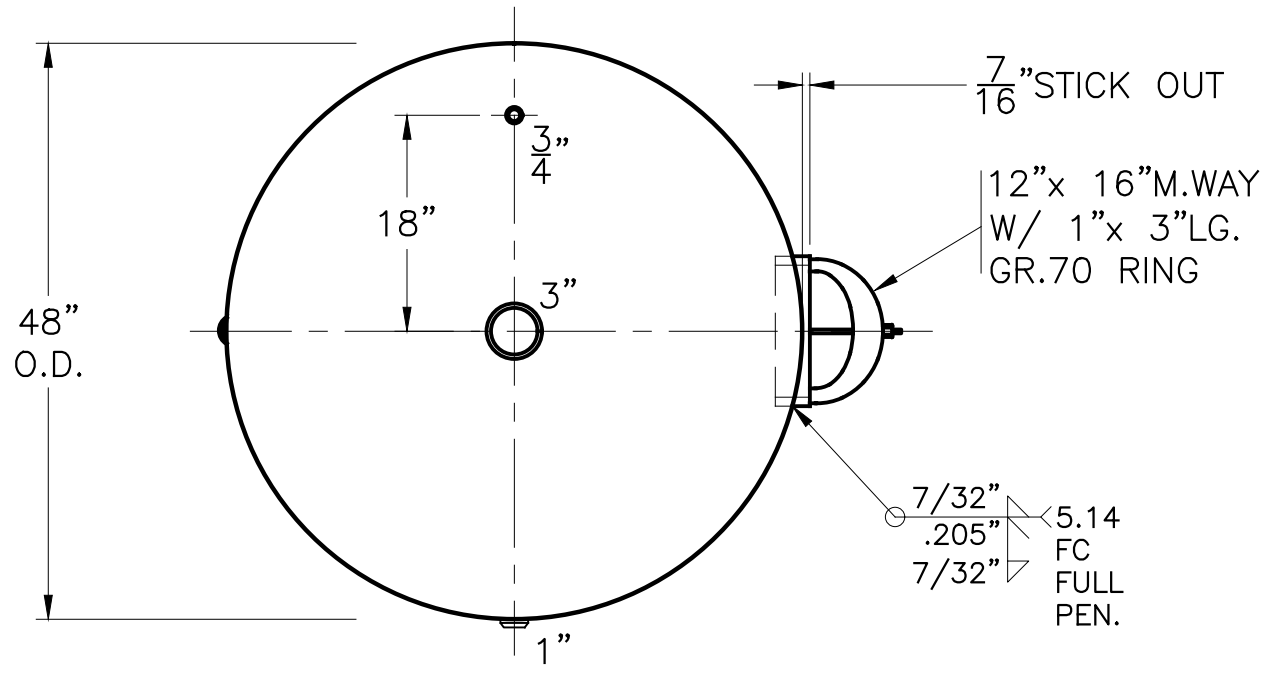


| DATE    | BY |
|---------|----|
| 3-16-18 | JG |
| 3-19-18 | JG |



SUPPORTS PER:  
 MA-102-6C  
 W/NO PADS



**VIEW W/O SUPPORTS**

NOTE: 1) HYDRO TEST @ 195 PSIG. MIN.

|                             |                             |                                 |
|-----------------------------|-----------------------------|---------------------------------|
| HEADS                       | .250" SA-455 2:1 S.E.       |                                 |
|                             | JOGGLE                      |                                 |
| SHELL                       | .205" SA-414-G              |                                 |
|                             | M.A.W.P. 150 PSIG. @ 200 °F |                                 |
| M.D.M.T. -20 °F @ 150 PSIG. |                             | ASME. SECTION VIII DIV. 1, 2017 |
| X-RAY: RT-4 SPOT L.S. ONLY  |                             | GALLONS: 397                    |
| SERIAL NO.                  |                             | WT. 950 LBS.                    |
| N.B.                        |                             |                                 |

|                               |                 |
|-------------------------------|-----------------|
| <b>AI-035-B</b>               | REV. 3-20-18    |
|                               | DATE: 3-16-18   |
| FOR:                          |                 |
| HORIZ. AIR TANK               |                 |
| SURFACE AREA = 72.4 SQ. FT.   |                 |
| INSIDE: UNPAINTED             |                 |
| OUTSIDE: PRIME                |                 |
| BY: J.G./B.C.                 | SCALE: 3/4"=12" |
| <b>ROY E. HANSON JR. MFG.</b> |                 |
| LOS ANGELES, CA 90021         |                 |