

2 1/2" - 6000#  
HALF CPLG.

1/2" - 6000#  
HALF CPLG.  
(2) PLC'S

6" - 300# R.F.S.O. S.S.  
FLG. W/SCH. 80 S.S.  
SMLS PIPE x 8" LG.

1/4" x 3/8" x 5.20  
C/S  
TYP. 1/2"

5.12 7/16" S.S. 7/16"

5.6 C/S FULL PEN. 3/8" .3125" 3/8"

WELDED SADDLES  
PER: AH-662-B-1A

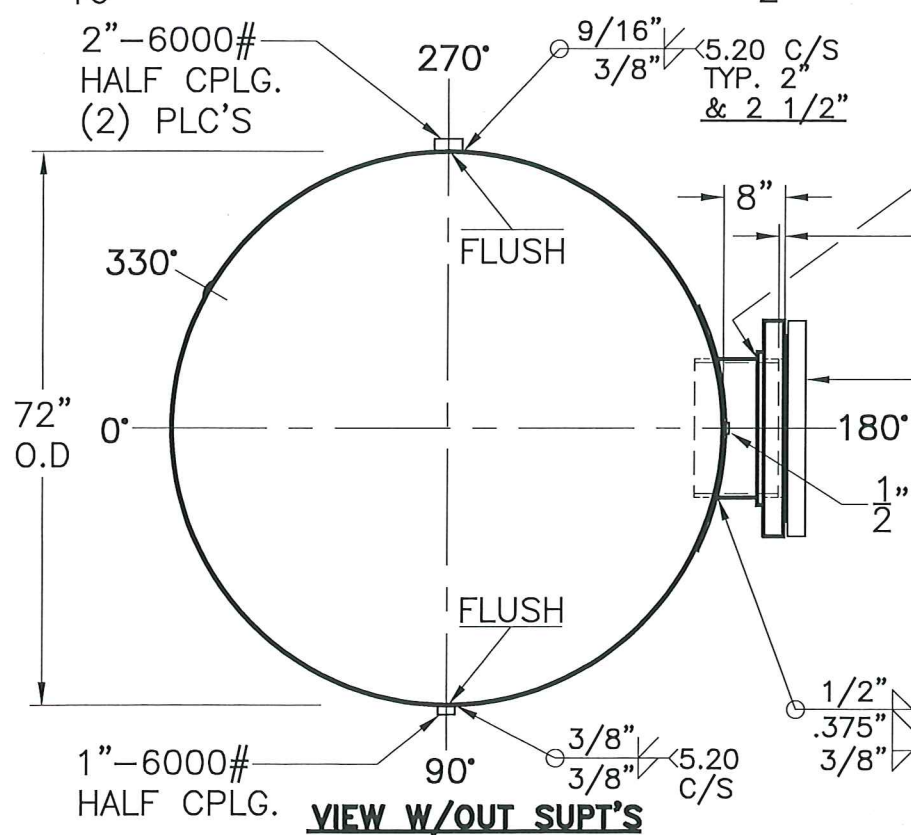
11 L.S. TYP.

5.17 FC TYP.

12 TYP.

- NOTE. 1) HYDRO @ 390 PSIG. MIN.  
2) 6" FLG. & CPLG'S SA-182-304 S.S.  
3) 6" PIPE SA-312-304 SMLS.  
4) ALL CPLG'S INSIDE FLUSH.  
5) BRASS PLUG ALL NOZZLE FOR SHIPPING.

MARK: TOP TANK "A"  
SEE AH-667-B-2B  
FOR STACKING DETAIL



18" - 300# R.F.S.O. C.S.  
FLG. W/ X.HVY. (.500")  
SA-106-C PIPE x 11" LG.  
W/ 3/8" SA-455 x 34" Ø PAD  
W/ DRILL & TAP 1/8" FNPT  
WEEP HOLE  
W/ 18" - 300# R.F. BLIND FLG.  
W/ NEOPRENE GASKET,  
NUTS & BOLTS

SHELL / HEADS	.625" SA-516-70 2:1 S.E. (.533" MIN.)	
	.625" SA-516-70	
M.A.W.P.	300 PSIG.	@ 200 °F
M.D.M.T.	-20 °F	@ 300 PSIG.
ASME. SECTION VIII DIV. 1, 2007 ADD 2009		
X-RAY: RT-2 100% L.S., SPOT ALL G.S.		
GALLONS:	3625	WT. 12104 LBS.
SERIAL NO.		
N.B.		

<b>AH-662-B</b>	REV. 3-3-10
	DATE: 2-24-10
FOR:	HORIZ. BREATHING AIR TANK.
	SURFACE AREA = 375.6 SQ.FT.
	UW-21 (b)
INSIDE:	S.BLAST AND AQUAPON POLY EPOXY (2) PART
OUTSIDE:	S.BLAST AND AQUAPON POLY EPOXY (2) PART
BY: J.G./R.L.	SCALE: 1/2" = 12"
<b>ROY E. HANSON JR. MFG.</b>	
1600 E. WASHINGTON BLVD. LOS ANGELES, CA 90021	

VIEW W/O OUT SUPT'S