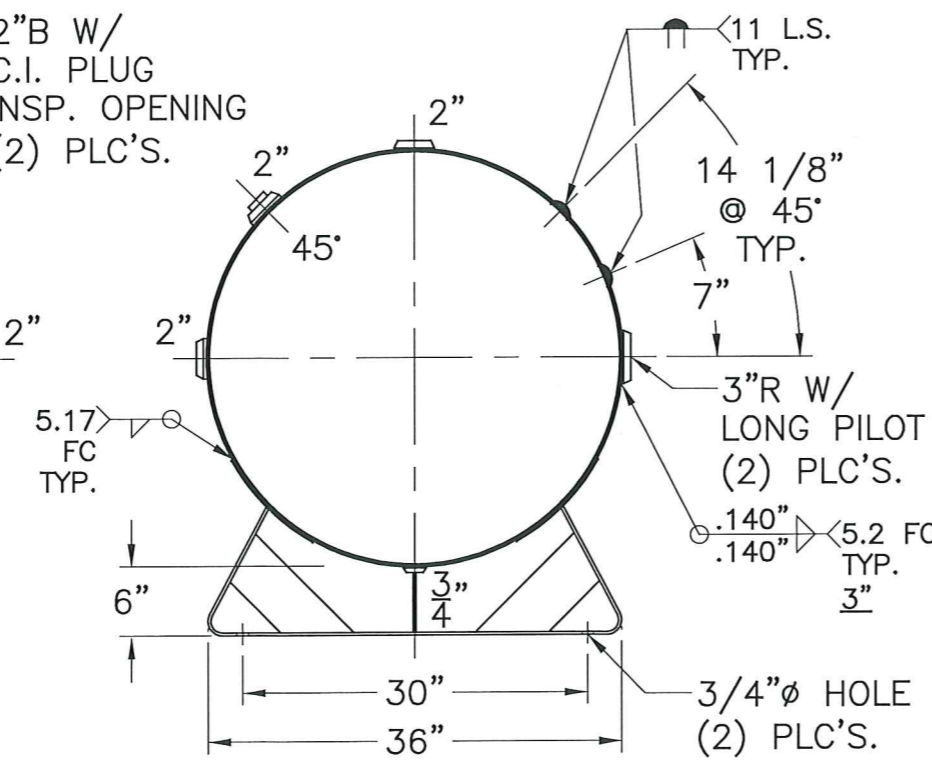


SADDLE PER:
MA-102-4-C
REDLINE 5-27-08
LEFT END VIEW



RIGHT END VIEW

NOTE: 1) HYDRO @ 197 PSIG. MIN.

SHELL / HEADS	.182" SA-455 2:1 S.E.
	.195" SA-455 @ 76 5/8"
	.200" SA-455 @ 81 3/8"
M.A.W.P.	150 PSIG. @ 200 °F
M.D.M.T.	-20 °F @ 150 PSIG.
ASME SECTION VIII DIV. 1, 2007 ADD 2007	
X-RAY:	RT-NO
GALLONS:	750
WT.	1465 LBS.
SERIAL NO.	
N.B.	

AH-570-B	REV.
	DATE: 5-27-08
FOR: HORIZ. AIR TANK SURFACE AREA = 148.0 SQ. FT.	
INSIDE: EPOXY LINED	
OUTSIDE: PRIME	
BY: E.S. / STEVE	SCALE: 3/4"=12"
ROY E. HANSON JR. MFG.	
1600 E. WASHINGTON BLVD. LOS ANGELES, CA 90021	