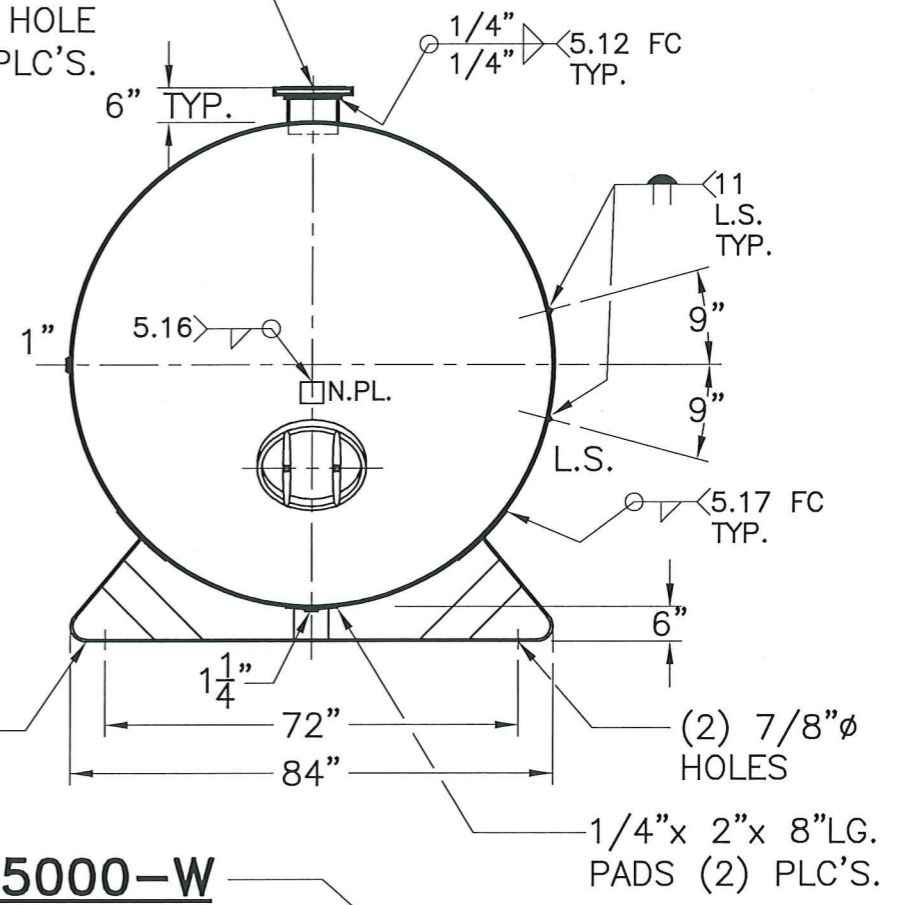


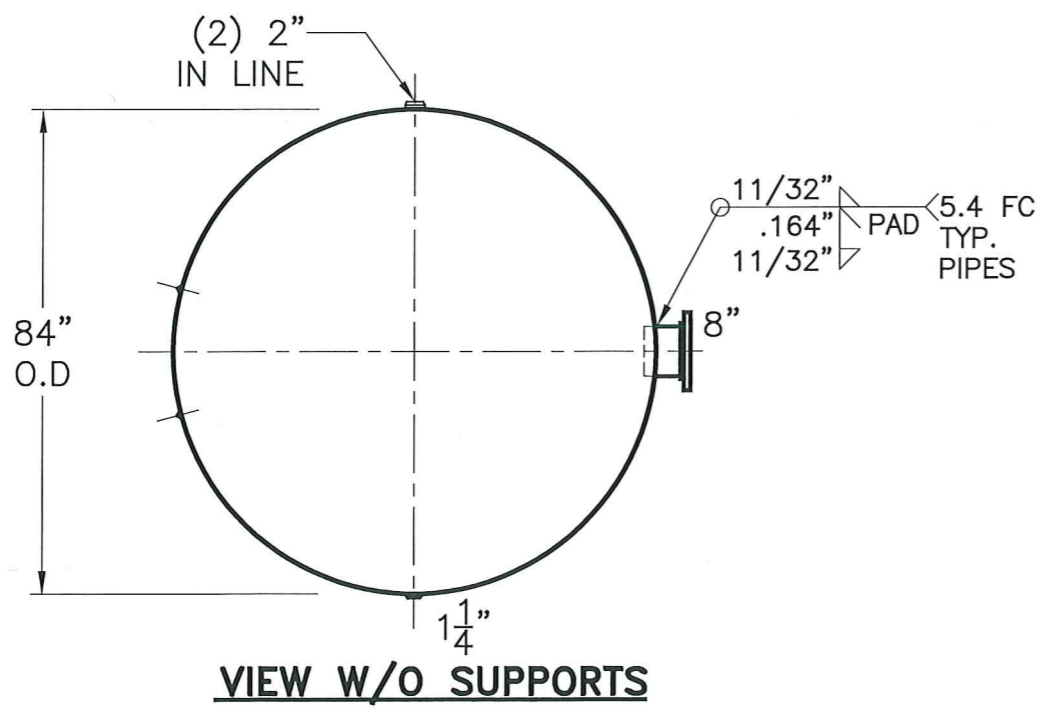
8"-150# R.F.S.O.
 FLG. W/ SCH. 80
 PIPE x 7 13/16" LG.
 W/ .164" SA-414-G
 x 15 1/2" ø PAD
 W/ WEEP HOLE
 (2) PLC'S.



SUPPORTS PER:
 84-HP-500-W-1C

***NOW 84-HM-5000-W**

NOTE: 1) HYDRO @ 219 PSIG. MIN.



SHELL / HEADS	LEFT - .375" SA-455 2:1 S.E. (.355" MIN.)
	RIGHT - .375" SA-455 2:1 S.E. (.360" MIN.)
	.337" SA-455
M.A.W.P.	165 PSIG. @ 400 °F
M.D.M.T.	-20 °F @ 165 PSIG
ASME. SECTION VIII DIV. 1, 2004 ADD 2006	
X-RAY: RT-4 100% L.S. & SPOT ALL G.S.	
GALLONS:	5000 WT. 7477 LBS.
SERIAL NO.	
N.B.	

AH-486-B	REV.
	DATE: 4-16-07
FOR: HORIZ. AIR TANK	
INSIDE: UNPAINTED	
OUTSIDE: PRIME	
BY: E.S. / C.J. SCALE: 3/8"=12"	
ROY E. HANSON JR. MFG.	
1600 E. WASHINGTON BLVD. LOS ANGELES, CA 90021	