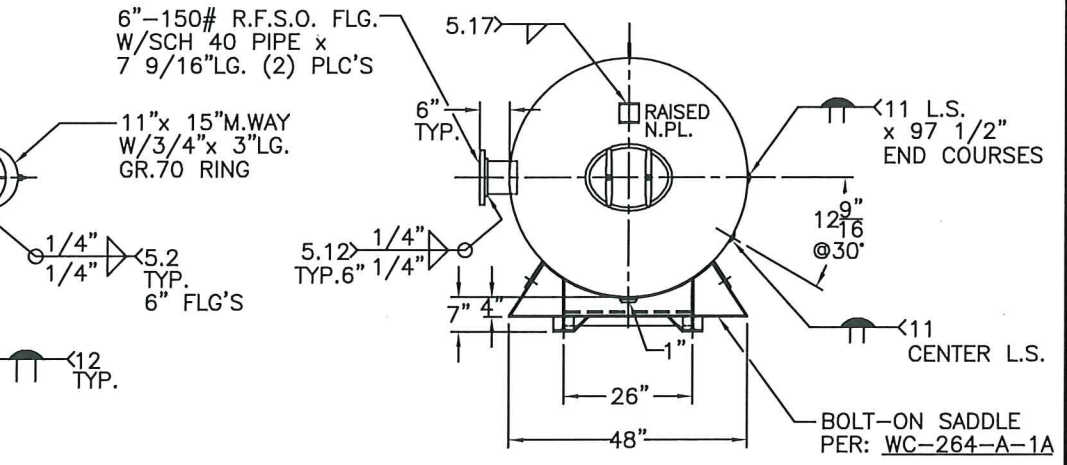
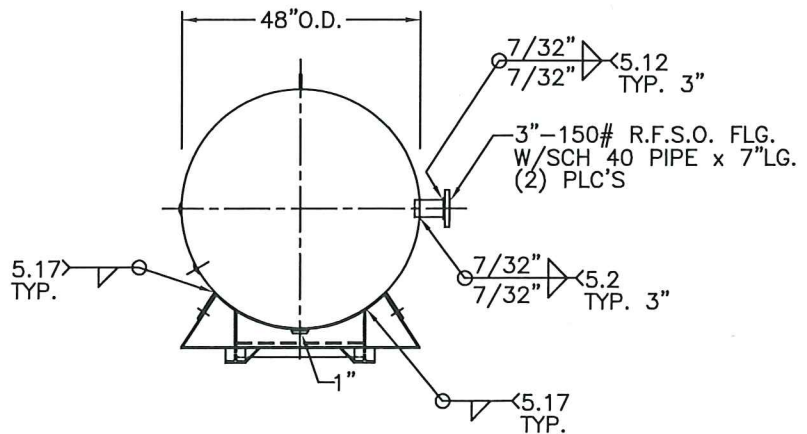


SIDE VIEW

SKID - 12" - 22# W.F.
x 108" MAX. O.A. LG.
(CUT IN HALF LENGTHWISE)
PER: AG-254-C-1B



RIGHT END VIEW



LEFT END VIEW

NOTE: 1) CODE CASE 2290, HYDRO @ 195 PSIG. MIN.

SHELL / HEADS	.250" SA-455 2:1 S.E.	AG-254-C	REV. 12/10/98
	JOGGLE		DATE: 12/3/98
			FOR:
			HORIZ. AIR TANK
	.240" SA-455		INSIDE: NONE
	M.A.W.P. 150 PSIG. @ 400 °F		OUTSIDE: PRIME
	M.D.M.T. -20 °F @ 150PSIG.		
	ASME. SECTION VIII DIV. 1, 1995 ADD 1997		
	X-RAY: RT-NO		BY: J.G. / H.G. SCALE: 1/2"=1'
	GALLONS: 1985	WT. 3,421 LBS.	ROY E. HANSON JR. MFG.
	SERIAL NO.		1924 COMPTON AVE.
	N.B.		LOS ANGELES, CA 90011