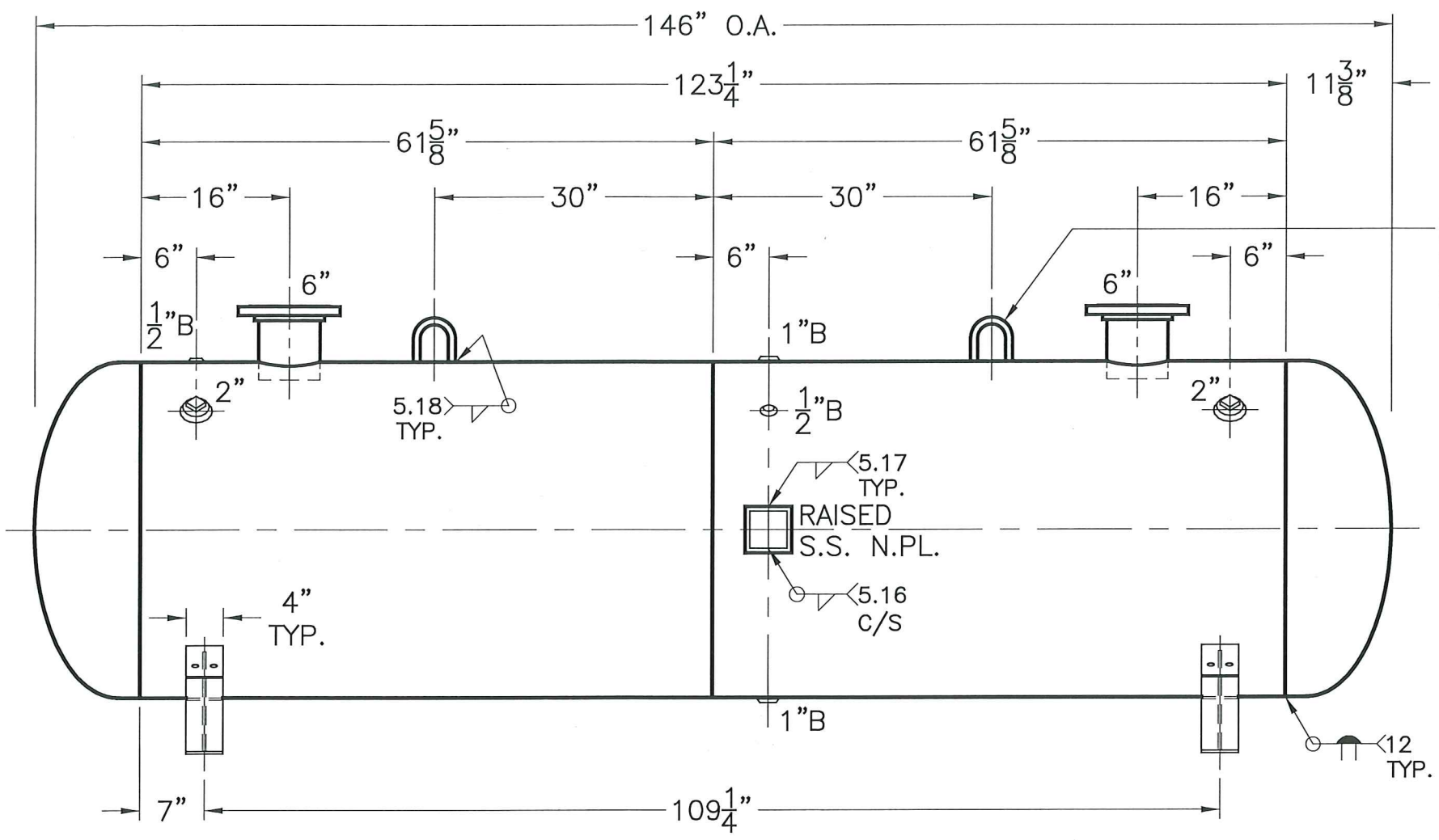
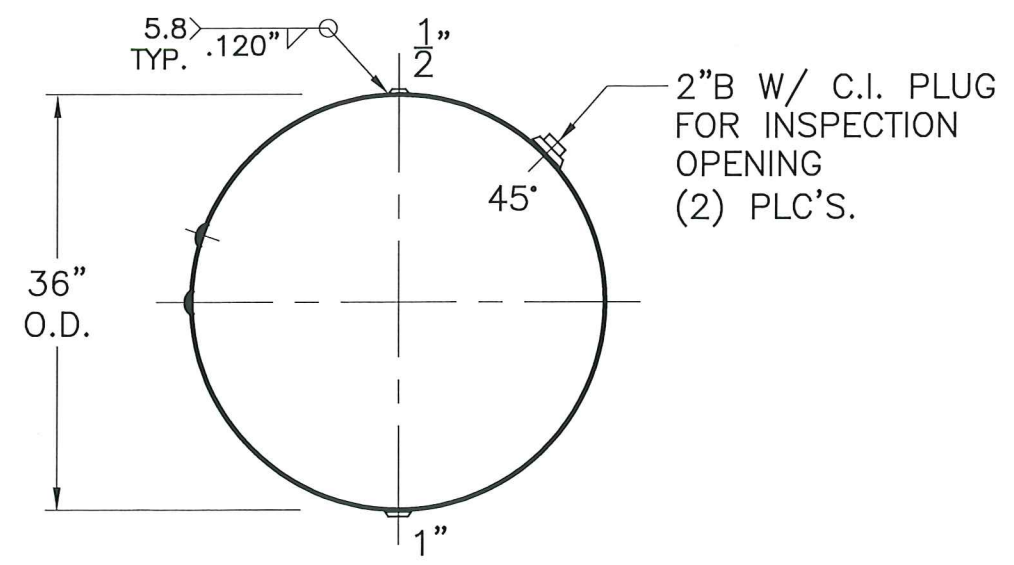
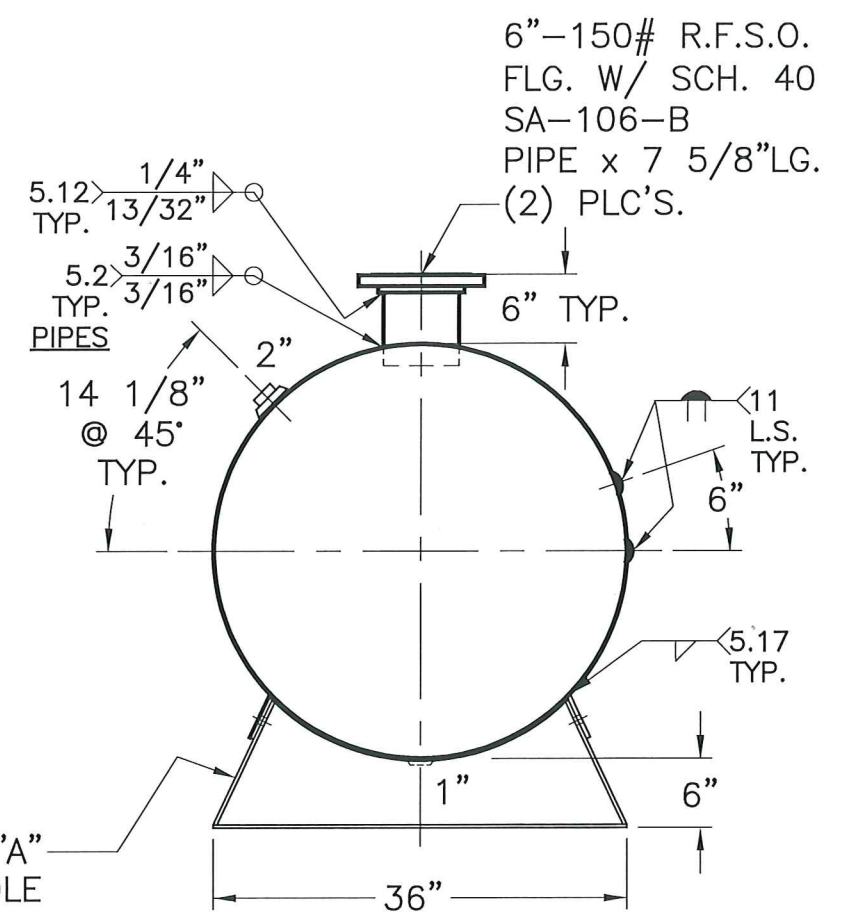


JOB No. _____
 DATE: _____



3/4"φ SOLAR LIFT LUG (2) PLC'S.



VIEW W/O SUPPORTS

NOTE: 1) HYDRO @ 163 PSIG. MIN.

SHELL / HEADS	.189" SA-414-G 2:1 S.E.
	JOGGLE
SHELL / HEADS	.166" SA-414-G
M.A.W.P.	125 PSIG. @ 200 °F
M.D.M.T.	0 °F @ 125 PSIG.
ASME. SECTION VIII DIV. 1, 2017	
X-RAY:	RT-NO
GALLONS:	600
WT.	1018 LBS.
SERIAL NO.	
N.B.	

WO-213-B	REV. 2-8-19
	DATE: 5-6-14
FOR:	
HORIZ. CHILLED WATER TANK	
SURFACE AREA = 120.0 SQ. FT.	
UW-21(b)	
INSIDE: UNPAINTED	
OUTSIDE: PRIME	
BY: J.G./C.J.	
SCALE: 3/4"=12"	
ROY E. HANSON JR. MFG.	
LOS ANGELES, CA 90021	