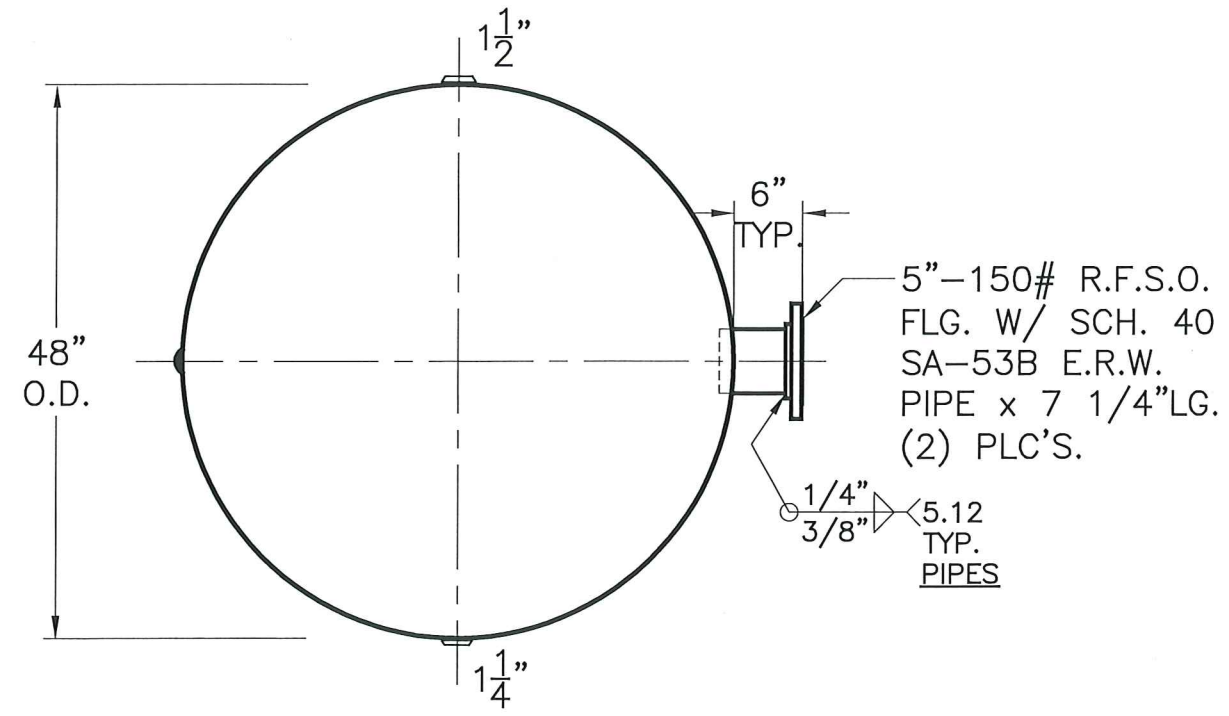
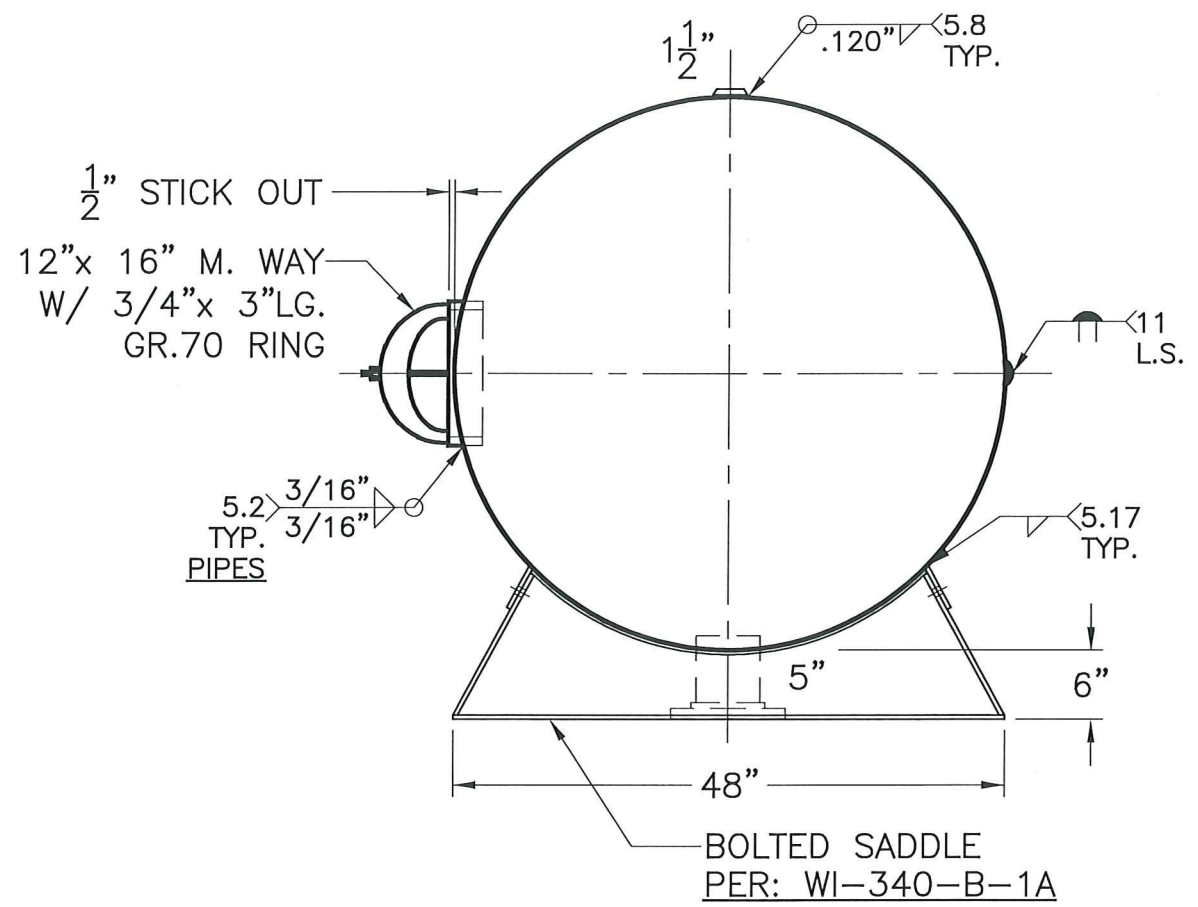
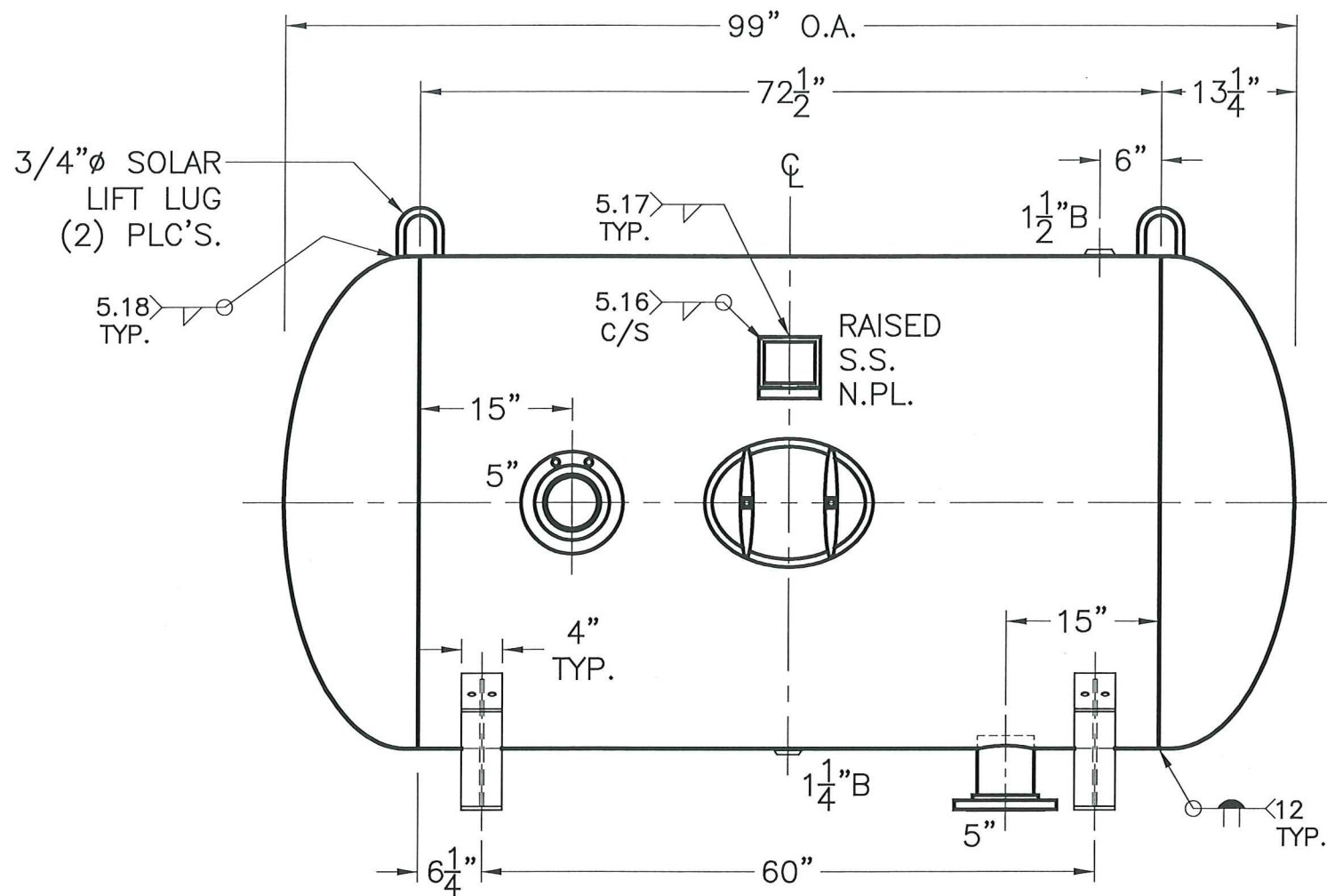


DATE	BY
10-29-13	RH



VIEW W/O SUPPORTS

NOTE: 1) HYDRO @ 130 PSIG. MIN.

SHELL / HEADS	.245" SA-455 2:1 S.E.	
	JOGGLE	
SHELL / HEADS	.175" SA-414-G	
M.A.W.P.	100 PSIG. @	200 °F
M.D.M.T.	0 °F @	100 PSIG.
ASME. SECTION VIII DIV. 1, 2010 ADD 2011		
X-RAY:	RT-NO	
GALLONS:	700	WT. 1298 LBS.
SERIAL NO.		
N.B.		

WO-039-B	REV.
	DATE: 10-29-13
FOR:	
HORIZ. CHILLED WATER TANK	
SURFACE AREA = 112.9 SQ. FT.	
UW-21(b)	
INSIDE: UNPAINTED	
OUTSIDE: SHOP PRIMER	
BY: E.S. / C.J.	SCALE: 3/4"=12"
ROY E. HANSON JR. MFG.	
1600 E. WASHINGTON BLVD. LOS ANGELES, CA 90021	