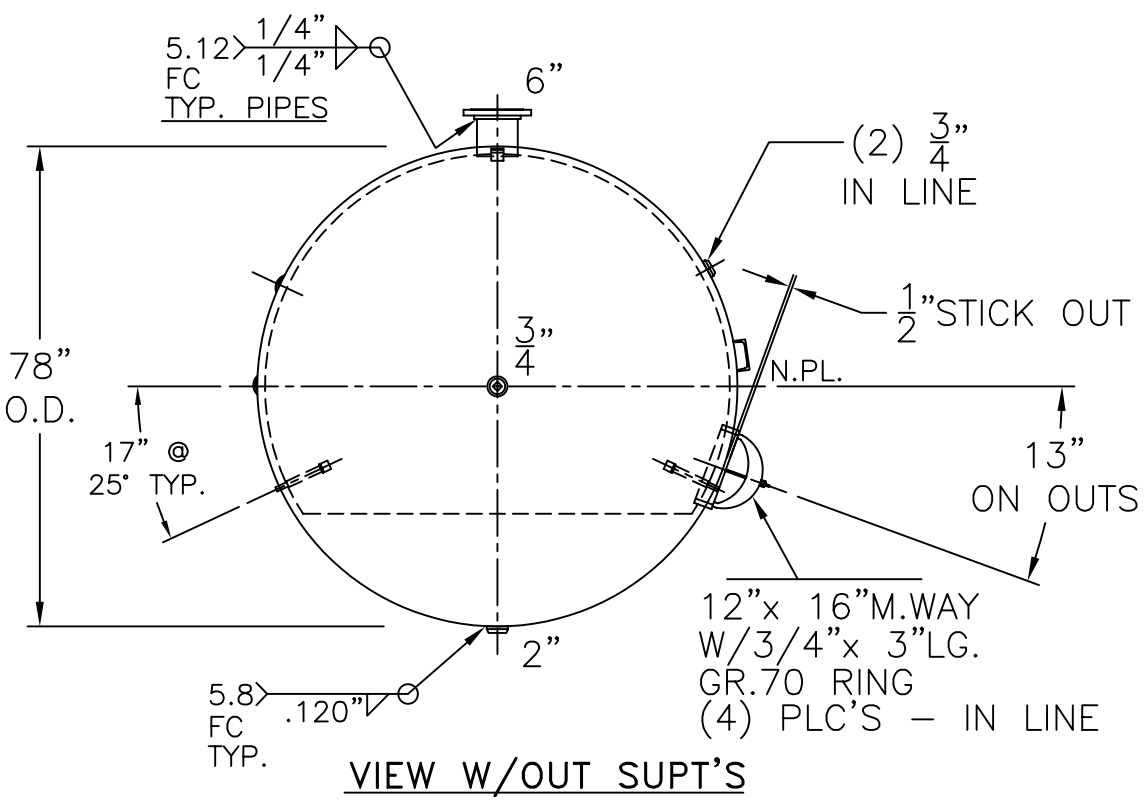


STYLE "B" SADDLES PER: WM-157-B-1A



NOTE: 1) HYDRO @ 134 PSIG. MIN.

HEADS	.3125" SA-455 F. & D.	WM-157-B	REV. 2-8-08
	64"D.R. & 11 3/4"K.R.		DATE: 12-20-07
SHELL	.3125" SA-455	FOR: -	
		HORIZ. CHILLED WATER TANK.	
		SURFACE AREA = 370.7 SQ. FT.	
		INSIDE: UNPAINTED	
M.A.W.P. 100 PSIG. @ 200 °F		OUTSIDE: PRIME	
M.D.M.T. 0 °F 100 PSIG			
ASME. SECTION VIII DIV. 1, 2007 ADD 2007			
X-RAY: RT-NO		BY: J.G./STEVE SCALE: 3/8"=12"	
GALLONS: 4000 WT. 6499 LBS.		ROY E. HANSON JR. MFG.	
SERIAL NO.		1600 E. WASHINGTON BLVD.	
N.B.		LOS ANGELES, CA 90021	