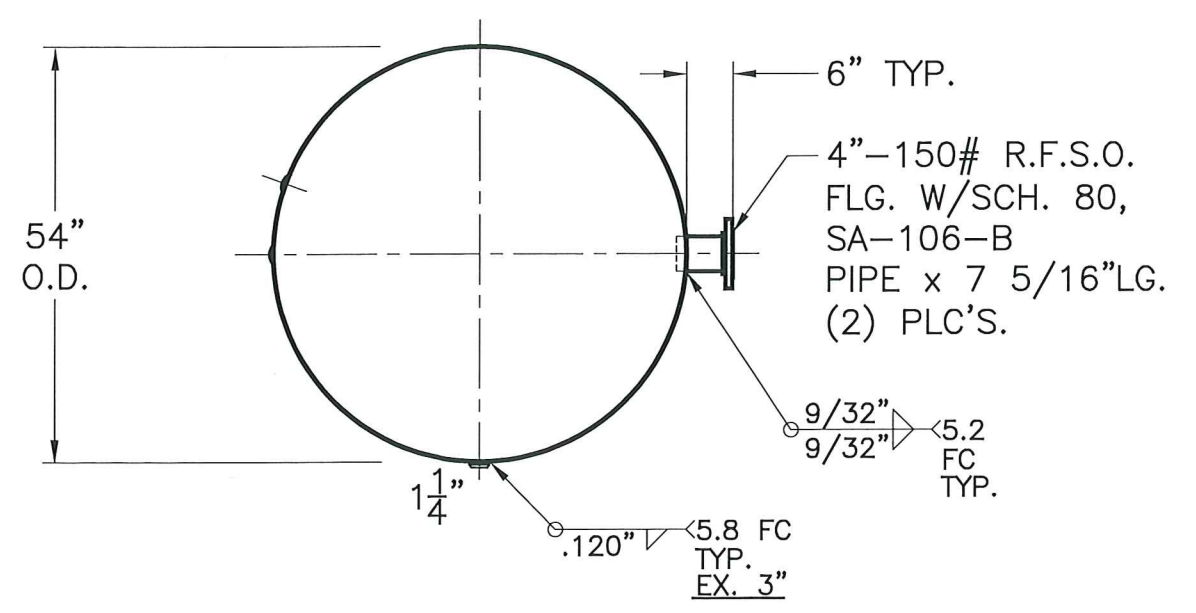
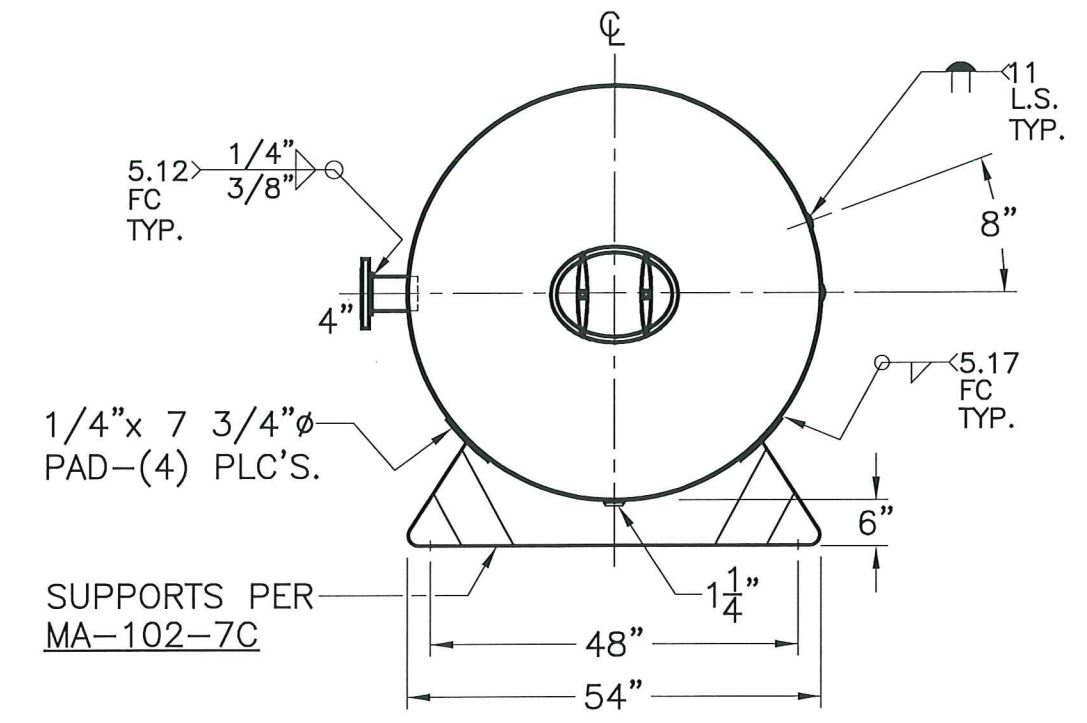
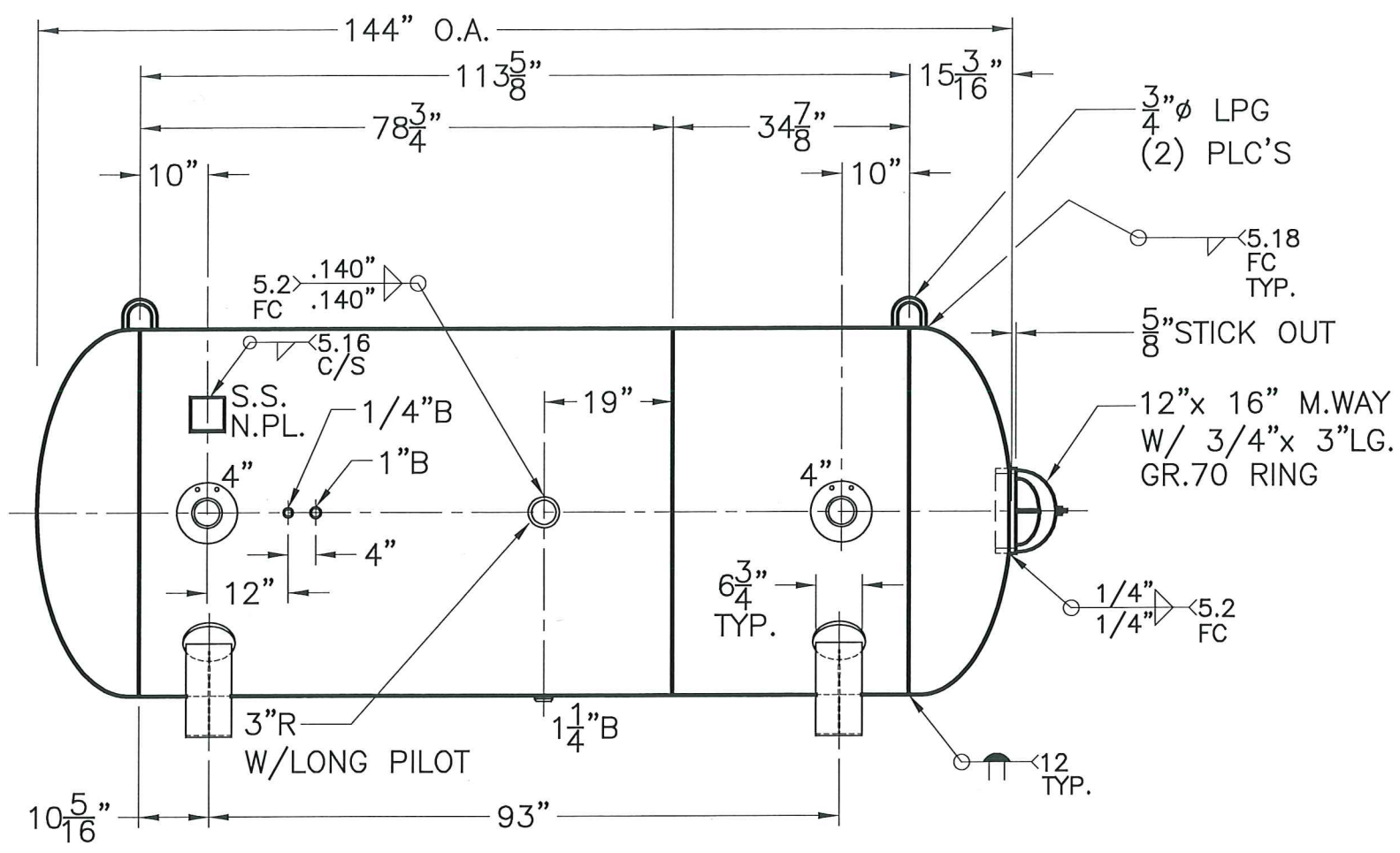


DATE	BY
5-22-13	R.H.
6-21-13	R.H.



**END VIEW W/O SUPPORTS**

NOTE. 1) HYDRO @ 195 PSIG. MIN.

HEADS	.250" SA-455 2:1 S.E.
	JOGGLED - 168 7/8" MINOR
SHELL	.252" SA-455
M.A.W.P.	150 PSIG. @ 400 °F
M.D.M.T.	-20 °F @ 150 PSIG.
ASME. SECTION VIII DIV. 1, 2010 ADD. 2011	
X-RAY:	RT-4 SPOT L.S. ONLY
GALLONS:	1300
WT.	2270 LBS.
SERIAL NO.	
N.B.	

<b>AH-840-B</b>	REV. 6-21-13
	DATE: 5-21-13
FOR:	
HORIZ. AIR TANK	
SURFACE AREA = 180.7 SQ. FT.	
UW-21 (b)	
INSIDE: UNPAINTED	
OUTSIDE: PRIME	
BY: J.G./R.V.	SCALE: 1/2"=12"
<b>ROY E. HANSON JR. MFG.</b>	
1600 E. WASHINGTON BLVD. LOS ANGELES, CA 90021	