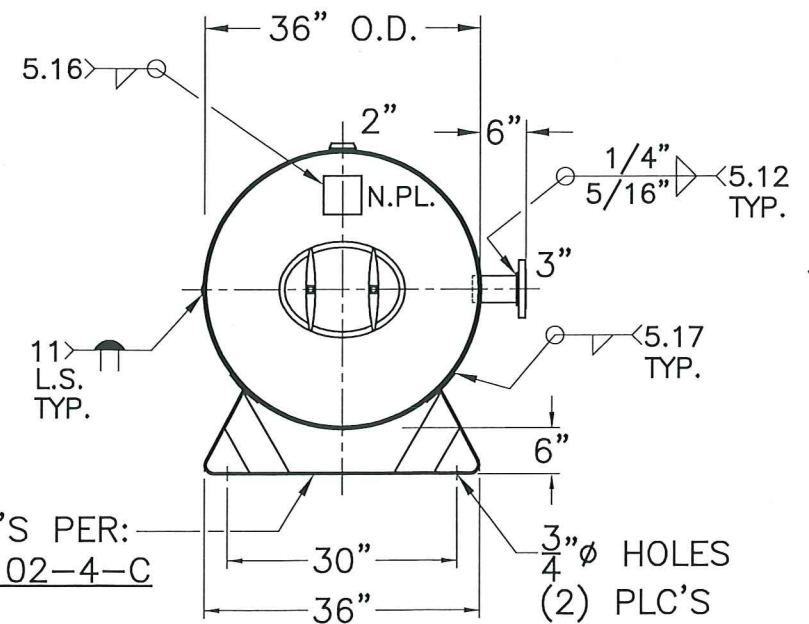
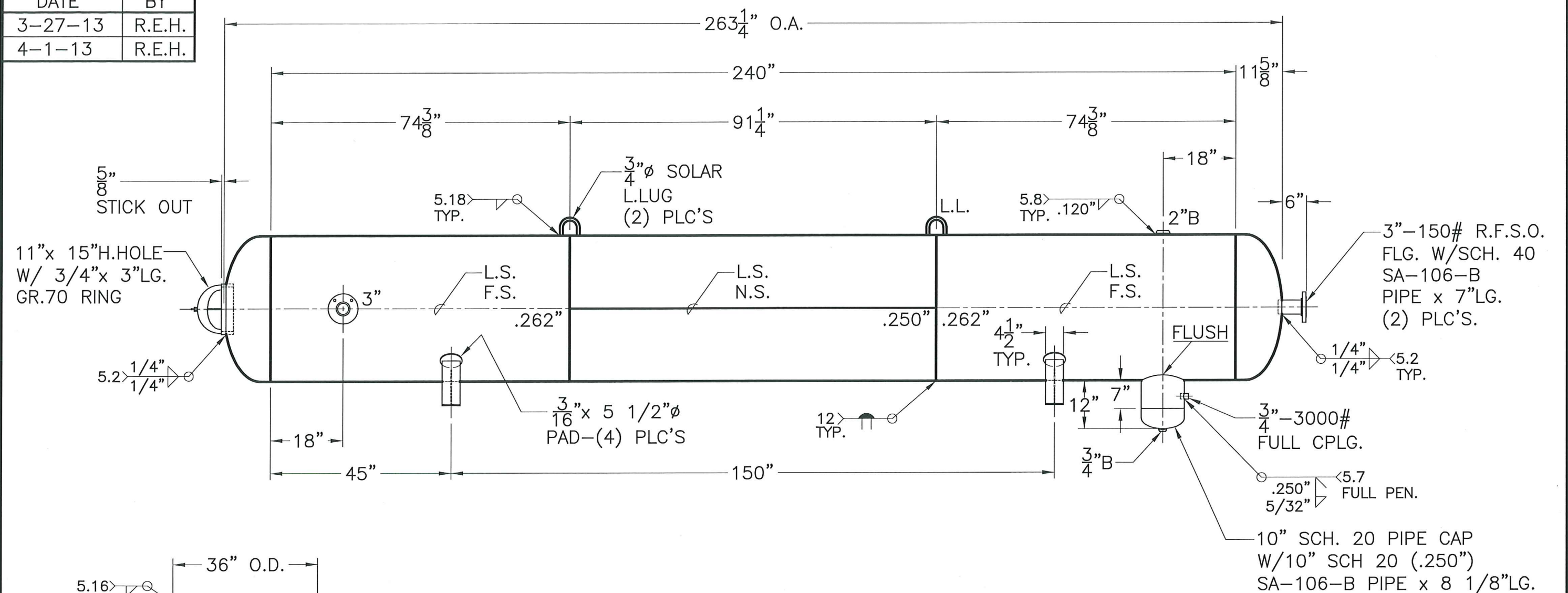
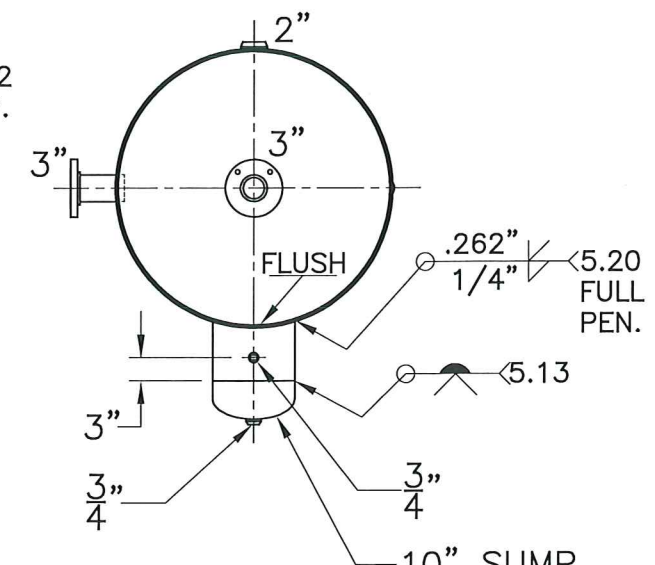


DATE	BY
3-27-13	R.E.H.
4-1-13	R.E.H.



LEFT VIEW



RIGHT VIEW

SUPT'S PER:  
MA-102-4-C

NOTE: 1) HYDRO @ 195 PSIG. MIN.

HEADS	.250" SA-455 2:1 S.E.
	JOGGLE
SHELL	ENDS - .262" SA-455
	CENTER - .250" SA-455
M.A.W.P.	150 PSIG. @ 200 °F
M.D.M.T.	-20 °F @ 150 PSIG.
ASME. SECTION VIII DIV. 1, 2010 ADD 2011	
X-RAY:	RT-NO
GALLONS:	1092
WT.	2481 LBS.
SERIAL NO.	
N.B.	

<b>AH-833-B</b>	REV. 4-1-13
	DATE: 3-27-13
FOR:	
AIR TANK	
SURFACE AREA = 210.5 SQ. FT.	
UW-21(b)	
INSIDE: EPOXY LINED	
OUTSIDE: PRIME	
BY: J.G./B.C.	SCALE: 1/2"=12"
<b>ROY E. HANSON JR. MFG.</b>	
1600 E. WASHINGTON BLVD. LOS ANGELES, CA 90021	