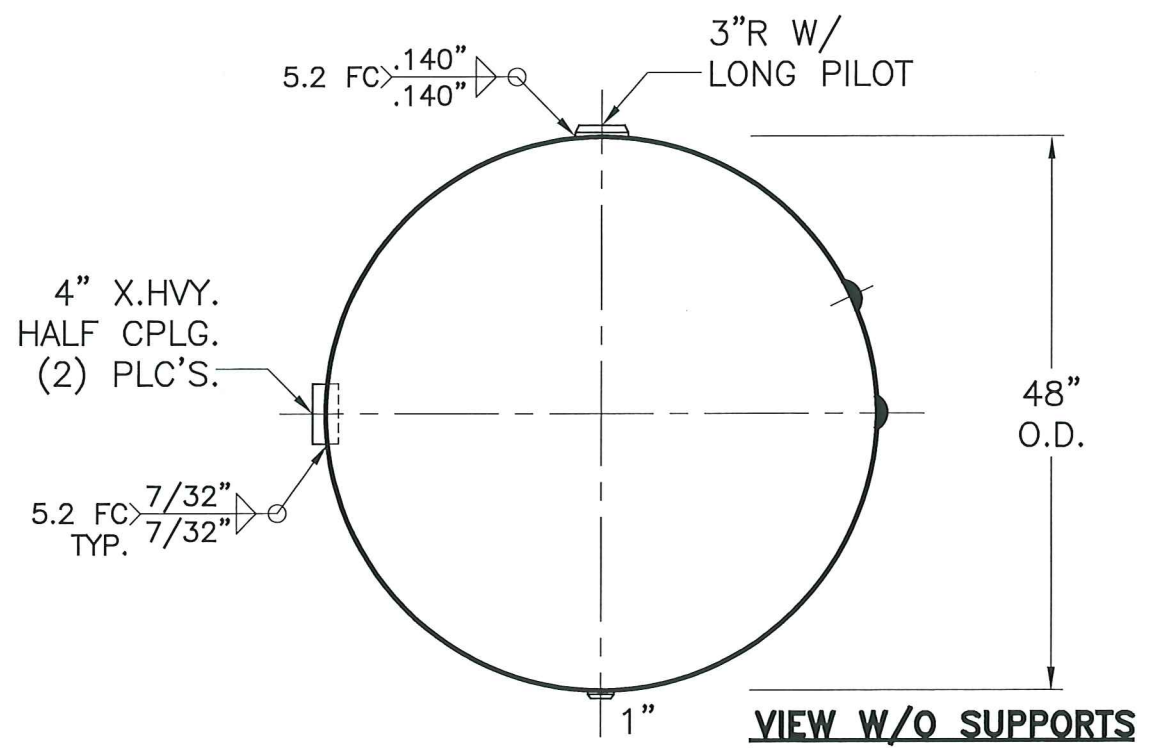
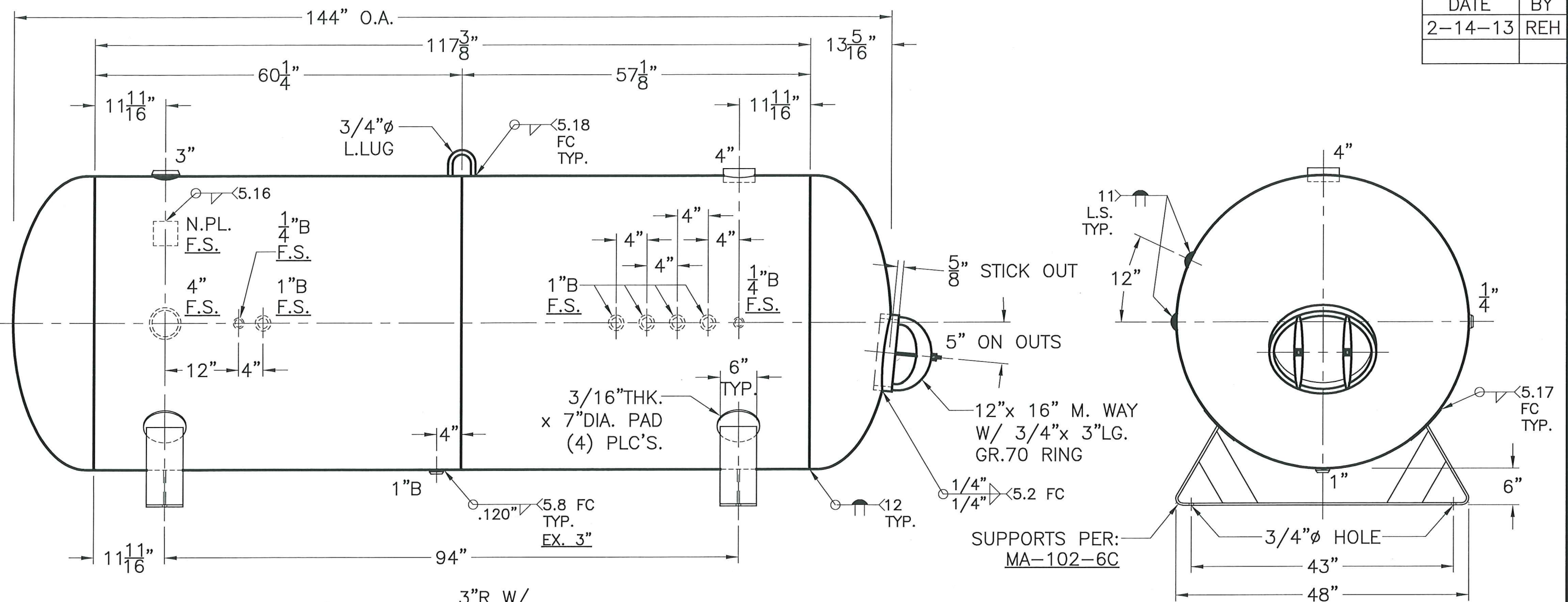


DATE	BY
2-14-13	REH



NOTE: 1) HYDRO TEST @ 163 PSIG. MIN.

SHELL / HEADS	.250" SA-414-G 2:1 S.E.
	JOGGLE
	.205" SA-455
	M.A.W.P. 125 PSIG. @ 200 °F
	M.D.M.T. -20 °F @ 125 PSIG.
	ASME. SECTION VIII DIV. 1, 2010 ADD 2011
	X-RAY: RT-NO
	GALLONS: 1060 WT. 1775 LBS.
	SERIAL NO.
	N.B.

AH-829-B	REV.
	DATE: 2-14-13
FOR:	
HORIZ. AIR TANK.	
SURFACE AREA = 160.3 SQ. FT.	
INSIDE: EPOXY LINED	
OUTSIDE: PRIME	
BY: E.S. / STEVE   SCALE: 3/4"=12"	
ROY E. HANSON JR. MFG.	
1600 E. WASHINGTON BLVD. LOS ANGELES, CA 90021	