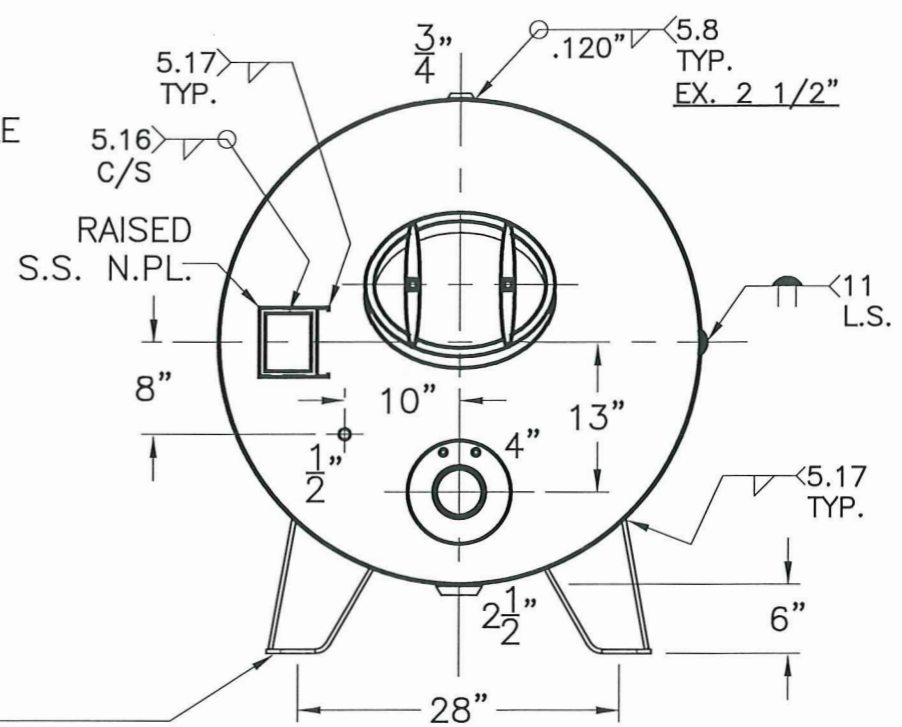
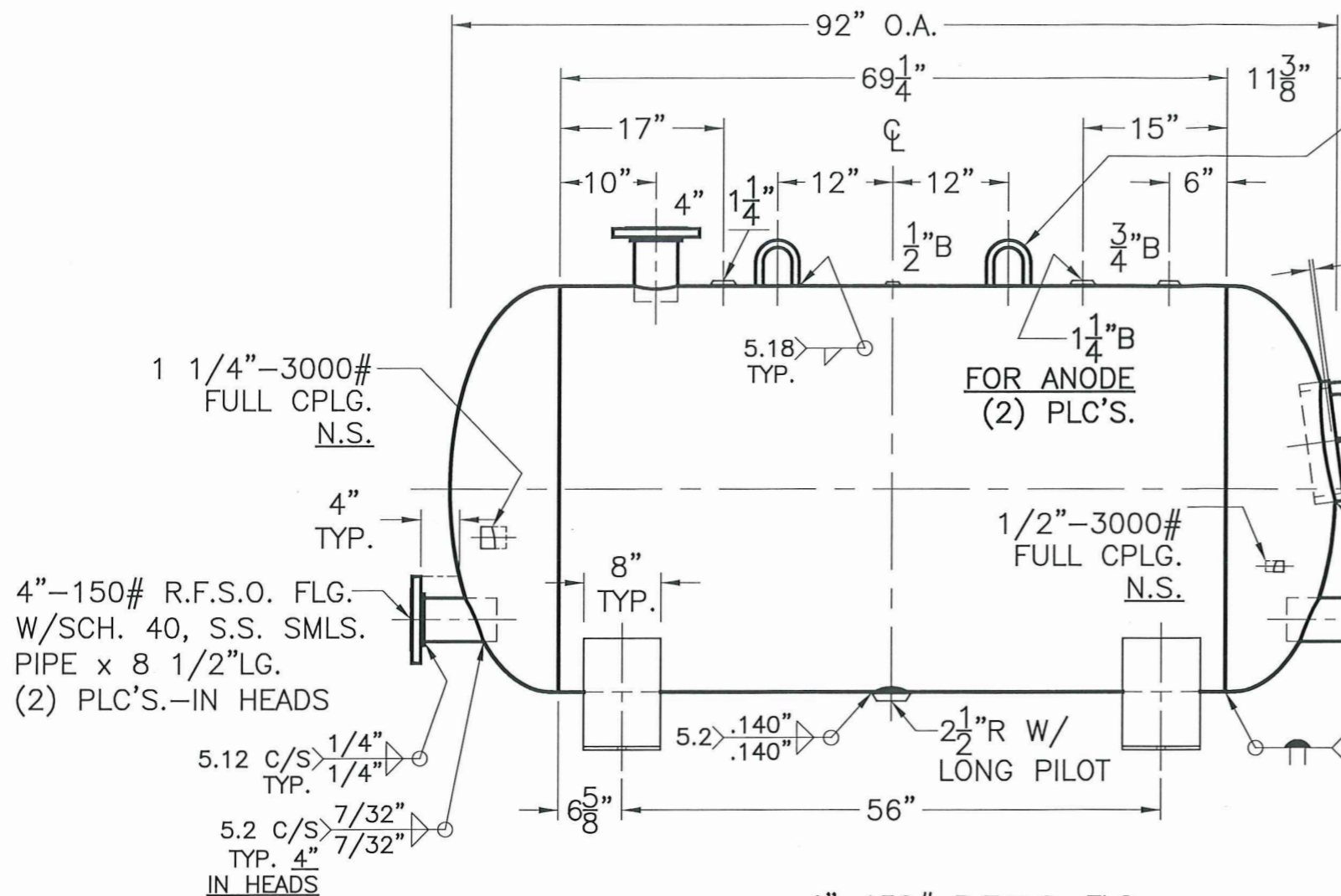
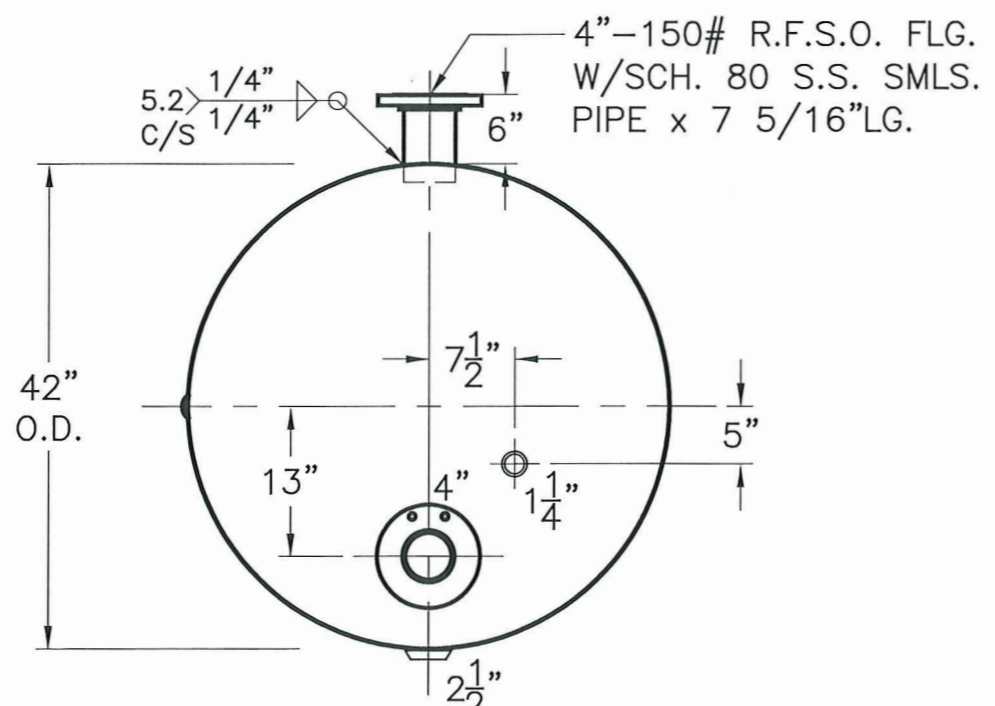


JOB: _____
 DATE: _____



SOLAR FEET PER: MB-770-B



VIEW W/O SUPPORTS

- 4) 4-1-04 PROOF TEST.
- 3) ALL PIPES SA-312-304 SMLS.
- 2) HYDRO @ 225 PSIG. MIN. TO 235 PSIG. MAX.
- NOTE: 1) INSTALL (2) 1 5/16" x 36" LG. RIGID MAG. ANODES.

SHELL / HEADS	.205" SA-414-G 2:1 S.E.	WP-118-B	REV: 10-22-18
	JOGGLE		DATE: 12-6-16
SHELL / HEADS	.175" SA-414-G	FOR:	
	M.A.W.P. 150 PSIG. @ 210 °F	HORIZ. HOT WATER TANK	
ASME SECTION IV 2017	X-RAY: RT-NO / H.L.W.	SURFACE AREA = 91.4 SQ. FT.	
GALLONS: 499	WT. 1100 LBS.	INSIDE: GLASS LINED (5 MILLS MIN.)	
SERIAL NO.		OUTSIDE: S. BLAST, PRIME & 3"(R12.5) FIBERGLASS W/ ALUMINUM JACKET	
N.B.		BY: J.G./H.D. SCALE: 3/4"=12"	
		ROY E. HANSON JR. MFG.	
		LOS ANGELES, CA 90021	