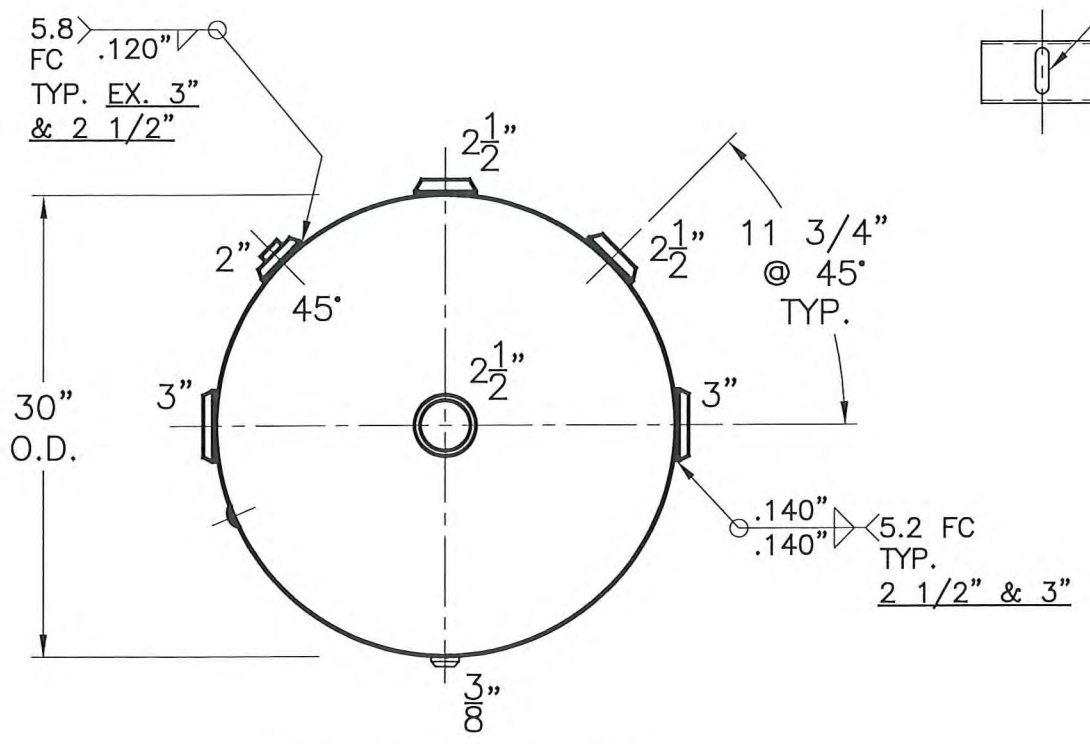
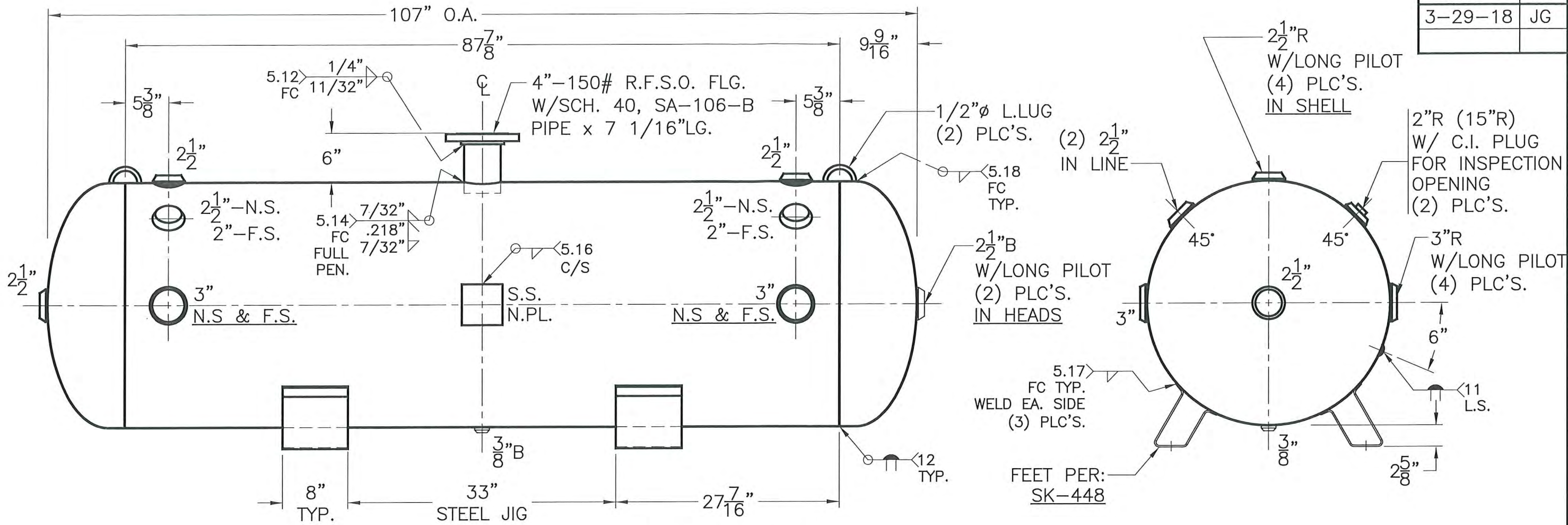


DATE	BY
3-29-18	JG



VIEW W/O SUPPORTS

NOTE: 1) HYDRO @ 260 PSIG. MIN.

HEADS	.218" SA-455 2:1 S.E.	AI-039-B	REV.
	JOGGLE		DATE: 3-29-18
SHELL	.218" SA-455	FOR:	
		HORIZ. AIR TANK	
M.A.W.P. 200 PSIG. @ 400 °F		SURFACE AREA = 72.4 SQ. FT.	
M.D.M.T. 0 °F @ 200 PSIG.		UW-21(b)	
ASME SECTION VIII DIV. 1, 2017		INSIDE: UNPAINTED	
X-RAY: RT-NO		OUTSIDE: S. BLAST & PRIME	
GALLONS: 300 WT. 790 LBS.		BY: J.G./C.J. SCALE: 1"=12"	
SERIAL NO.		ROY E. HANSON JR. MFG.	
N.B.		LOS ANGELES, CA 90021	