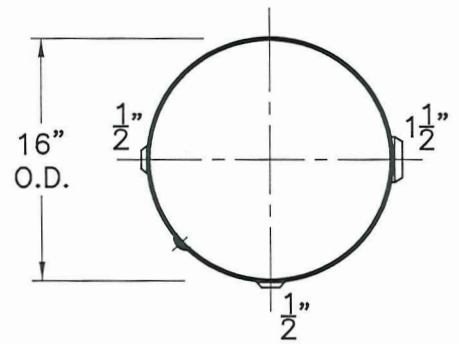
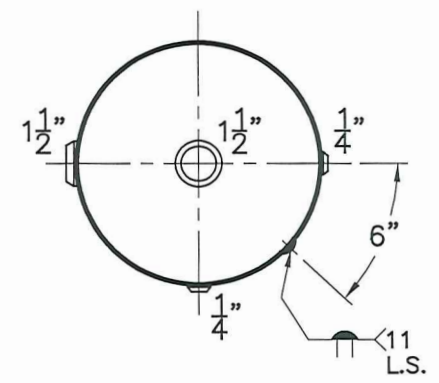
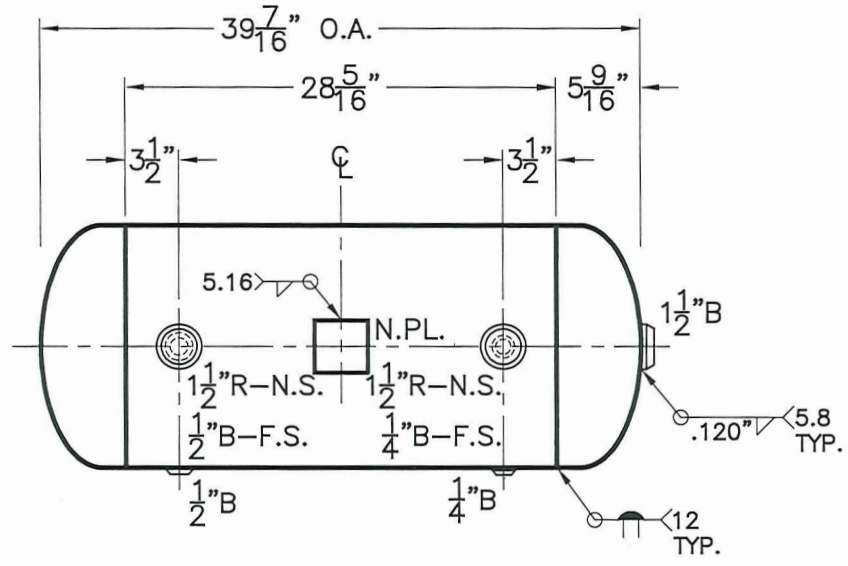


DATE	BY
7-18-12	REH



NOTE: 1) HYDRO @ 260 PSIG. MIN.

SHELL / HEADS	.149" SA-414-G 2:1 S.E.	AE-688-A	REV. 12-26-13
	JOGGLE - .129" OFFSET		DATE: 11-6-92
			FOR:
			HORIZ. AIR TANK
	.136" SA-414-G		SURFACE AREA = 14.9 SQ. FT.
			INSIDE: NONE
M.A.W.P. 200 PSIG. @ 400 °F			OUTSIDE: PRIME
M.D.M.T. -20 °F @ 200 PSIG.			
ASME. SECTION VIII DIV. 1, 2013			
X-RAY: RT-NO			BY: E.S. / STEVE SCALE: 1"=12"
GALLONS: 30	WT. 94 LBS.	ROY E. HANSON JR. MFG.	
SERIAL NO.		1600 E. WASHINGTON BLVD.	
N.B.		LOS ANGELES, CA 90021	