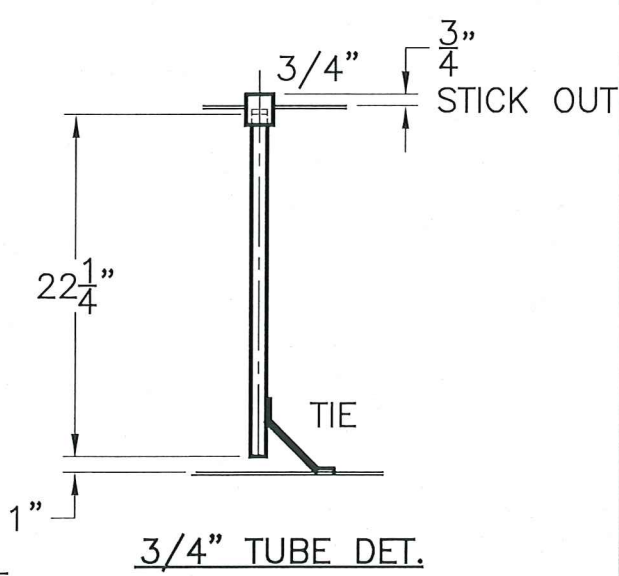
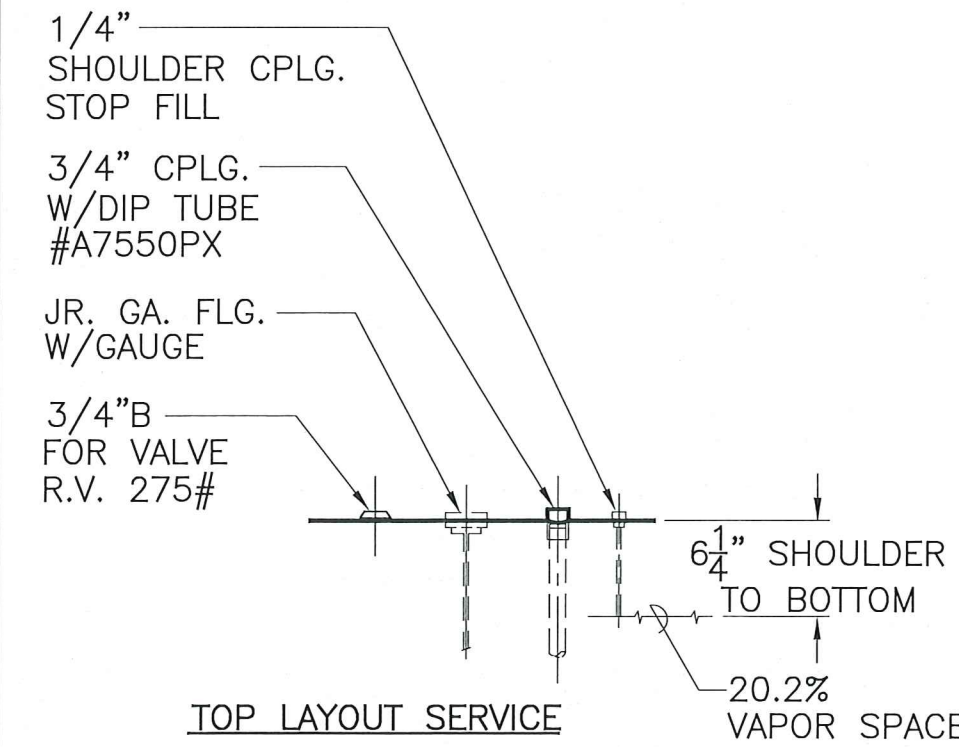
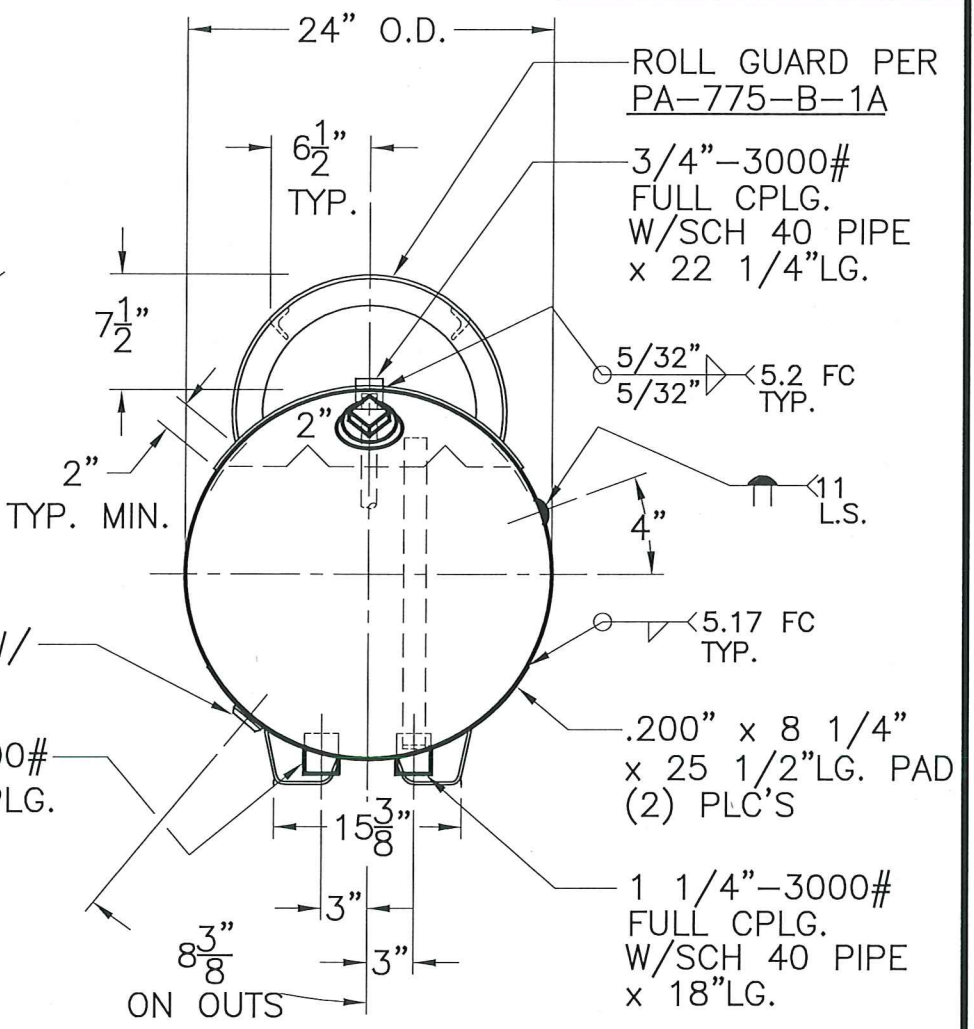
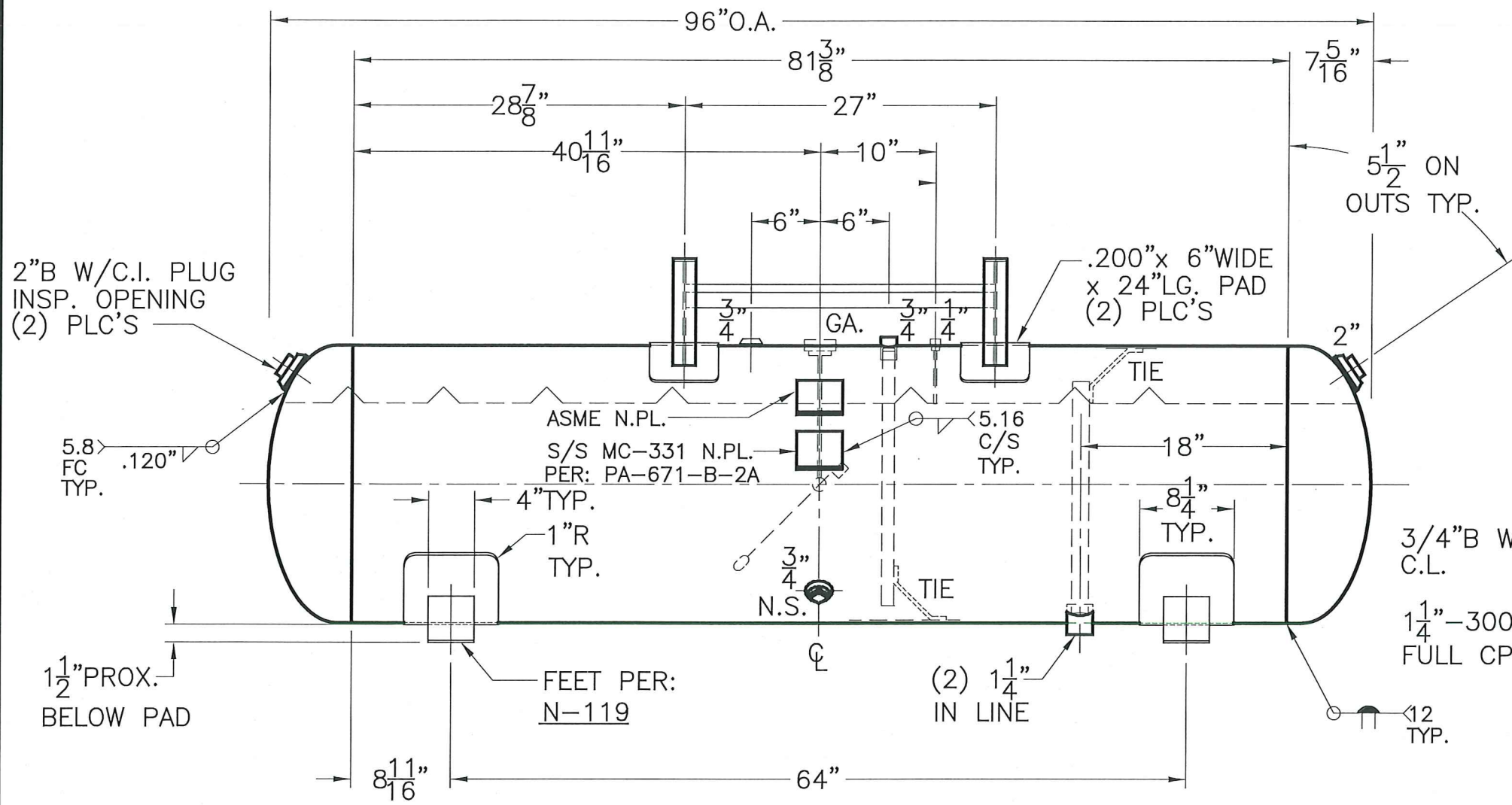


JOB No. \_\_\_\_\_  
DATE: \_\_\_\_\_



NOTE: 1) HYDRO @ 325 PSIG. MIN.  
2) D.T. = 6.3"

SHELL / HEADS	.164" SA-414-G 2:1 S.E.	PA-898-B	REV. 12-18-19
	JOGGLE		DATE: 8-12-13
SHELL / HEADS	.218" SA-455	FOR:	
		MC-331 HORIZ. PROPANE TANK	
M.A.W.P. 250 PSIG. @ 200 °F		SURFACE AREA = 52.9 SQ. FT.	
M.D.M.T. -20 °F @ 250 PSIG.		1390.0 C.F.M. REQ'D (NOTE: 2)	
ASME. SECTION VIII DIV. 1, 2019		INSIDE: UNPAINTED, DEHYDRATED	
X-RAY: RT-NO		OUTSIDE: PRIME	
GALLONS: 175		WT. 550 LBS.	BY: J.G./B.C.
SERIAL NO.		SCALE: 1"=12"	
N.B.		<b>ROY E. HANSON JR. MFG.</b>	
		LOS ANGELES, CA 90021	