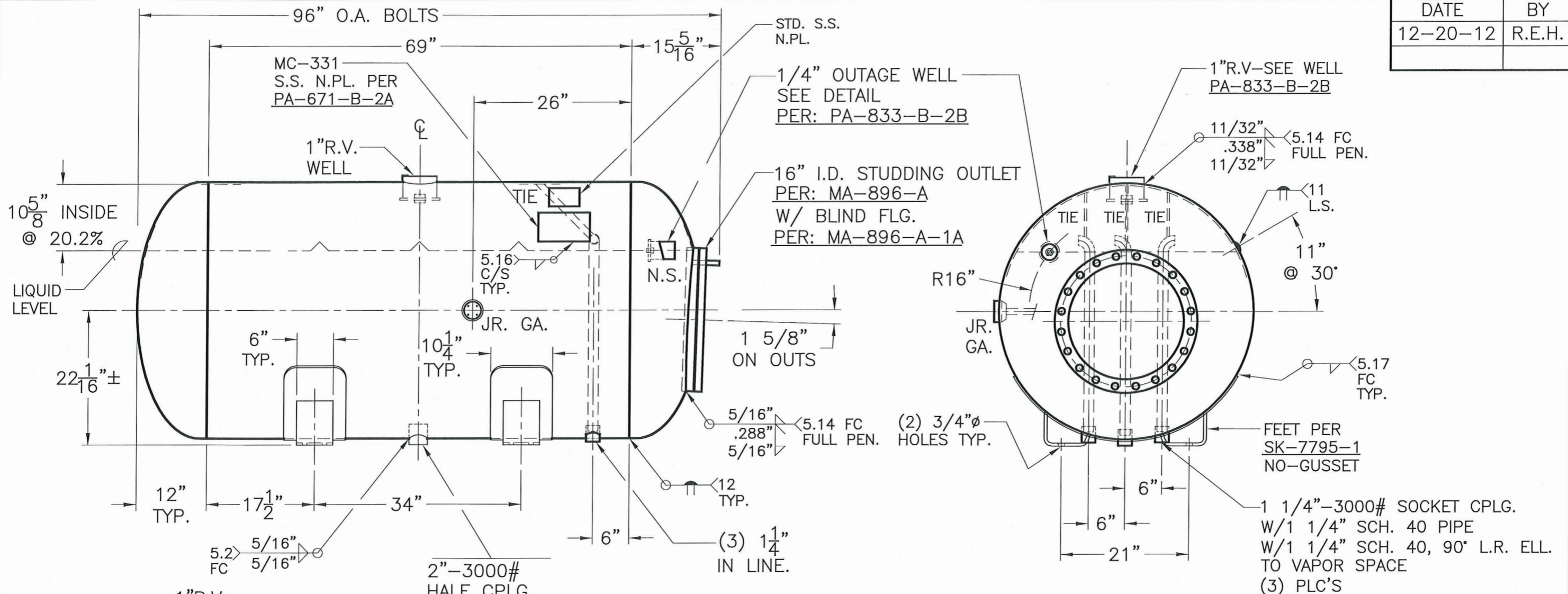


DATE	BY
12-20-12	R.E.H.



- NOTES: 1) HYDRO @ 375 PSIG. MIN.
2) MC-331 OLD RULES.
3) HANSON SUPPLIES R.V, OUTAGE & F.G.

LEFT END VIEW W/OUT SUPT'S

HEADS	.288" SA-455 2:1 S.E.
	.308 OFFSET
SHELL	.338 SA-455
M.A.W.P.	250 PSIG. @ 200 °F
M.D.M.T.	0 °F @ 250 PSIG.
ASME SECT. VIII DIV. 1, 2015	
X-RAY: RT-4 SPOT L.S. & HDS. G.S.	
GALLONS:	499
WT.	1644 LBS.
SERIAL NO.	
N.B.	

PA-881-B	REV. 7-27-17
	DATE: 7-18-11
FOR:	
MC-331, HORIZ. PROPANE TANK SURFACE AREA = 92.4 SQ. FT. CFM REQ'D. = 2193.6	
INSIDE: UNPAINTED. DEHYDRATE	
OUTSIDE: PRIME	
BY: J.G./B.C.	SCALE: 3/4"=12"
ROY E. HANSON JR. MFG.	
LOS ANGELES, CA 90021	