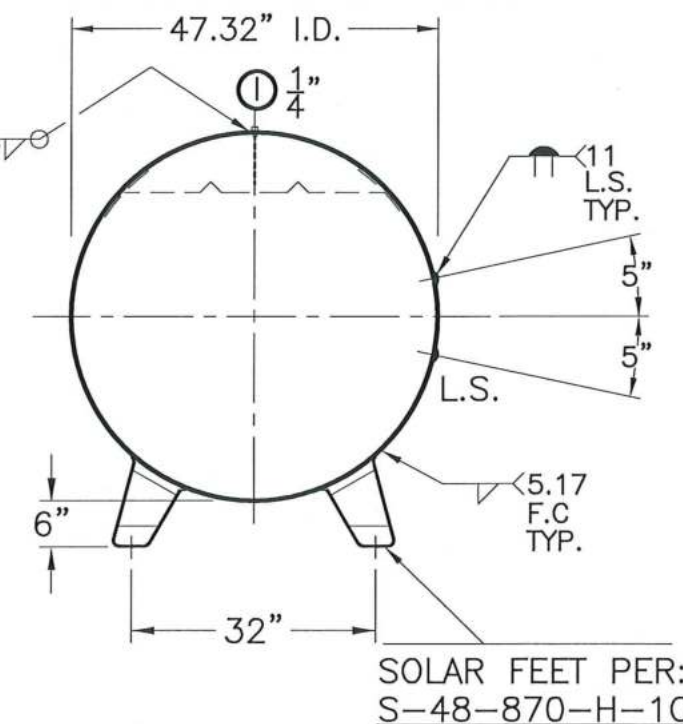
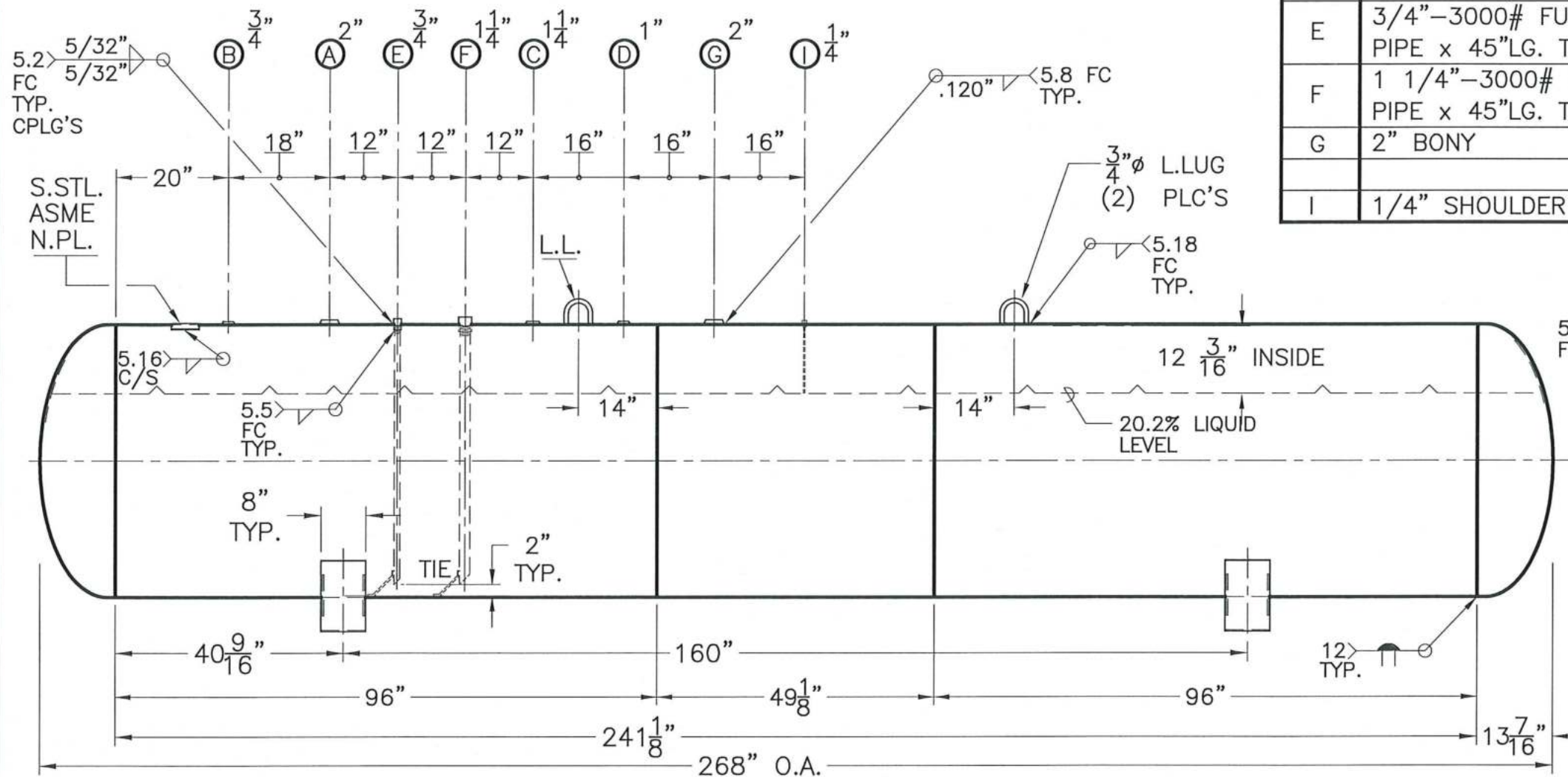


SCHEDULE OF OPENINGS

MARK	DESCRIPTION	FUNCTION
A	2" BONY	FLOAT GAUGE
B	3/4" BONY	VAPOR LINE
C	1 1/4" BONY W/8685G	RELIEF VALVE
D	1" BONY W/8684G	RELIEF VALVE
E	3/4"-3000# FULL CPLG. W/3/4" SCH 40 PIPE x 45"LG. T.O.E. W/45° MITER - DIPTUBE	ODORANT LINE
F	1 1/4"-3000# FULL CPLG. W/1 1/4" SCH 40 PIPE x 45"LG. T.O.E. W/45° MITER - DIPTUBE	FILL LINE
G	2" BONY	DIP TAPE GAUGE
I	1/4" SHOULDER CPLG. W/TUBE	OUTAGE/STOP FILL



1. SHELL: .338" SA-455
2. HEADS: .289" SA-455 2:1 S.E. JOGGLE (.278" MIN. REQ)
3. X-RAY: RT-4 SPOT L.S. & HDS. G.S.
4. STRESS REL., NO
5. CORR. ALLOW: NONE
6. ASME SEC. VIII DIV. 1, 2015
7. M.A.W.P. 250 PSIG. @ 200 °F
M.D.M.T. -20 °F @ 250 PSIG.
8. HYDRO: 325 PSIG. MIN.
9. GAL: 2000
10. EMPTY WT: 4265# APROX.
11. DEHYDRATE INSIDE
12. SURFACE AREA: 291.9 SQ. FT.
13. OUTSIDE: LPG WHITE
14. CFM REQ'D: 5380

SERIAL NO.

N.B.

PA-835-B REV. 4-12-17
DATE: 9-19-07

FOR:

HORIZ. MERCAPTAN TANK

BY: J.G./B.C. SCALE: 1/2"=12"

ROY E. HANSON JR. MFG.
1600 E. WASHINGTON BLVD.
LOS ANGELES, CA 90021