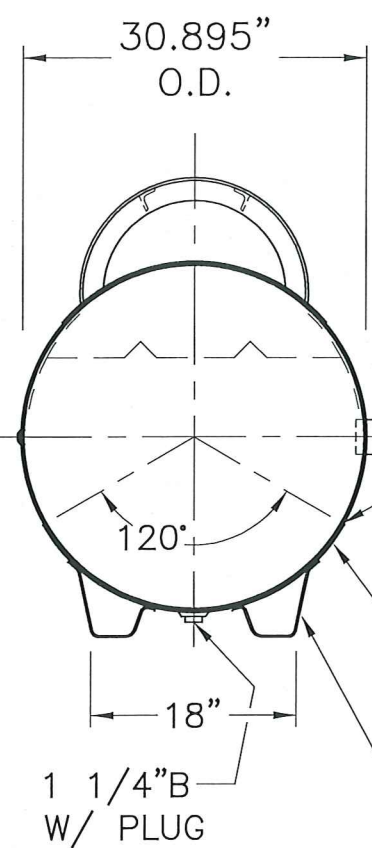


JOB No. _____
 DATE: _____



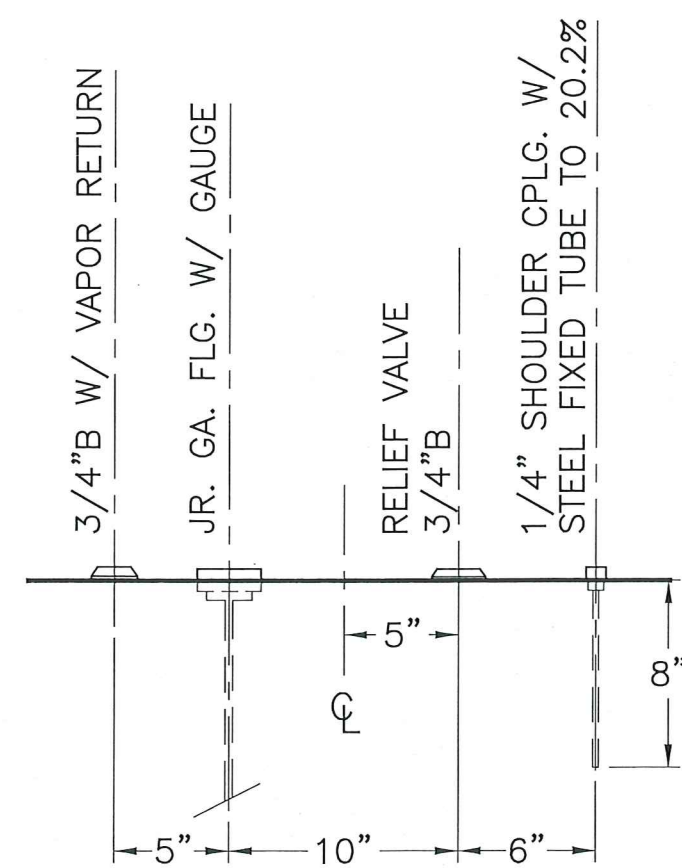
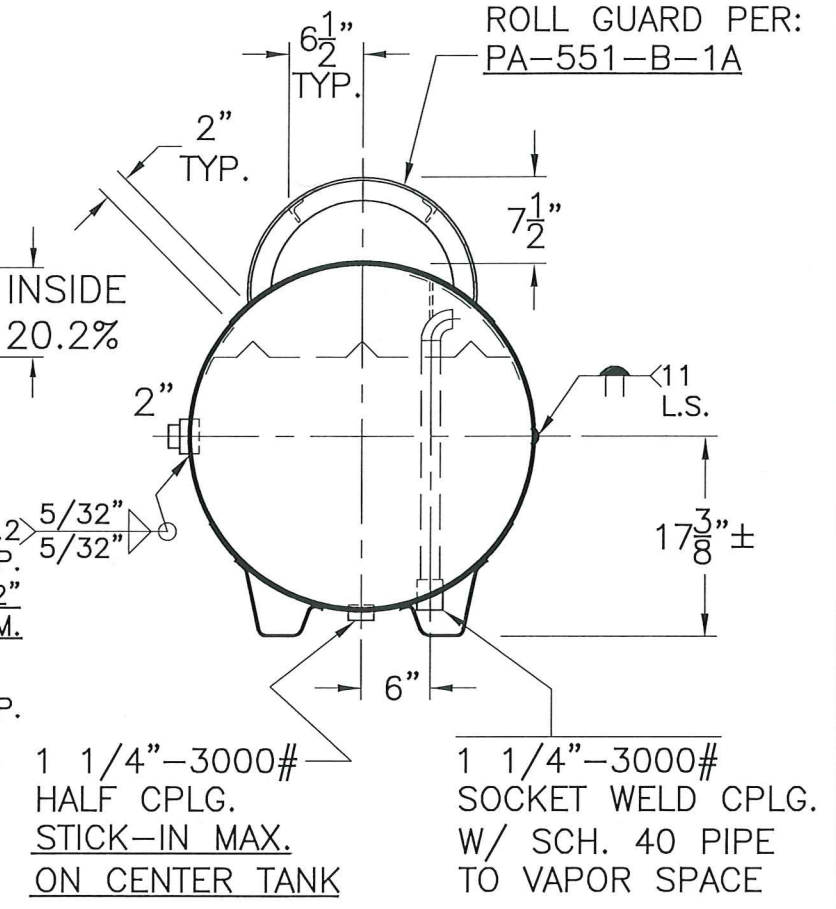
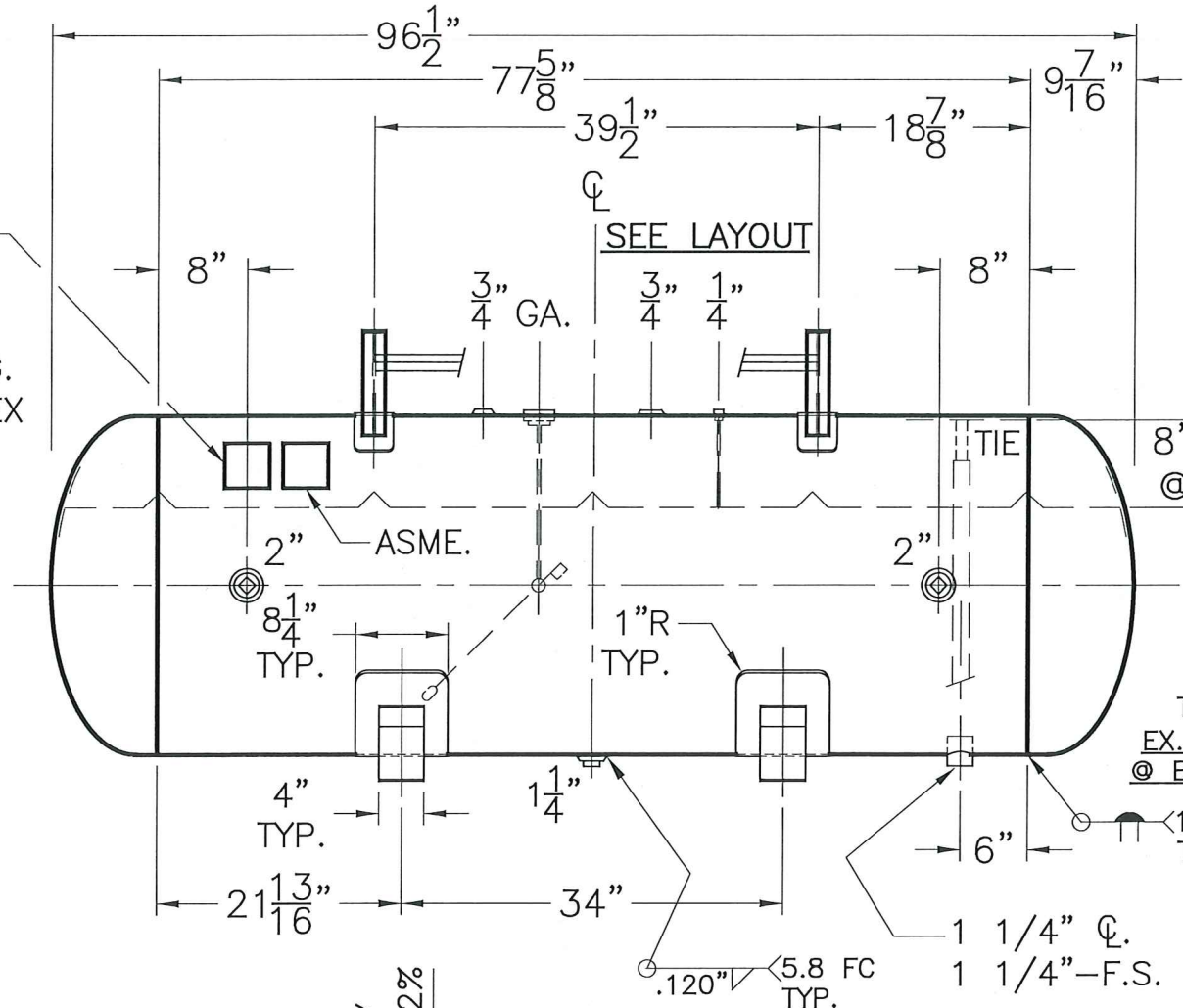
S/S MC-331 N.PL.
 PER: PA-671-B-2A

2"-3000# HALF CPLG.
 W/ HOLLOW CORE HEX
 HEAD STL. PLUG
 (2) IN LINE FOR
 INSPECTION

5.17 FC
 TYP.

3/16" THK. - PAD
 8 1/4" x 32 3/8" LG.
 (2) PLC'S.

FEET PER:
 NH3-120



NOTE: 1) HYDRO @ 325 PSIG. MIN.
 2) D.T. ON N.PL. IS 8"

SHELL / HEADS	.180" SA-414-G 2:1 S.E.
	JOGGLE
SHELL / HEADS	.218" SA-455
M.A.W.P.	250 PSIG. @ 200 °F
M.D.M.T.	-20 °F @ 250 PSIG.
ASME SECTION VIII	DIV. 1, 2019
X-RAY:	RT-4 SPOT L.S. & HEADS G.S.
GALLONS:	288
WT.	695 LBS.
SERIAL NO.	
N.B.	

PA-793-B	REV: 3-13-20
	DATE: 2-24-04
FOR: HANSON STANDARD	
MC-331, HORIZ. PROPANE TANK	
SURFACE AREA = 69.4 SQ. FT.	
1735 C.F.M. REQ'D.	
INSIDE: UNPAINTED, DEHYDRATED	
OUTSIDE: PRIMER	
BY: J.A.	SCALE: 3/4"=12"
ROY E. HANSON JR. MFG.	
LOS ANGELES, CA 90021	