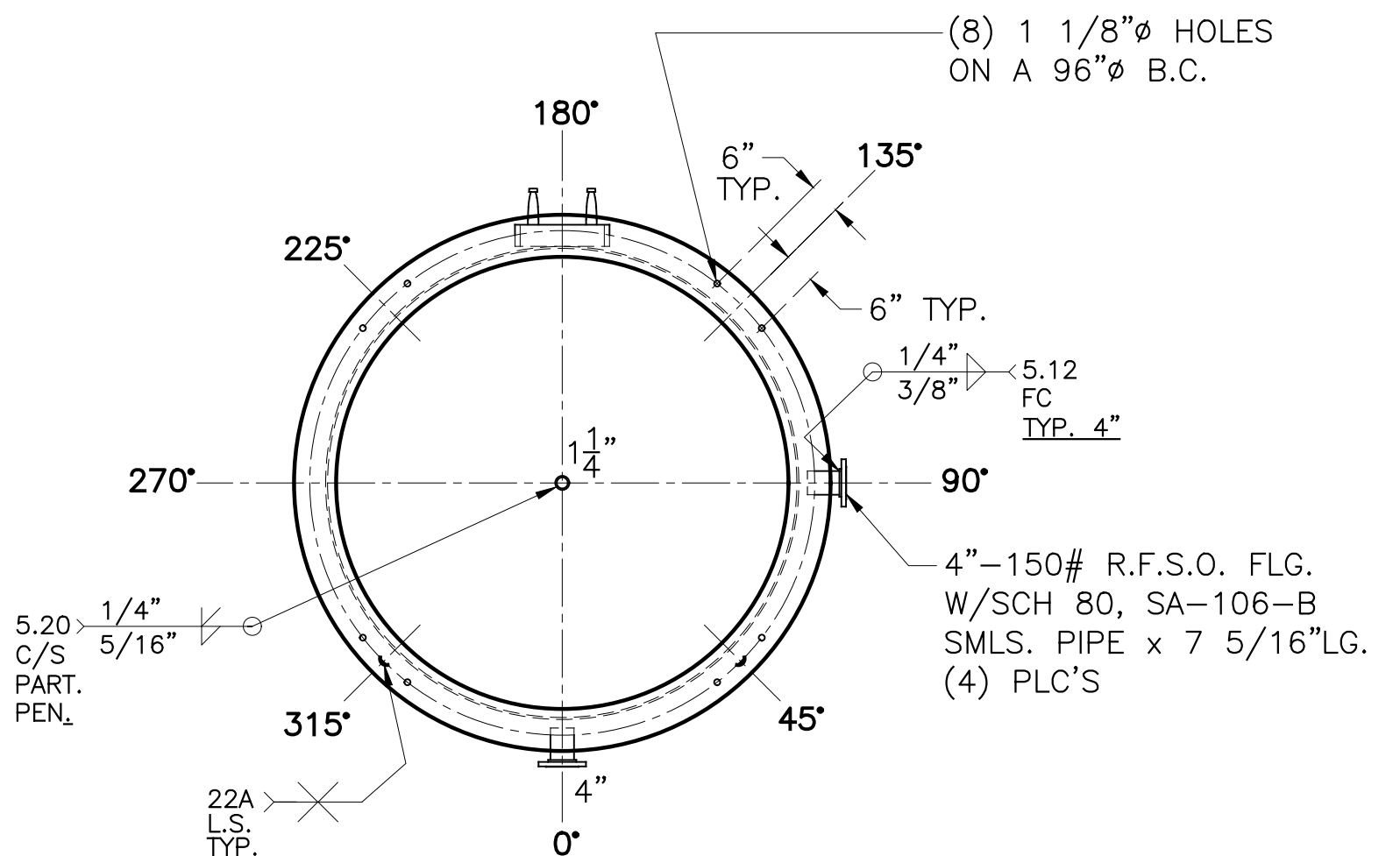
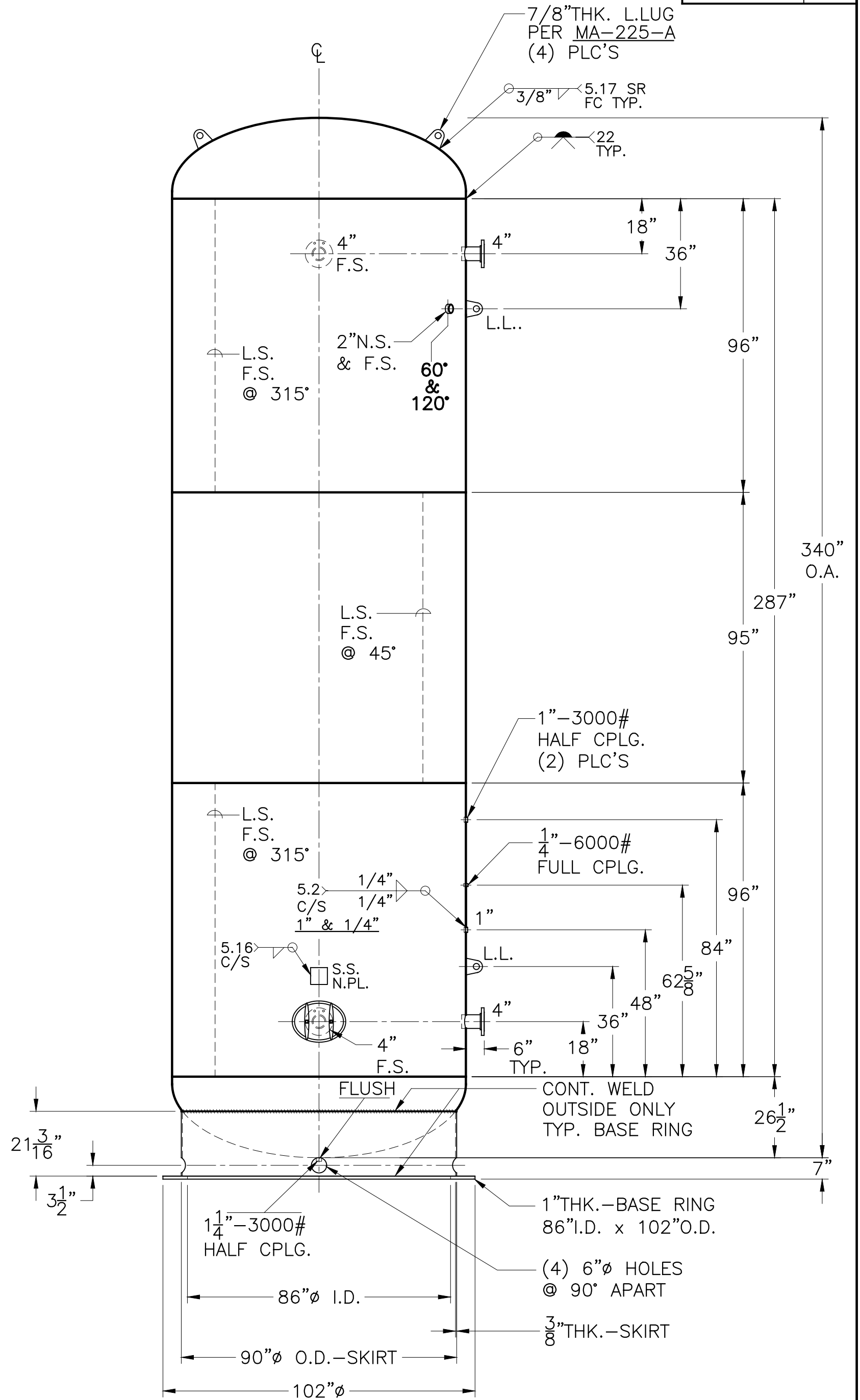
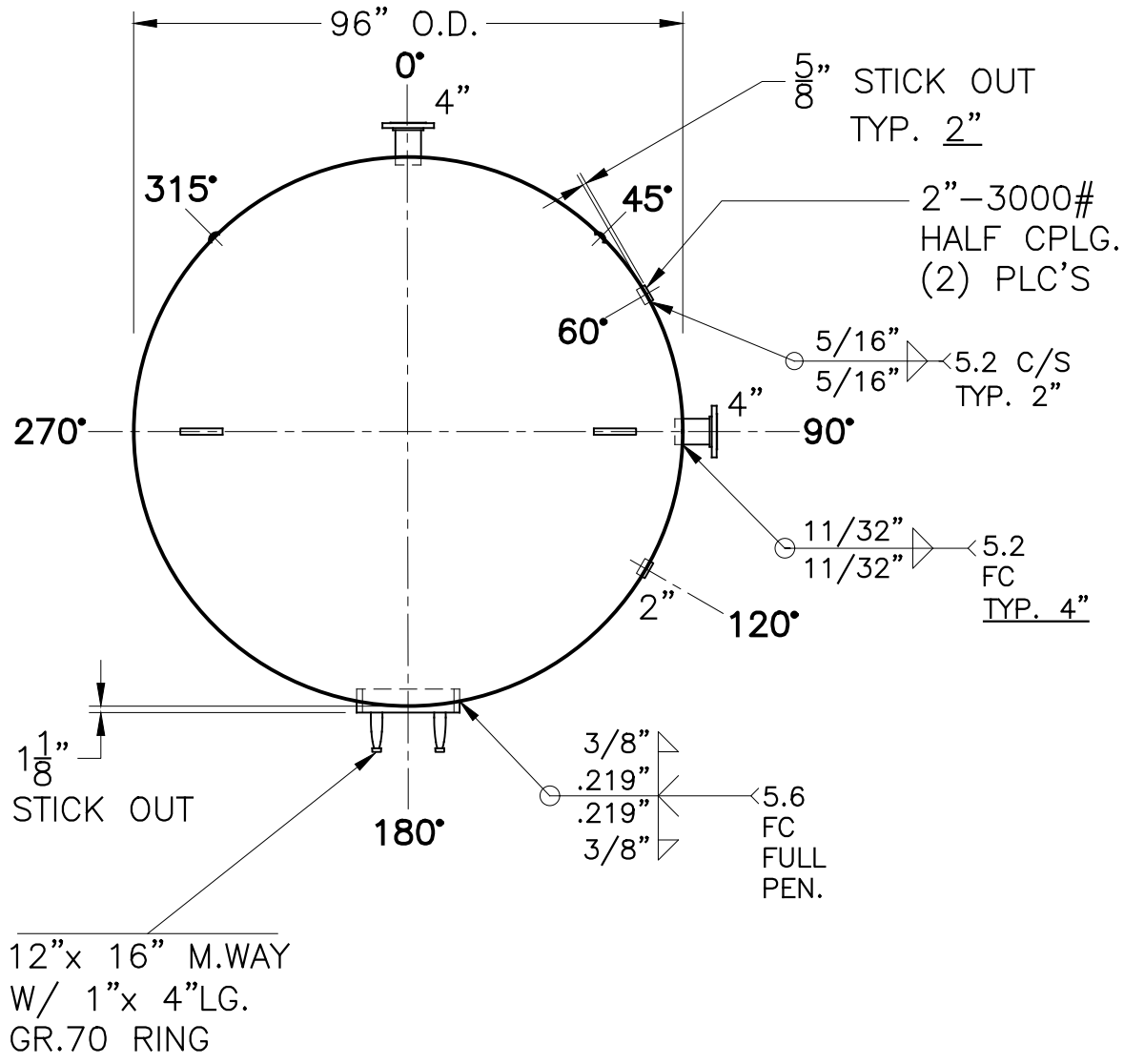


DATE	BY
12-13-17	JG
12-15-17	JG
12-22-17	JG



NOTE: 1) SHIP 270° DOWN, ON DROP DECK.
 2) ALL FNPT ARE SA-182-304 S.S.
 3) HYDRO @ 192 PSIG. MIN.

SHELL / HEADS		FOR:	
M.A.W.P.	147 PSIG. @ 400 °F	VERT. AIR TANK	AI-024-C
M.D.M.T.	-20 °F @ 147 PSIG	SURFACE AREA = 750.3 SQ. FT.	REV. 12-22-17
ASME SECTION VIII	DIV. 1, 2017	INSIDE: EPOXY LINED	DATE: 12-13-17
X-RAY: RT-4 SPOT L.S. & HD. G.S.		OUTSIDE: EPOXY PRIME & R-16	
GALLONS: 10000	WT. 15,600 LBS.		
SERIAL NO.			
N.B.			

BY: J.G./H.D. SCALE: 3/8"=12"
 ROY F. HANSON JR. MFG.
 LOS ANGELES, CA 90021