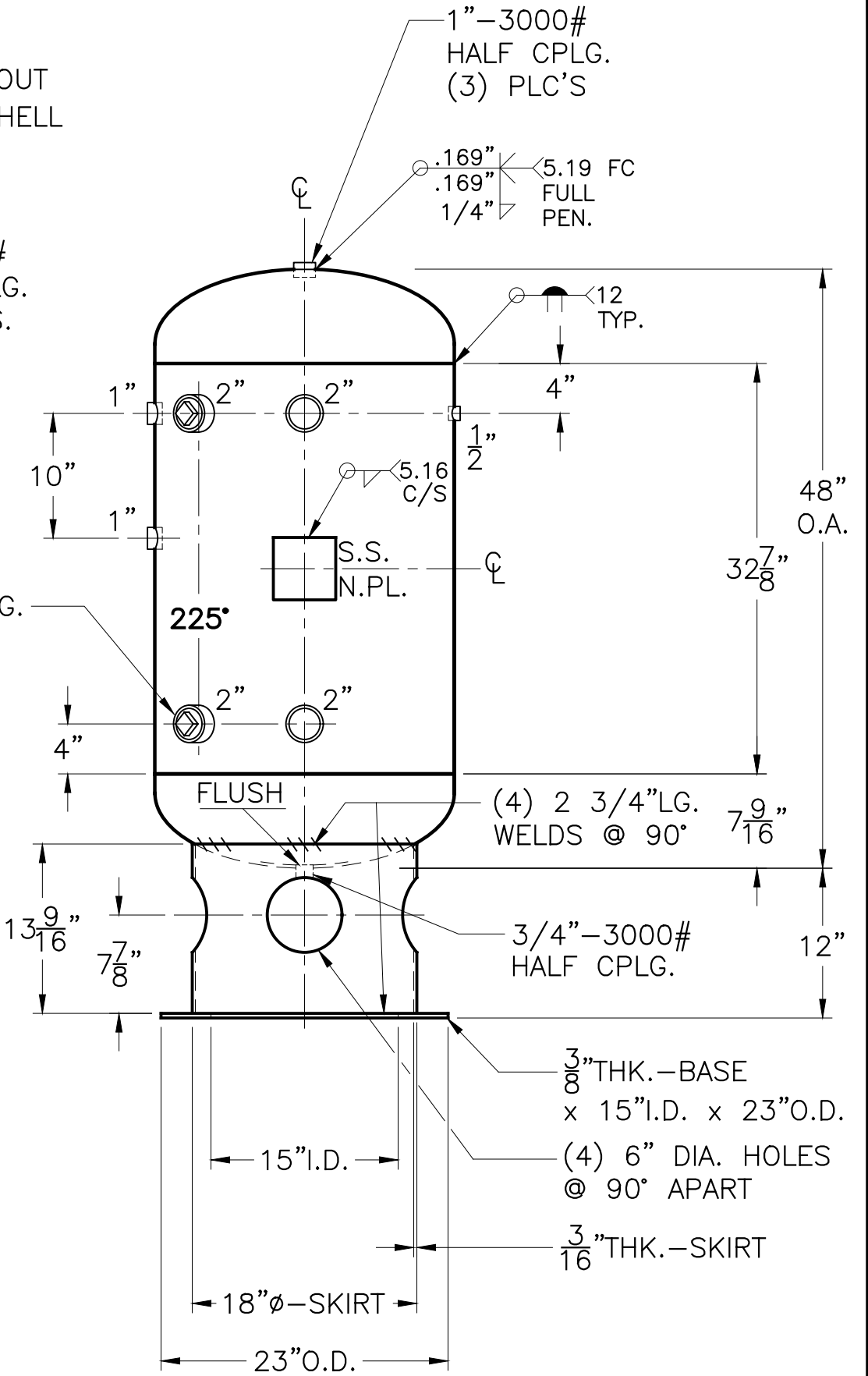
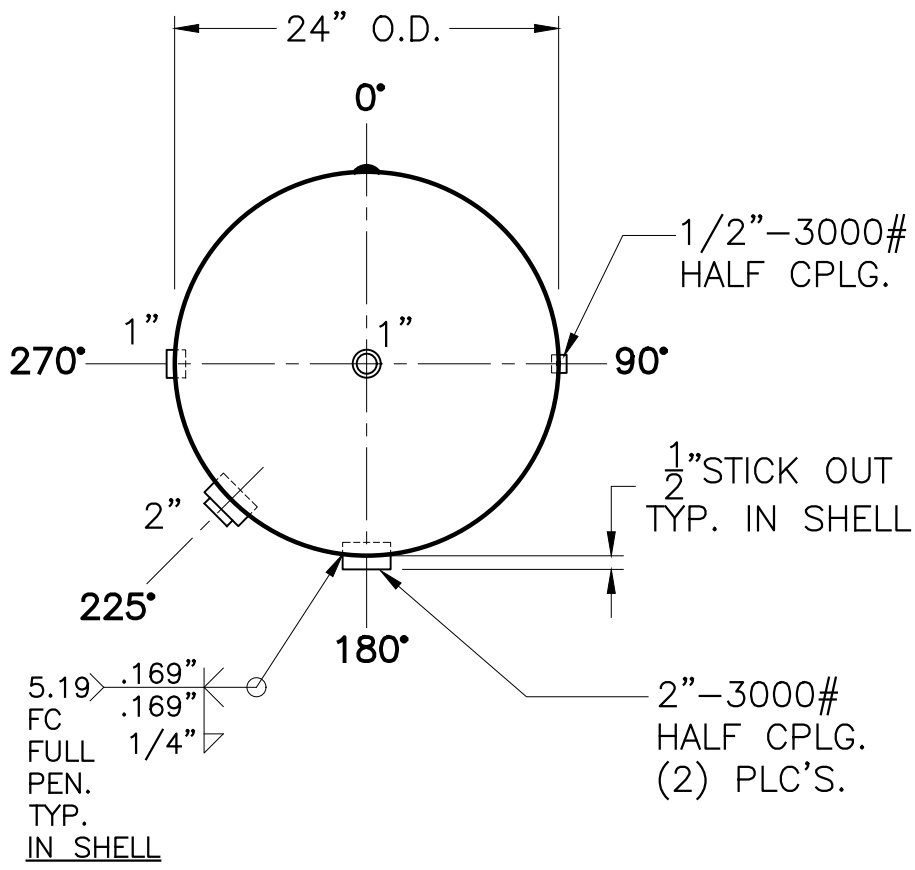


DATE	BY
7-13-17	JG
6-6-18	JG



2"-3000# HALF CPLG. W/ STL. PLUG FOR INSPECTION OPENING (2) PLC'S.

NOTE: 1) HYDRO @ 260 PSIG. MIN.

SHELL / HEADS	.338" SA-455 2:1 S.E.
BEVEL	
.125" C.A. ON ENTIRE VESSEL.	
M.A.W.P.	200 PSIG. @ 400 °F
M.D.M.T.	0 °F @ 200 PSIG.
ASME SECTION VIII DIV. 1, 2017	
X-RAY:	RT-NO
GALLONS:	80
WT.	440 LBS.
SERIAL NO.	
N.B.	

AH-999-B	REV. 6-6-18
DATE: 6-28-17	
FOR:	VERT. AIR TANK
	SURFACE AREA = 27.1 SQ. FT.
INSIDE:	UNPAINTED
OUTSIDE:	PRIME
BY: J.G./B.C.	SCALE: 1"=12"
ROY E. HANSON JR. MFG.	
LOS ANGELES, CA 90021	

