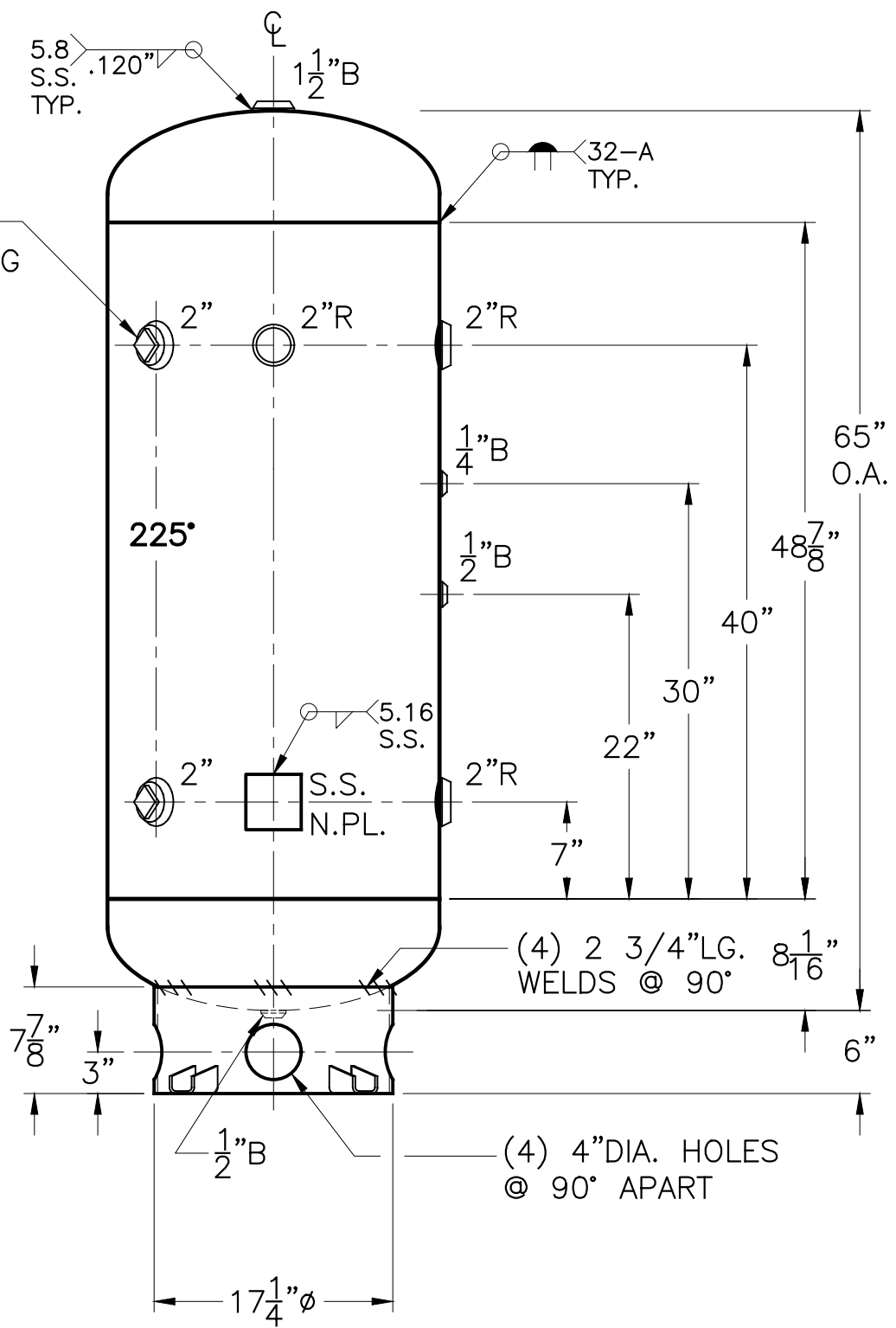
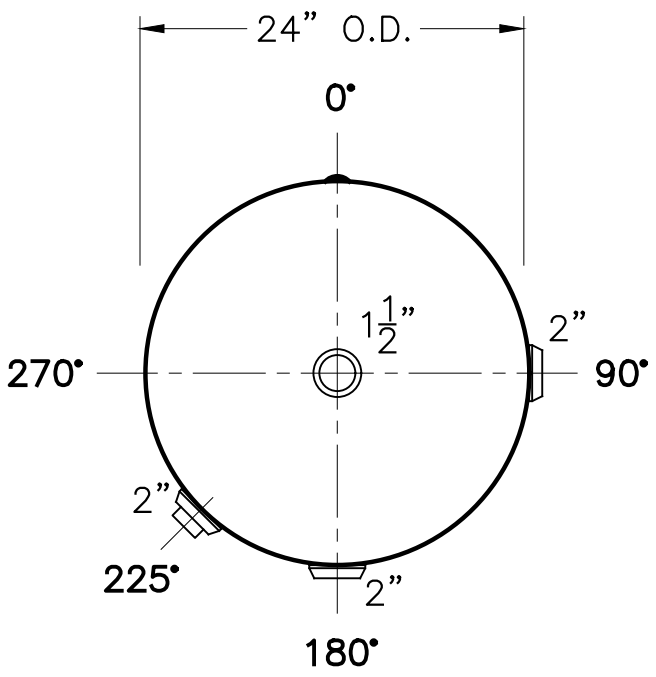
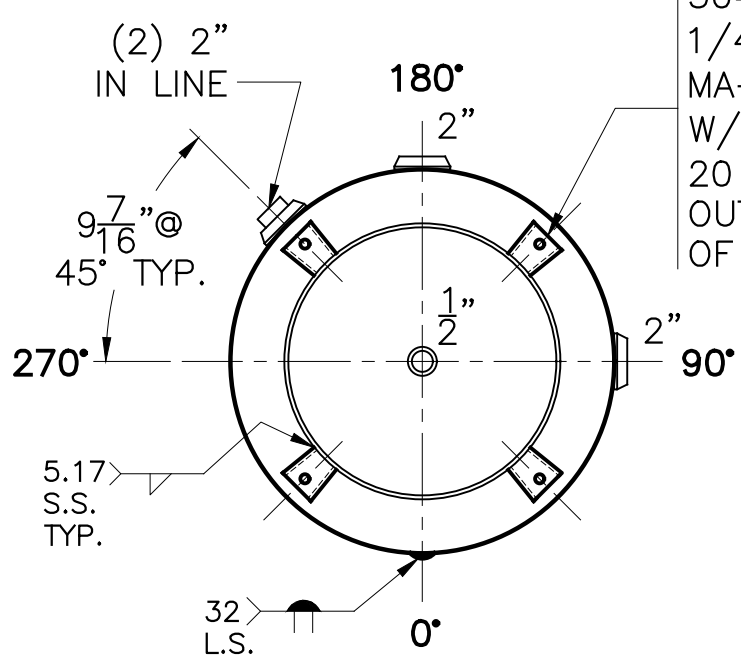


DATE	BY
5-23-17	JG



2"R (10"R)
W/ S.STL. PLUG
INSP. OPENING
(2) PLC'S.

304 S.S. -
1/4"THK. CLIPS PER
MA-395-B (4) PLC'S.
W/9/16"Ø HOLE ON
20 3/8"B.C.; WELD
OUTSIDE VERT. EDGE
OF CLIP ONLY



NOTE: 1) ALL FNPT SA-182-304 S.S.
2) HYDRO @ 390 PSIG. MIN.

SHELL / HEADS	
TRIM (NO SPOT)	.250" SA-240-316 2:1 S.E.
	.3125" SA-240-304
M.A.W.P.	300 PSIG. @ 400 °F
M.D.M.T.	-20 °F @ 300 PSIG.
ASME SECTION VIII	DIV. 1, 2015
X-RAY:	RT-NO
GALLONS:	120
WT.	479 LBS.
SERIAL NO.	
N.B.	

AH-993-B	
FOR:	VERT. AIR TANK
	SURFACE AREA = 36.8 SQ. FT.
INSIDE:	PASSIVATE
OUTSIDE:	BEAD BLAST & PASSIVATE
BY:	J.G./R.V.
SCALE:	1"=12"
REV.	DATE: 5-23-17
ROY E. HANSON JR. MFG.	
LOS ANGELES, CA 90021	