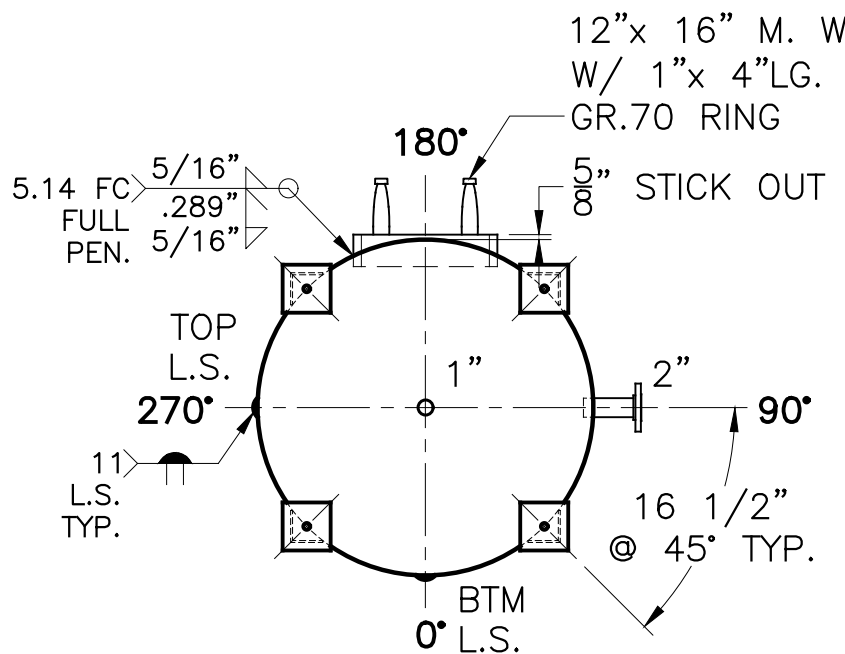
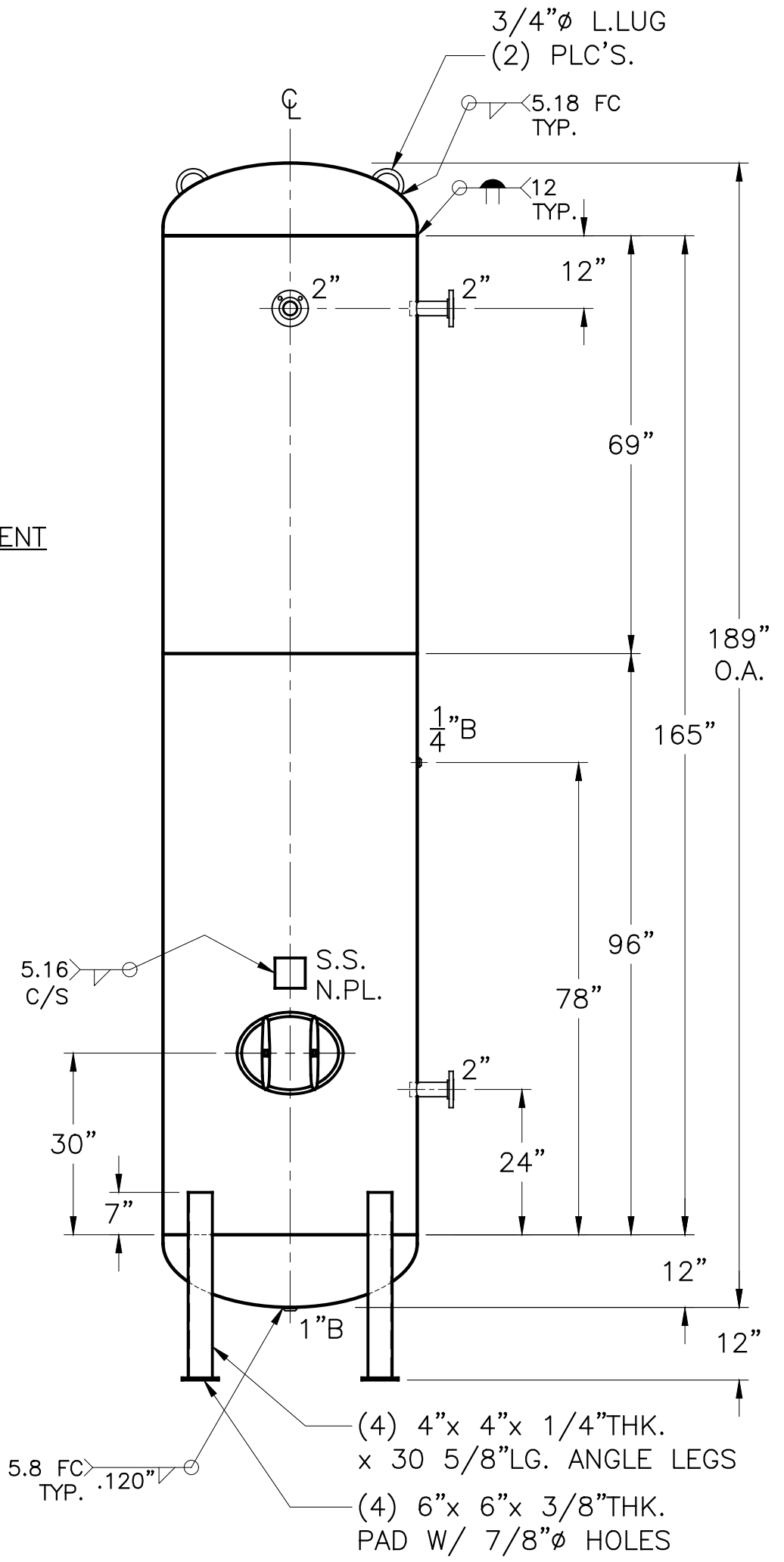
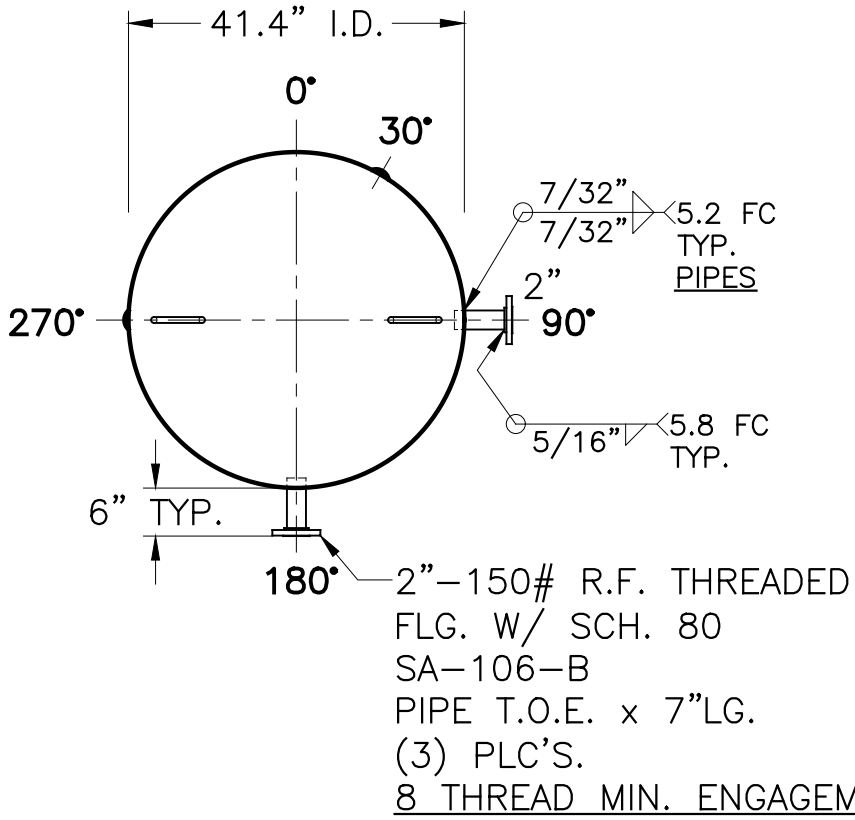


| | |
|---------|----|
| DATE | BY |
| 4-27-16 | JG |
| 4-18-17 | JG |



NOTE: 1) FILL WITH CLEAN DRY AIR FOR SHIPPING.
 2) ALL NOZZLE W/BLIND COVERS AND STEEL PLUGS ON ALL PORTS.
 3) HYDRO @ 325 PSIG. MIN.

| | | | |
|--|-----------------------|-----------------------|-----------|
| SHELL / HEADS | | .252" SA-455 2:1 S.E. | |
| JOGGLED | | | |
| M.A.W.P. | 250 PSIG. @ 200 °F | | |
| M.D.M.T. | -20 °F @ 250 PSIG. | | |
| ASME SECTION VIII DIV. 1, 2015 | | | |
| X-RAY: | RT-4 SPOT L.S. & G.S. | | |
| GALLONS: | 1060 | WT. | 2422 LBS. |
| SERIAL NO. | | | |
| N.B. | | | |
| FOR: VERT. AIR TANK | | AH-939-B | |
| SURFACE AREA = 180.5 SQ. FT. | | REV. | 4-18-17 |
| INSIDE: S. BLAST | | DATE: | 4-27-16 |
| OUTSIDE: S. BLAST, PRIME & GREY (RAL 7035) | | | |
| LEG-ZONE 1-15 KM. | | | |
| BY: J.G./B.C. | | SCALE: 1/2"=12" | |
| ROY E. HANSON JR. MFG. | | | |
| LOS ANGELES, CA 90021 | | | |