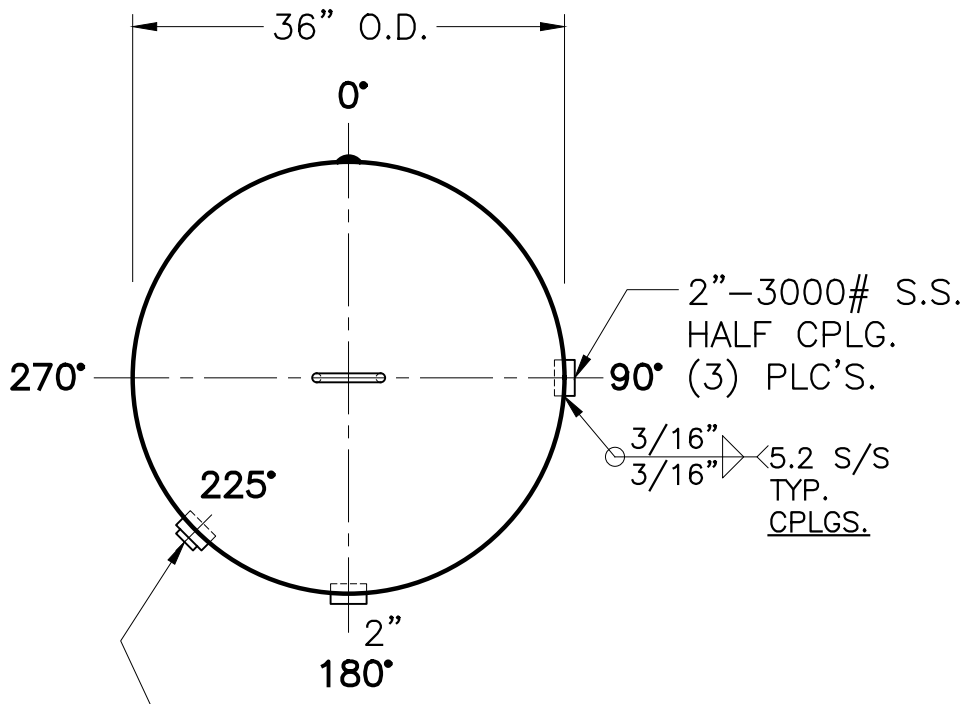
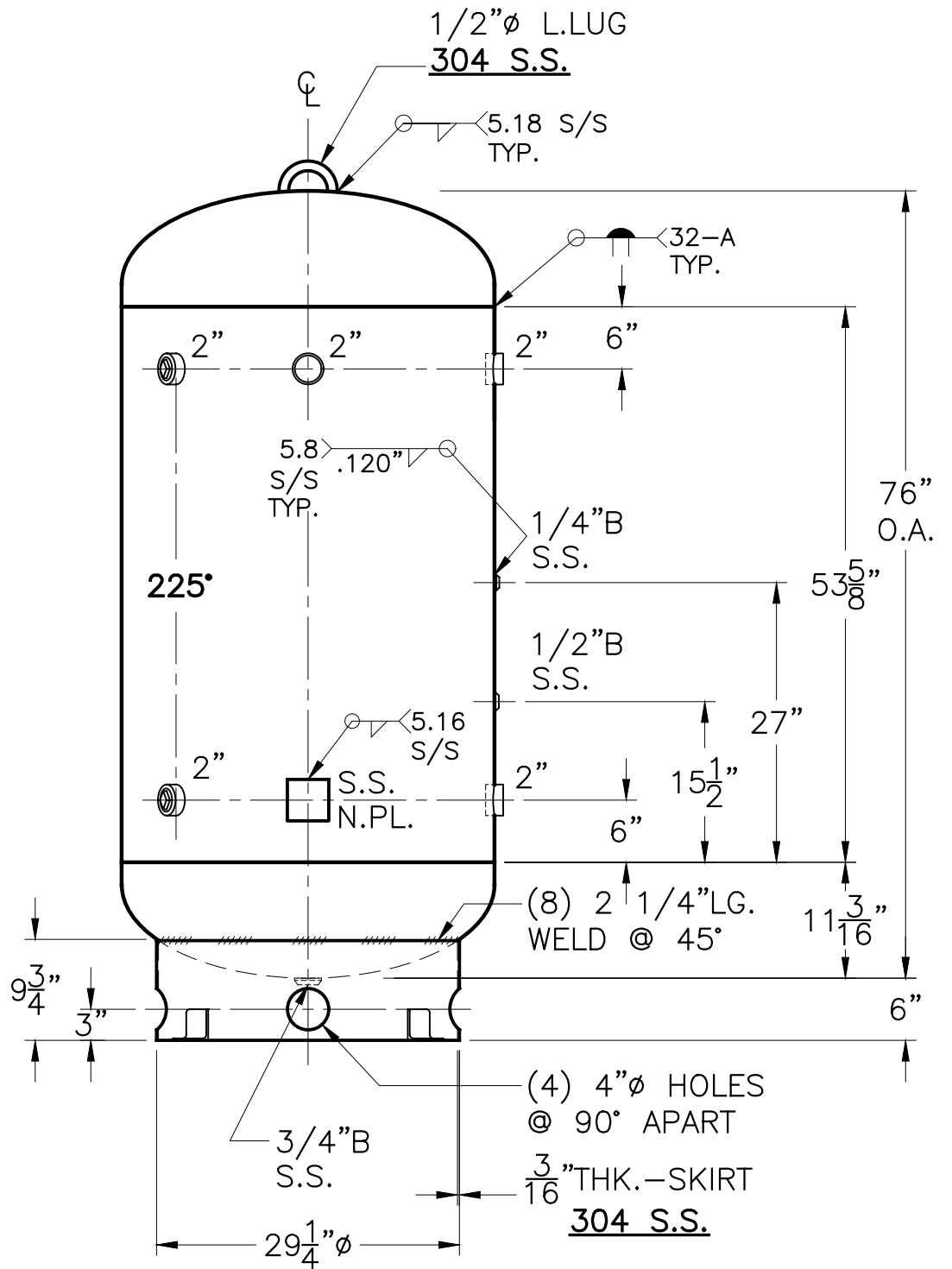


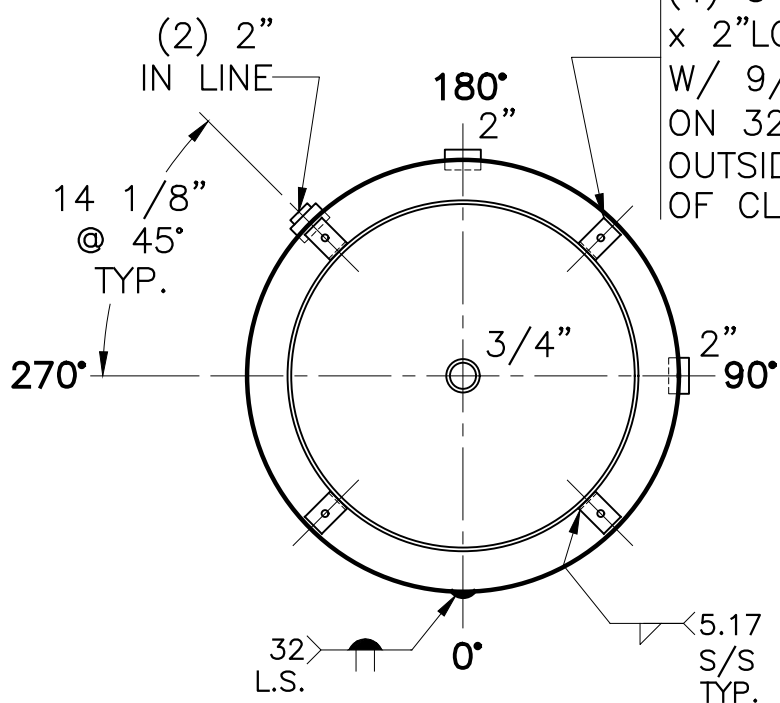
| | |
|---------|----|
| DATE | BY |
| 1-16-15 | JG |
| | |



2"-3000# S.S. HALF CPLG. W/ S.S. PLUG FOR INSPECTION OPENINGS (2) PLC'S.



304 S.S.
 (4) 3"x 3"x 3/8" THK. x 2" LG. ANGLE CLIPS W/ 9/16" Ø HOLES ON 32 1/2" B.C.; WELD OUTSIDE VERT. EDGE OF CLIP ONLY



NOTE: 1) ALL FNPT'S SA-182-316 S.S.
 2) HYDRO @ 260 PSIG. MIN.

| SHELL / HEADS | |
|-------------------|-----------------------------|
| TRIM | .1875" SA-240-316 2:1 S.E. |
| | (.187" MIN.) |
| | .250" SA-240-316 |
| M.A.W.P. | 200 PSIG. @ 200 °F |
| M.D.M.T. | -20 °F @ 200 PSIG. |
| ASME SECTION VIII | DIV. 1, 2013 |
| X-RAY | RT-4 SPOT L.S. & HEADS G.S. |
| GALLONS | 300 WT. 720 LBS. |
| SERIAL NO. | |
| N.B. | |

| | |
|---------------------------------|--------------------|
| AH-900-B | REV. DATE: 1-16-15 |
| FOR: VERT. AIR TANK | |
| SURFACE AREA = 65.1 SQ. FT. | |
| INSIDE: PASSIVATE | |
| OUTSIDE: BEAD BLAST & PASSIVATE | |
| BY: E.S. / B.C. | SCALE: 3/4" = 12" |
| ROY E. HANSON JR. MFG. | |
| 1600 E. WASHINGTON BLVD. | |
| LOS ANGELES, CA 90021 | |