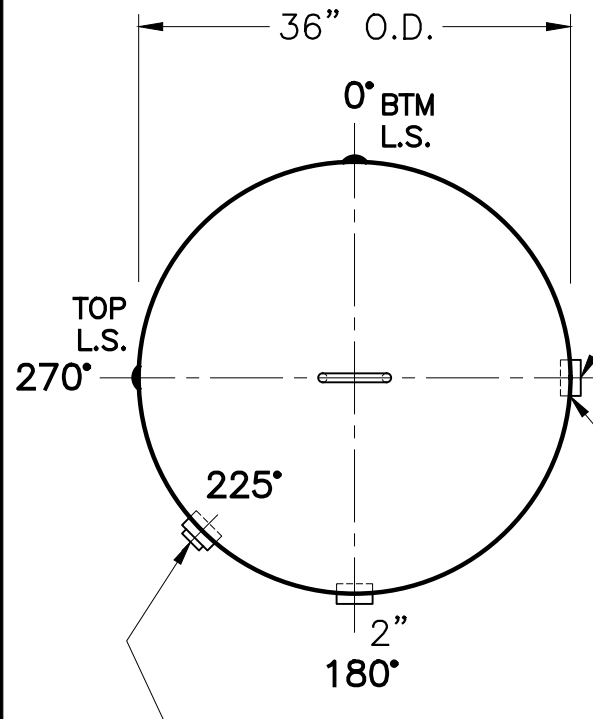


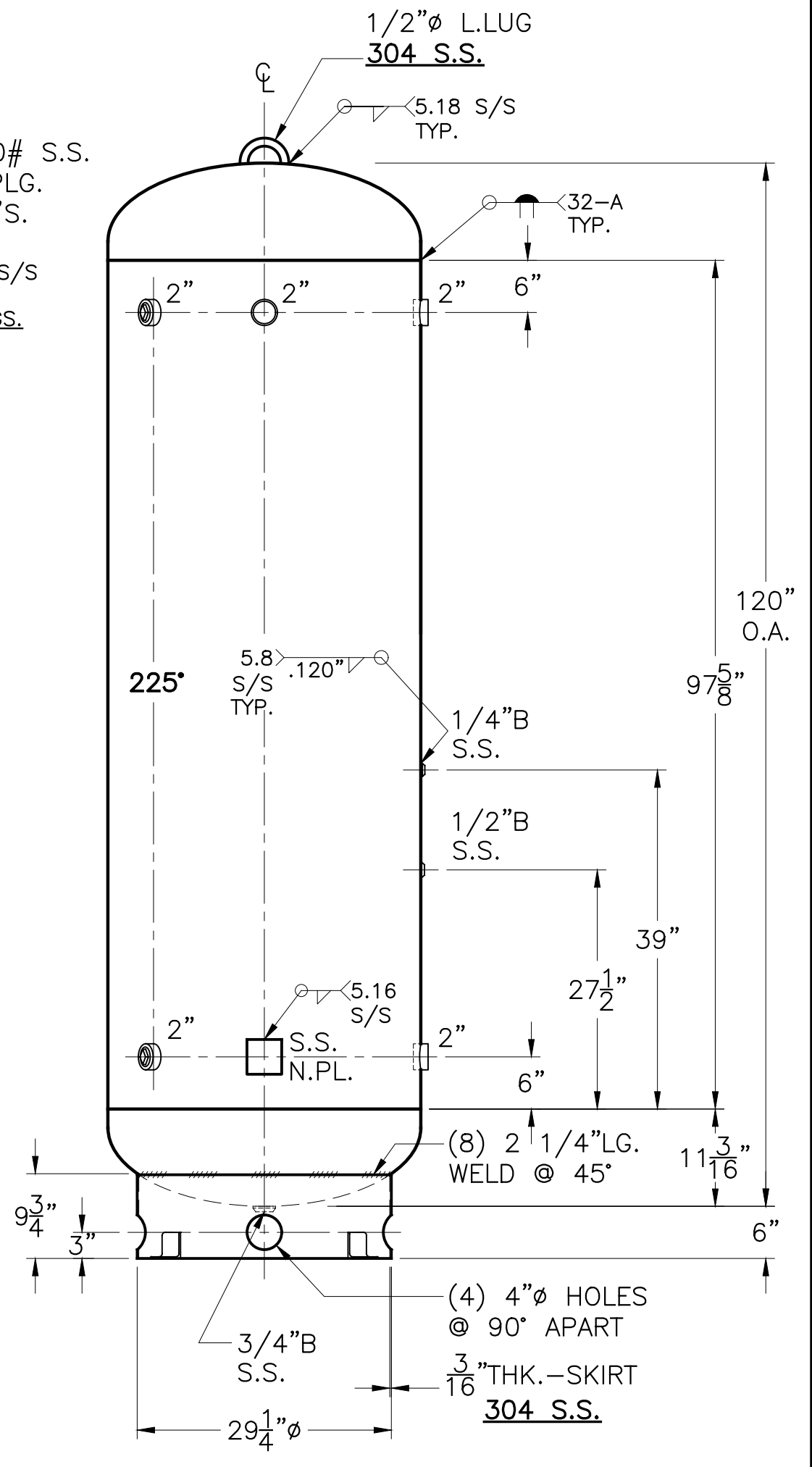
DATE	BY
1-16-15	JG



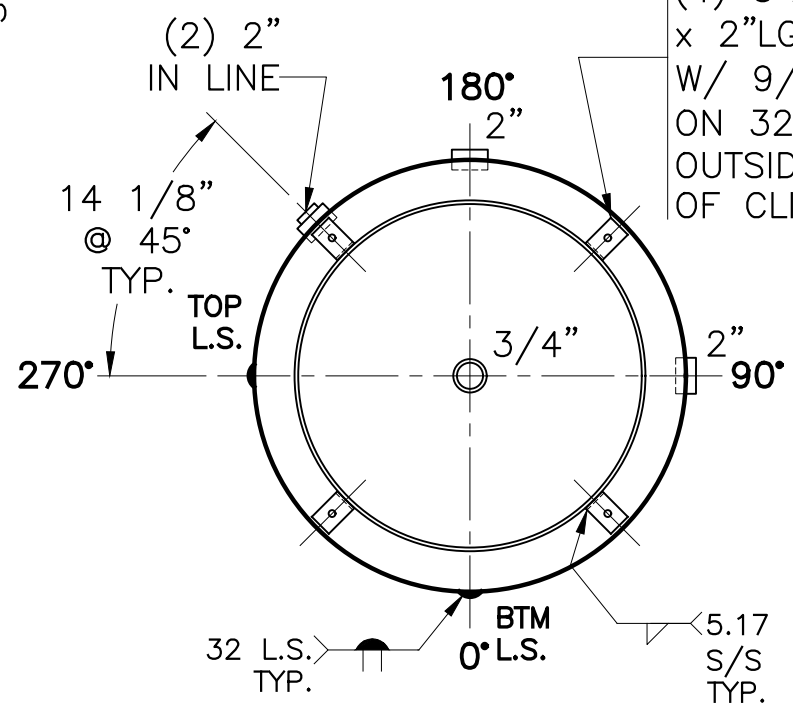
2"-3000# S.S. HALF CPLG. W/ S.S. PLUG FOR INSPECTION OPENINGS (2) PLC'S.

SHELL / HEADS	
TRIM	.1875" SA-240-316 2:1 S.E.
	(.187" MIN.)
	.250" SA-240-316
M.A.W.P.	200 PSIG. @ 200 °F
M.D.M.T.	-20 °F @ 200 PSIG.
ASME SECTION VIII	DIV. 1, 2013
X-RAY	RT-4 SPOT L.S. & HEADS G.S.
GALLONS	500 WT. 1092 LBS.
SERIAL NO.	
N.B.	

NOTE: 1) ALL FNPT'S SA-182-316 S.S.  
2) HYDRO @ 260 PSIG. MIN.



304 S.S.  
(4) 3" x 3" x 3/8" THK. x 2" LG. ANGLE CLIPS W/ 9/16" Ø HOLES ON 32 1/2" B.C.; WELD OUTSIDE VERT. EDGE OF CLIP ONLY



<b>AH-899-B</b>	REV.
FOR: VERT. AIR TANK	DATE: 1-16-15
SURFACE AREA = 99.6 SQ. FT.	
INSIDE: PASSIVATE	
OUTSIDE: BEAD BLAST & PASSIVATE	
BY: E.S. / B.C.	SCALE: 3/4" = 12"
<b>ROY E. HANSON JR. MFG.</b>	
1600 E. WASHINGTON BLVD.	
LOS ANGELES, CA 90021	