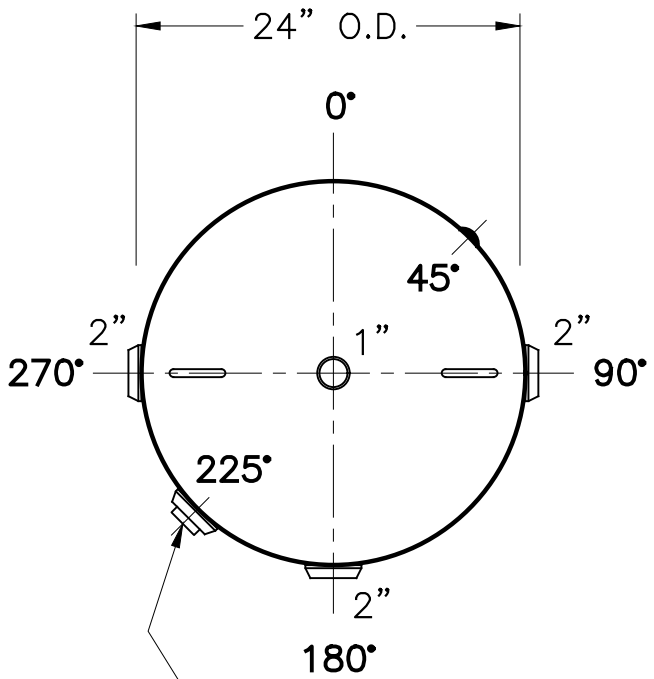
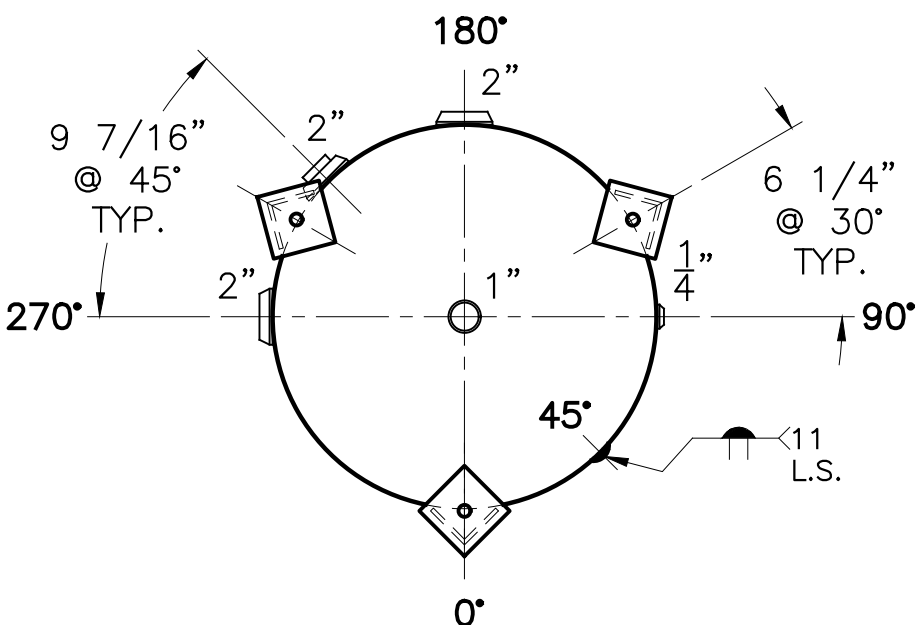
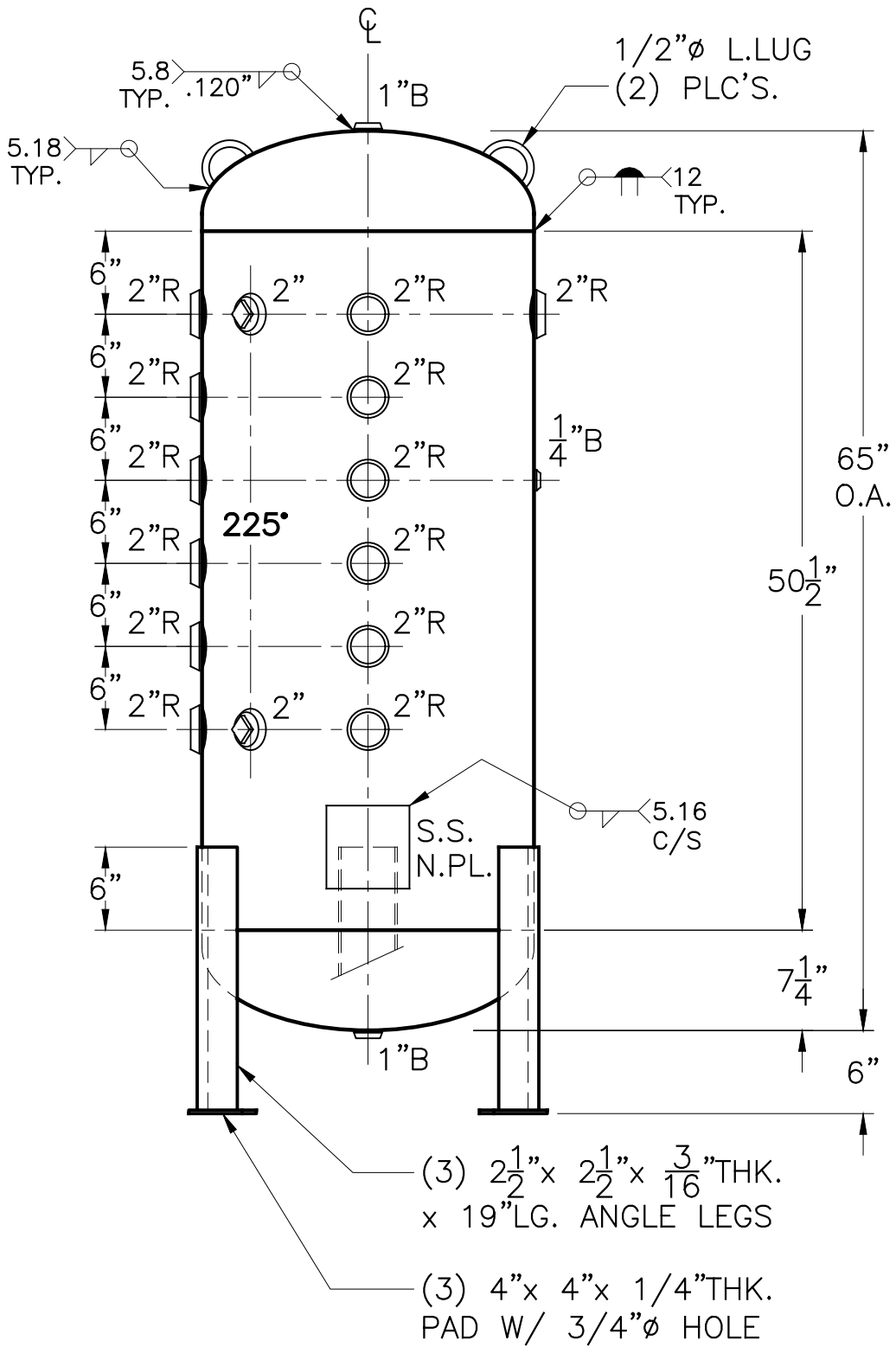


DATE	BY
3-20-14	RH



2"R W/ C.I. PLUG FOR INSPECTION OPENINGS (2) PLC'S.



NOTE: 1) USE 2"R WITH 10" RADIUS, ALL PLACES.
2) HYDRO @ 325 PSIG. MIN.

SHELL / HEADS	
JOGGLE	.164" MIN. SA-414-G 2:1 S.E.
	.200" SA-455 (.199" MIN.)
M.A.W.P.	250 PSIG. @ 200 °F
M.D.M.T.	-20 °F @ 250 PSIG.
ASME. SECTION VIII	DIV. 1, 2013
X-RAY:	RT-NO
GALLONS:	120 WT. 350 LBS.
SERIAL NO.	
N.B.	

AH-872-B	
FOR:	VERT. AIR TANK
	SURFACE AREA = 36.0 SQ. FT.
	INSIDE: UNPAINTED
OUTSIDE:	PRIME
BY: E.S. / B.C.	LEG-ZONE 1-15 KM.
SCALE: 1"=12"	
ROY E. HANSON JR. MFG.	
1600 E. WASHINGTON BLVD.	
LOS ANGELES, CA 90021	
REV.	DATE: 3-20-14