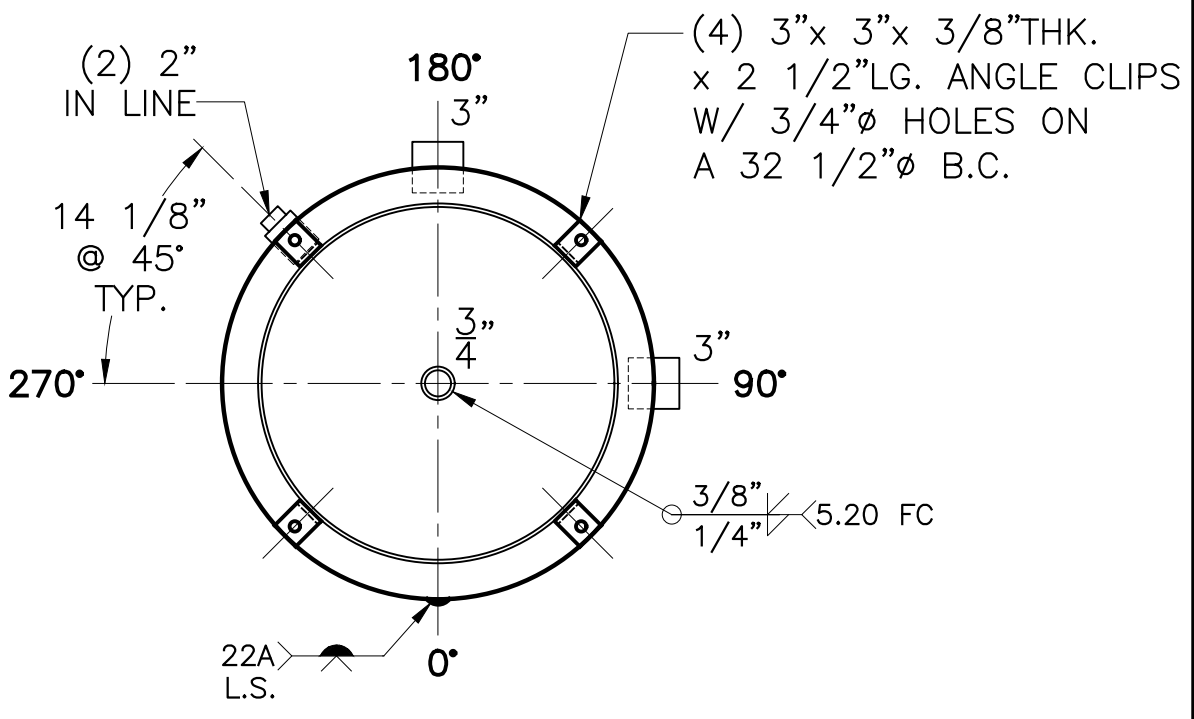
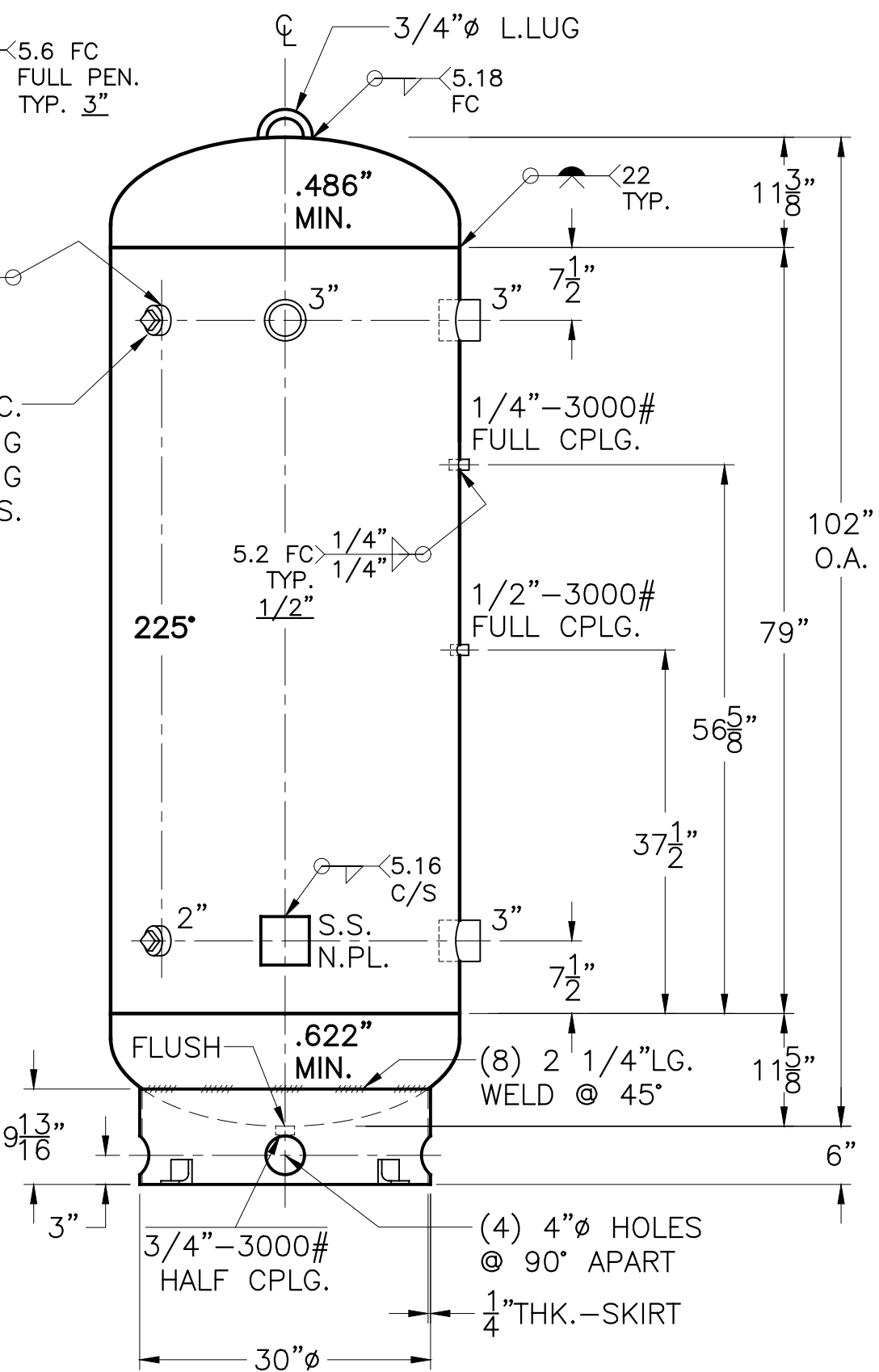
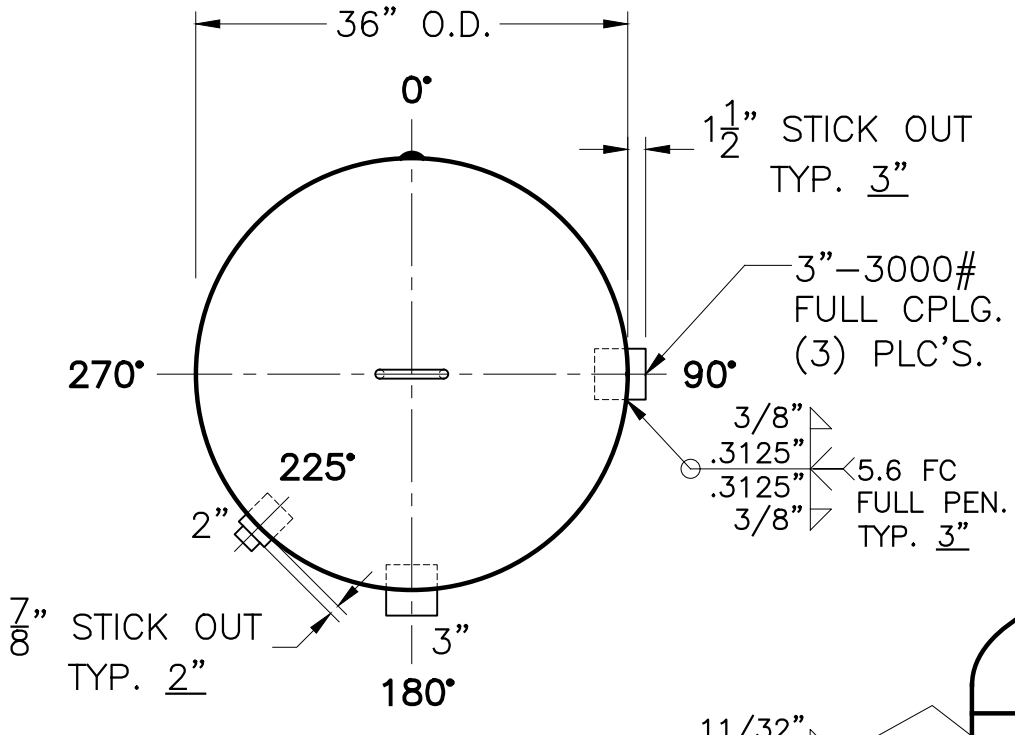


DATE	BY
2-19-14	RH



5.2 FC 11/32" TYP. 2"

2"-3000# F.C. W/ C. STL. PLUG INSP. OPENING (2) PLC'S.

NOTE: 1) 2) HYDRO @ 715 PSIG. MIN. PRE HEAT ALL WELDS TO 150°F.

SHELL / HEADS	
TOP-35.91" O.D. SA-516-70	2:1 S.E.
HOT FORM (1/2" NOM.) (.486" MIN.)	
BTM-36.09" O.D. SA-516-70	2:1 S.E.
HOT FORM (5/8" NOM.) (.622" MIN.)	
.625" SA-516-70	
M.A.W.P.	550 PSIG. @ 400 °F
M.D.M.T.	-20 °F @ 550 PSIG.
ASME SECTION VIII DIV. 1, 2013	
X-RAY: RT-4 SPOT TOP G.S. & SHELL L.S. ONLY	
GALLONS:	400 WT. 2365 LBS.
SERIAL NO.	
N.B.	
AH-865-B	
FOR:	VERT. AIR TANK
	SURFACE AREA = 85.5 SQ. FT.
	INSIDE: UNPAINTED
	OUTSIDE: PRIME
BY: E.S. / B.C.	SCALE: 3/4" = 12"
ROY E. HANSON JR. MFG.	
1600 E. WASHINGTON BLVD.	
LOS ANGELES, CA 90021	
REV.	DATE: 2-19-14