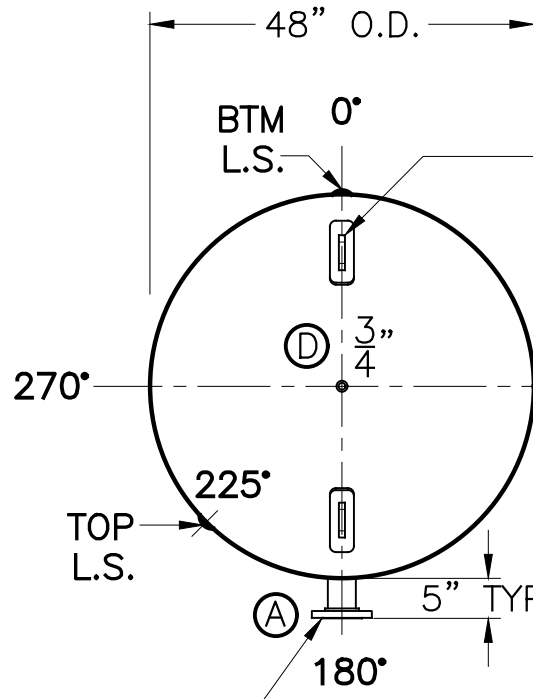


DATE	BY
5-2-14	RH
9-15-14	JG
9-19-14	JG



PHOENIX L.LUG
W/ .250"x 3"x 8"LG.
PAD W/ 3/4"R CORNERS
(4) PLC'S.

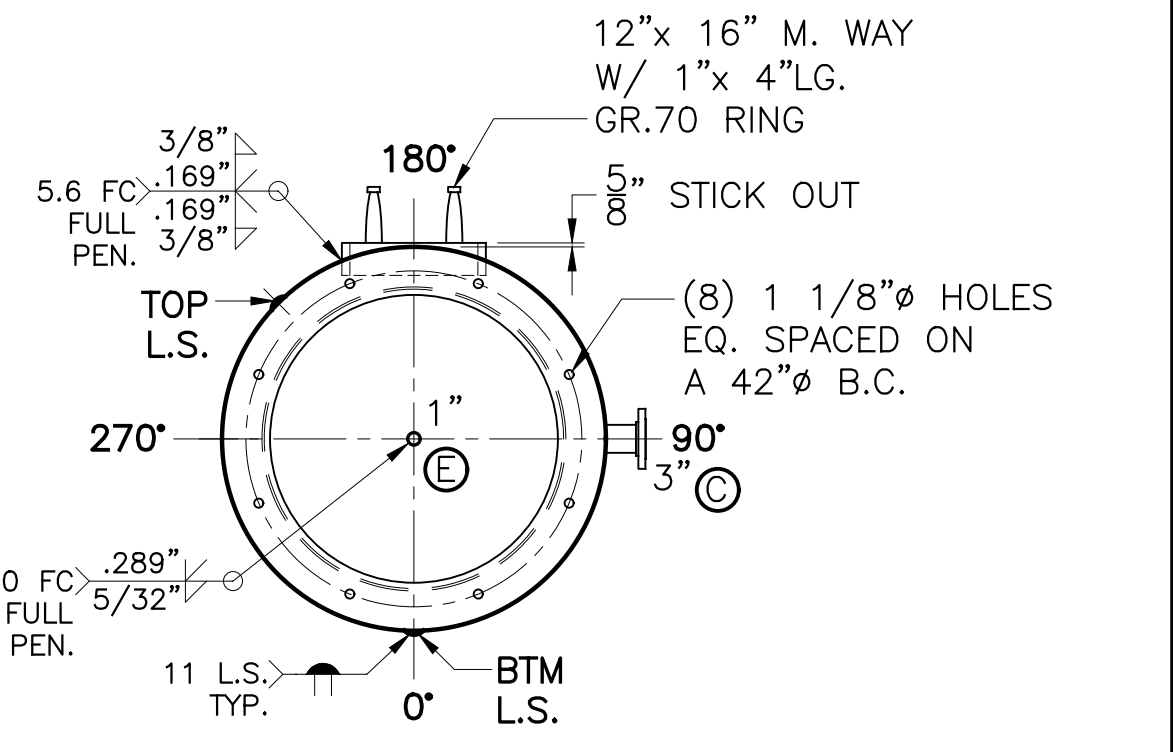
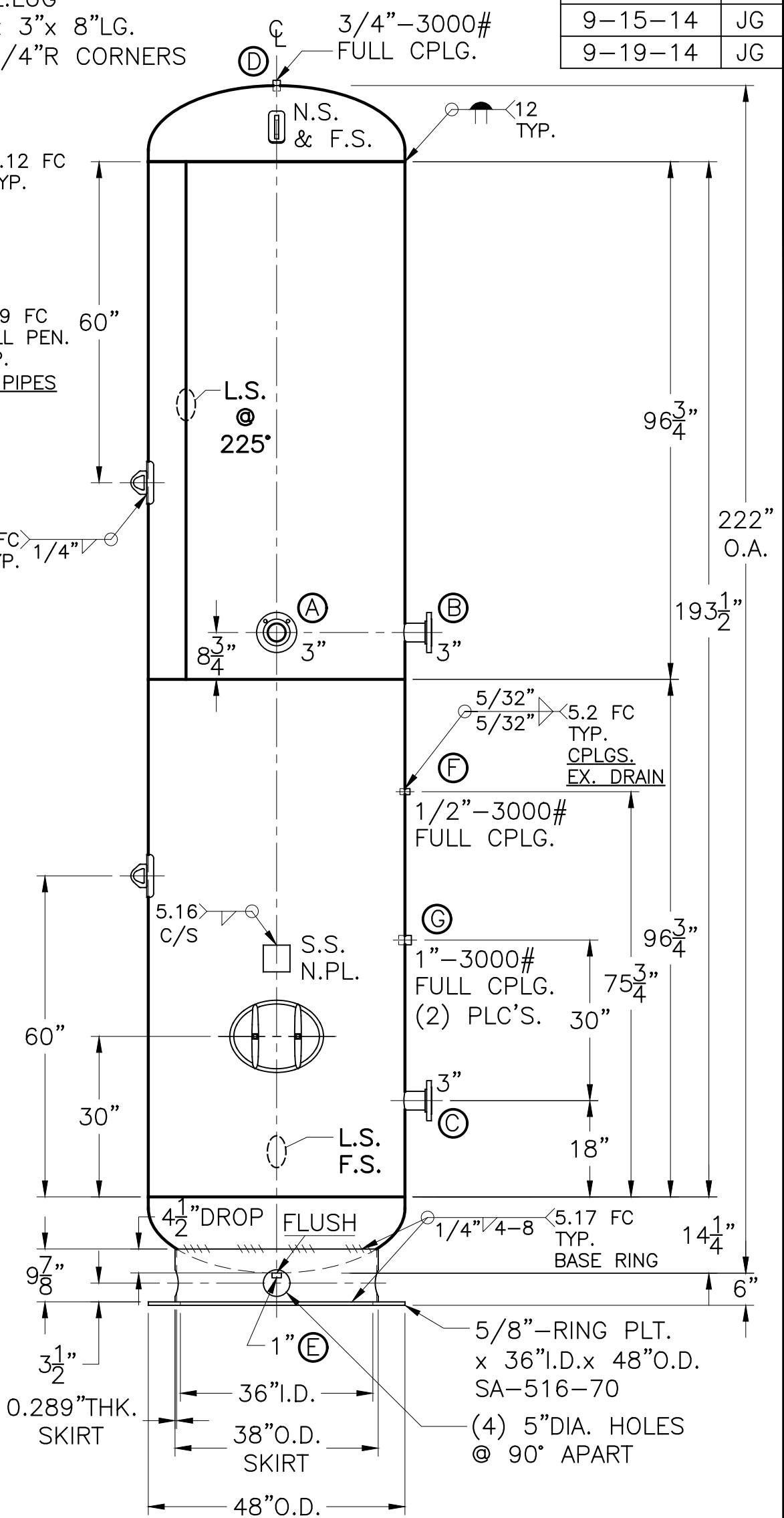
7/32" / 5/16" → 5.12 FC TYP.
3" 90°
.169" / 7/32" → 5.19 FC FULL PEN. TYP.
3" PIPES
5" TYP.

3"-150# R.F.S.O.
FLG. W/ SCH. 40
SA-106-B
PIPE x 5 1/8"LG.
FLUSH INSIDE
(3) PLC'S.

NOZZLE SCHEDULE		
ITEM	SIZE	FUNCTION
A	3"	OUTLET
B	3"	OUTLET
C	3"	INLET
D	3/4"	RELIEF VALVE
E	1"	DRAIN
F	1/2"	PRESSURE GAUGE
G	1"	SPARE

SHELL / HEADS	
M.A.W.P.	250 PSIG. @ 200 °F
M.D.M.T.	-20 °F @ 250 PSIG.
ASME SECTION VIII	DIV. 1, 2013
X-RAY	RT-4 SPOT L.S. & HEADS G.S.
GALLONS	1620 WT. 3990 LBS.
SERIAL NO.	
N.B.	

NOTE: 1) DESIGN FOR 110 MPH WIND LOAD.
2) HYDRO @ 375 PSIG. MIN. FOR 8 HOURS MIN.



AH-862-B	
FOR:	VERT. AIR TANK
DATE:	1-8-14
REV.	9-19-14
SCALE:	1/2"=12"
BY:	E.S. / STEVE
INSIDE:	EPOXY LINED
OUTSIDE:	S. BLAST, EPOXY & WHITE URETHANE TOPCOAT
SURFACE AREA:	242.0 SQ. FT.
UW-21(b)	
1600 E. WASHINGTON BLVD.	
LOS ANGELES, CA 90021	
ROY E. HANSON JR. MFG.	