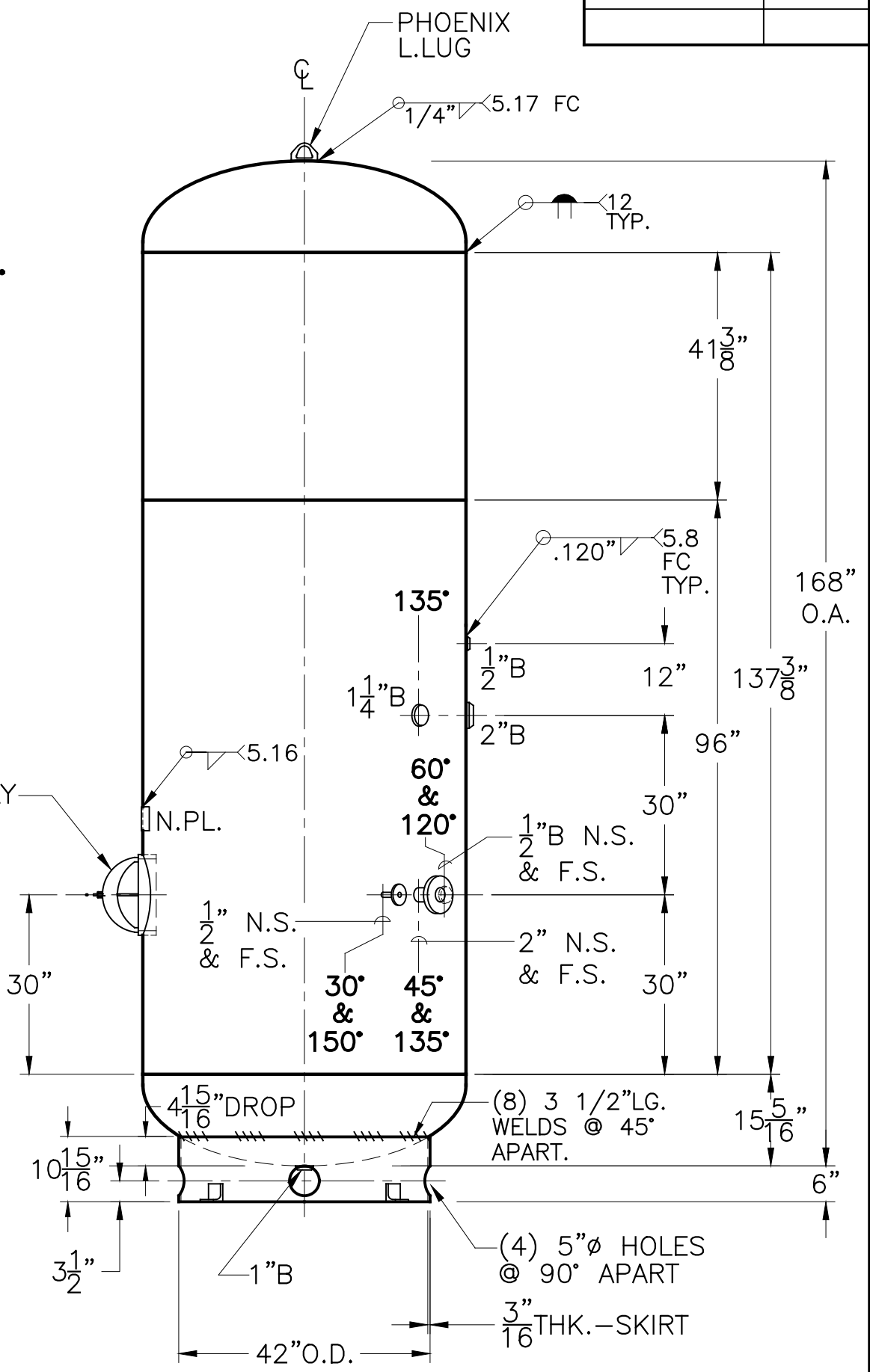
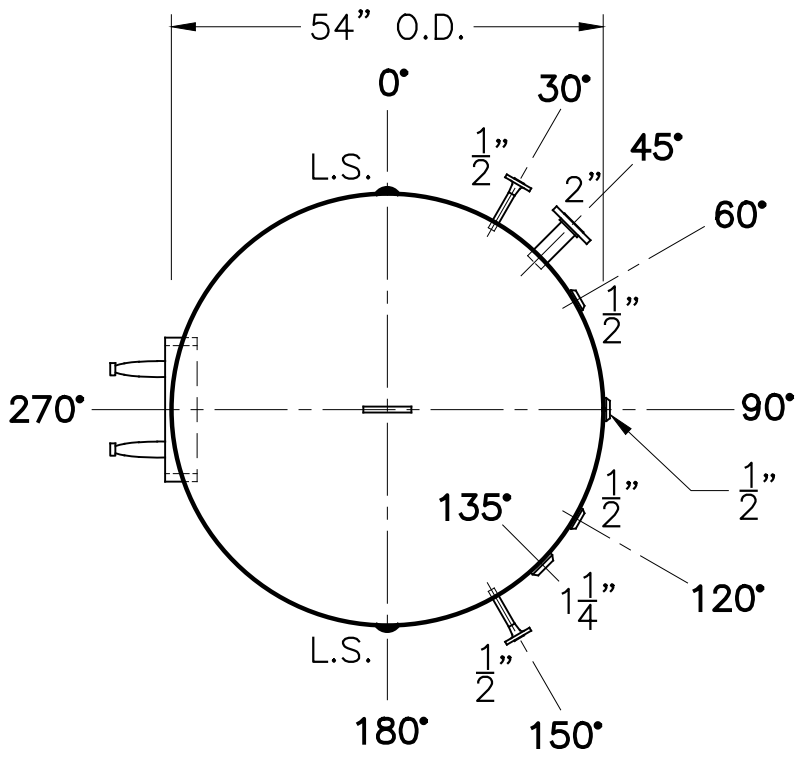


DATE	BY

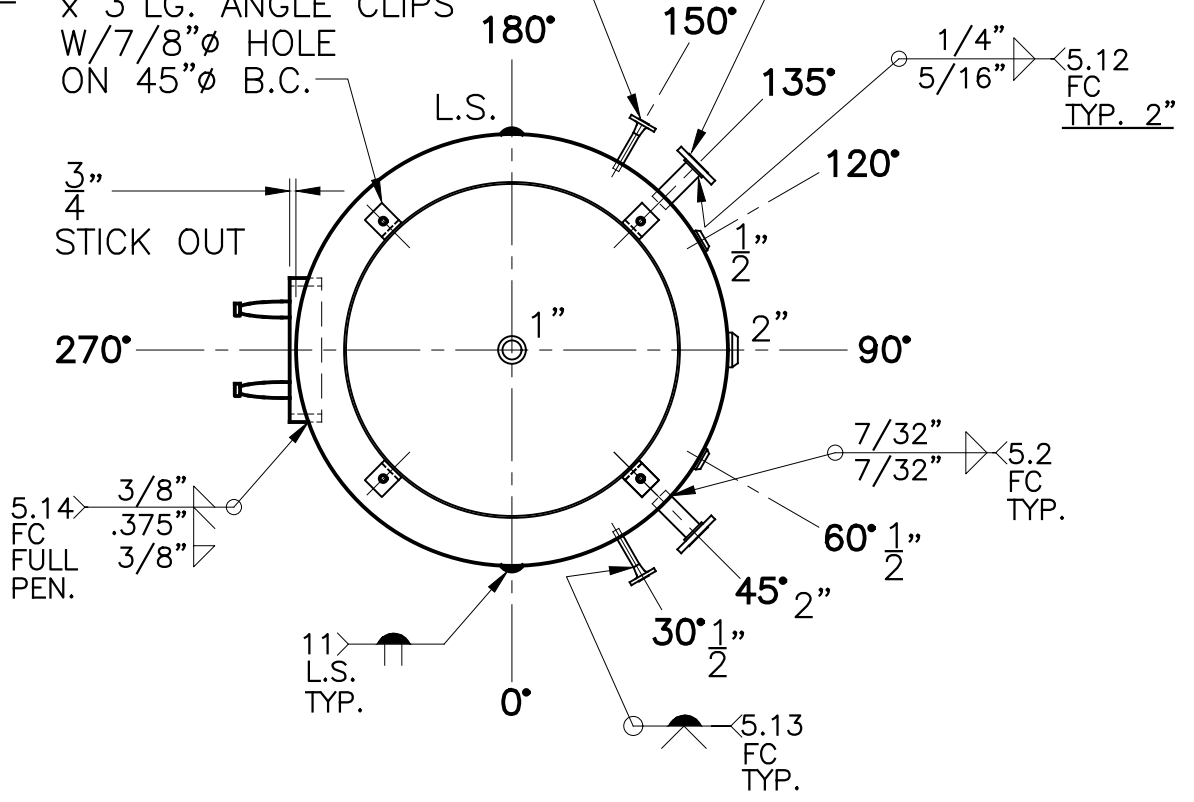


NOTE: 1) HYDRO @ 325 PSIG. MIN.

1/2"-150# R.F.W.N. FLG.  
W/SCH 80 BORE  
W/SCH 80 SA-106-B  
PIPE x 5 1/8" LG.  
(2) PLC'S

2"-150# R.F.S.O. FLG.  
W/SCH 80 SA-106-B  
PIPE x 7" LG.  
(2) PLC'S

(4) 3"x 3"x 1/2" THK.  
x 3" LG. ANGLE CLIPS  
W/ 7/8" Ø HOLE  
ON 45" Ø B.C.



SHELL / HEADS	.375" SA-455 (.334" MIN.)
M.A.W.P.	250 PSIG. @ 400 °F
M.D.M.T.	-20 °F @ 250 PSIG.
ASME SECTION VIII	DIV. 1, 2010 ADD 2011
X-RAY	RT-4 SPOT L.S. & SPOT HDS. G.S.
GALLONS	1550 WT. 3603 LBS.
SERIAL NO.	N.B.

FOR:	VERT. AIR TANK
SURFACE AREA	= 210.0 SQ. FT.
INSIDE:	UNPAINTED
OUTSIDE:	PRIME
BY:	J.G./B.C.
SCALE:	1/2" = 12"
REV.	AH-808-B
DATE:	9-21-12
<b>ROY E. HANSON JR. MFG.</b> 1600 E. WASHINGTON BLVD. LOS ANGELES, CA 90021	