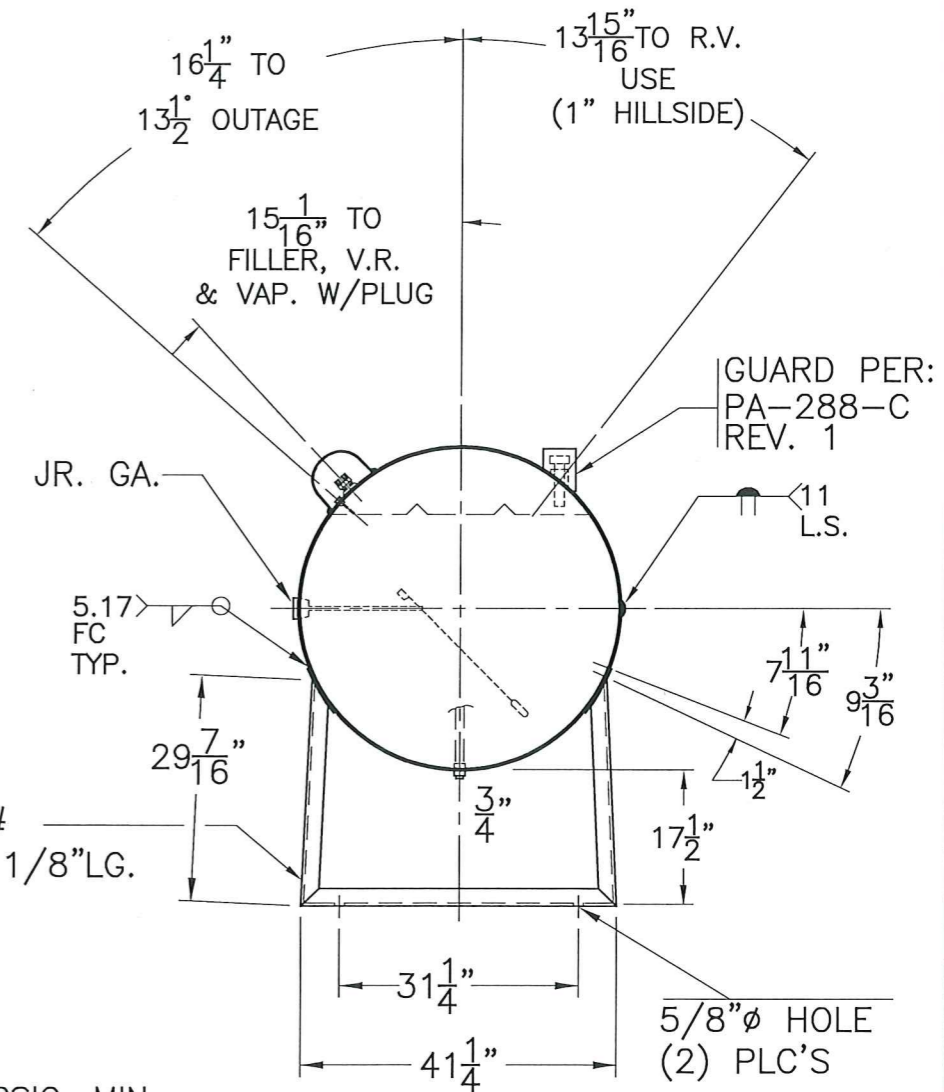
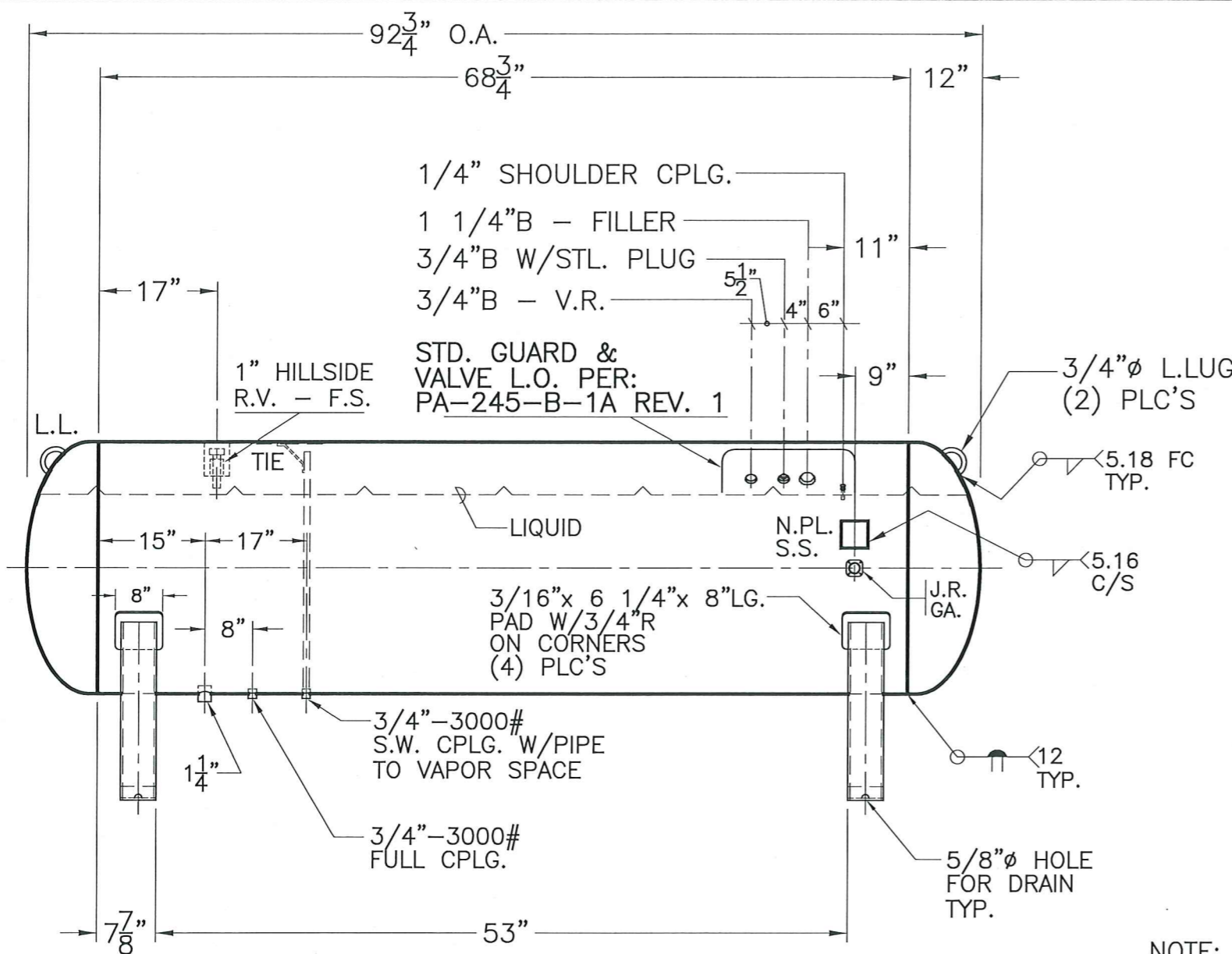
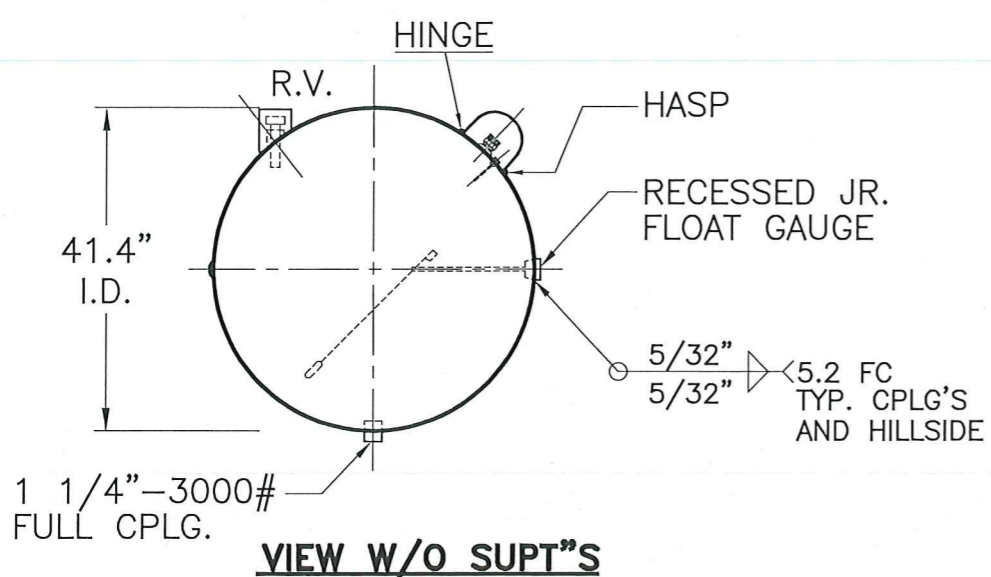


JOB No. _____
DATE: _____



M/F. 4"x 7.2# CHAN. x 100 1/8" LG. (2) PLC'S

NOTE: 1) HYDRO @ 325 PSIG. MIN.



SHELL / HEADS	.250" SA-455 2:1 S.E.	PA-497-B	REV. 5-14-19
	JOGGLE		DATE: 7-31-89
SHELL / HEADS	.289" SA-455	FOR: HANSON STANDARD	
		HORIZ. PROPANE TANK	
		CFM REQ. = 2206.3	
		SURFACE AREA = 93.0 SQ. FT.	
		INSIDE: UNPAINTED & DEHYDRATE	
		OUTSIDE: PRIME	
	M.A.W.P. 250 PSIG. @ 200 °F	BY: J.G./B.C. SCALE: 1/2"=12"	
	M.D.M.T. -20 °F @ 250 PSIG.	ROY E. HANSON JR. MFG.	
	ASME. SECTION VIII DIV. 1, 2017	LOS ANGELES, CA 90021	
	X-RAY: RT-4 SPOT L.S. & HDS. G.S.		
	GALLONS: 499 WT. 1245 LBS.		
	SERIAL NO.		
	N.B.		