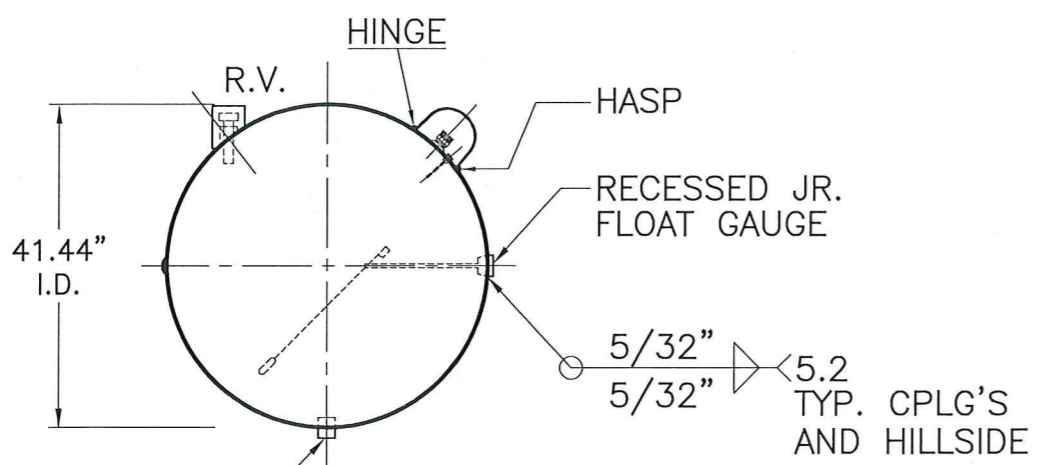


M/F. 6"x 8.2#  
CHAN. x 100 1/8" LG.  
(2) PLC'S

NOTE: 1) HYDRO @ 325 PSIG. MIN.



1 1/4"-3000# FULL CPLG.  
**VIEW W/O SUPT'S**

SHELL / HEADS	.245" SA-455 2:1 S.E.	<b>PA-496-B</b>	REV. 9-2-04
	JOGGLE		DATE: 7-31-03
SHELL / HEADS	.288" SA-455	FOR: HANSON STANDARD	
		HORIZ. PROPANE TANK DISPENSER	
		CFM REQ. = 2407	
		SURFACE AREA = 103.2 SQ. FT.	
		INSIDE: UNPAINTED & DEHYDRATE	
		OUTSIDE: PRIME	
		BY: J.G.	
		<b>ROY E. HANSON JR. MFG.</b>	
		1924 COMPTON AVE.	
		LOS ANGELES, CA 90011	

M.A.W.P.	250	PSIG.	@	200	°F
M.D.M.T.	-20	°F	@	250	PSIG.
ASME. SECTION VIII DIV. 1, 2001 ADD. 2003					
X-RAY: RT-4 SPOT L.S. & HDS. G.S.					
GALLONS:	575	WT.	1540	LBS.	
SERIAL NO.					
N.B.					