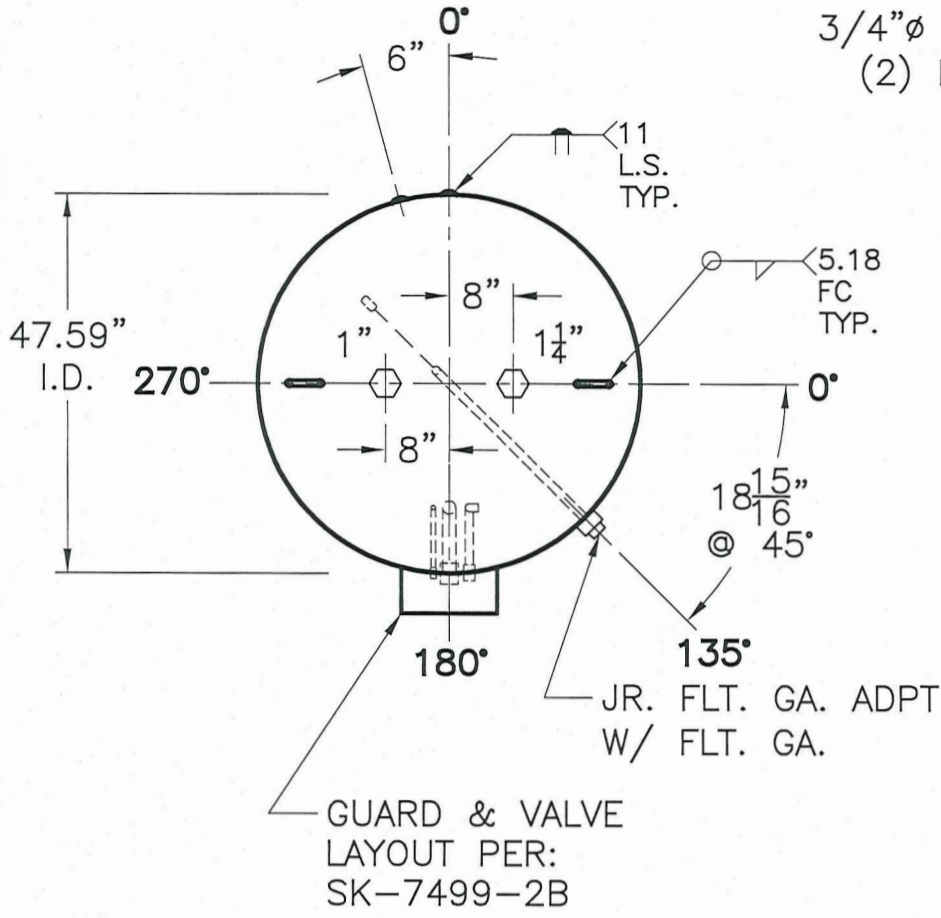
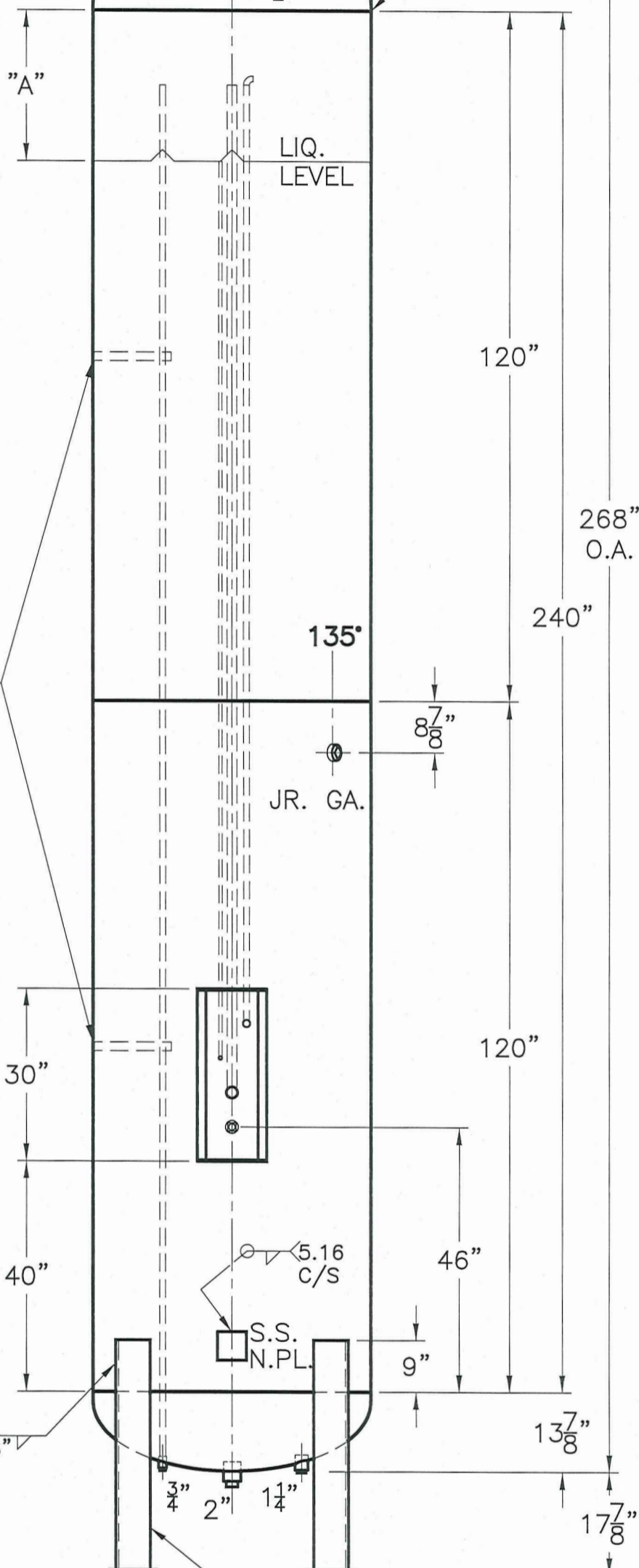


JOB No. _____
 DATE: _____



1"-3000# F.C. W/ R.V.
 1 1/4"-3000# F.C. W/ R.V.
 3/4"φ L.LUG (2) PLC'S.
 12 TYP.

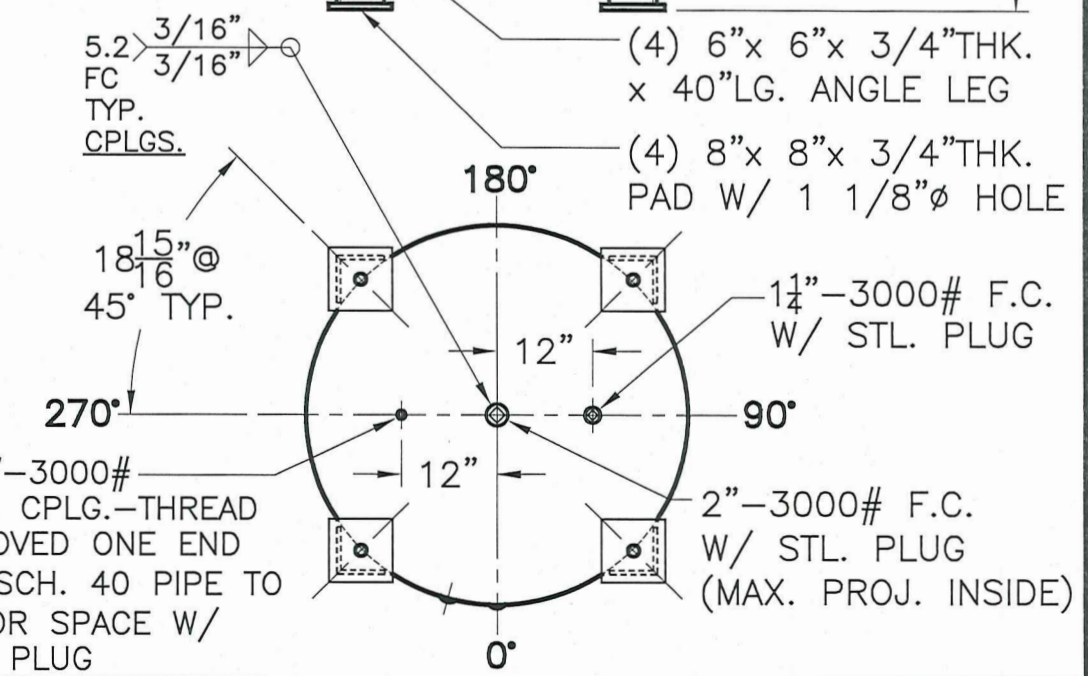


ANGLE CLIP PIPE TIE TYP.

LIQUID LEVEL	LIQUID LEVEL	LIQUID LEVEL
	79.8%	86.5%
"A"	43 5/8"	25.5"
D.T. N.PL.	56 3/4"	39"

NOTE: 1) WELDS TO, OR JOINING SA-612 HAVE W.P.S. W/ SUFFIX "B".
 2) INTERNAL PIPES PER PA-417-B-1B.
 3) HYDRO @ 325 PSIG. MIN.

SHELL / HEADS	
.338" SA-455	2:1 S.E.
BEVEL	
.375" SA-455	
M.A.W.P.	250 PSIG. @ 200 °F
M.D.M.T.	-20 °F @ 250 PSIG.
ASME SECTION VIII DIV. 1, 2019	
X-RAY: RT-4 SPOT L.S. & HDS. G.S.	
GALLONS:	1999 WT. 5030 LBS.
SERIAL NO.	
N.B.	



PA-417-B	
FOR: HANSON STANDARD	REV. 8-25-20
VERT. L.P.G. TANK.	DATE: 3-5-99
SURFACE AREA = 287.6 SQ. FT.	
C.F.M. REQ'D. = 5568	
INSIDE: UNPAINTED & DEHYDRATE	
OUTSIDE: PRIME	
LEG ZONE: 4-5 KM.	
BY: J.G.	SCALE: 1/2"=12"
ROY E. HANSON JR. MFG.	
LOS ANGELES, CA 90021	