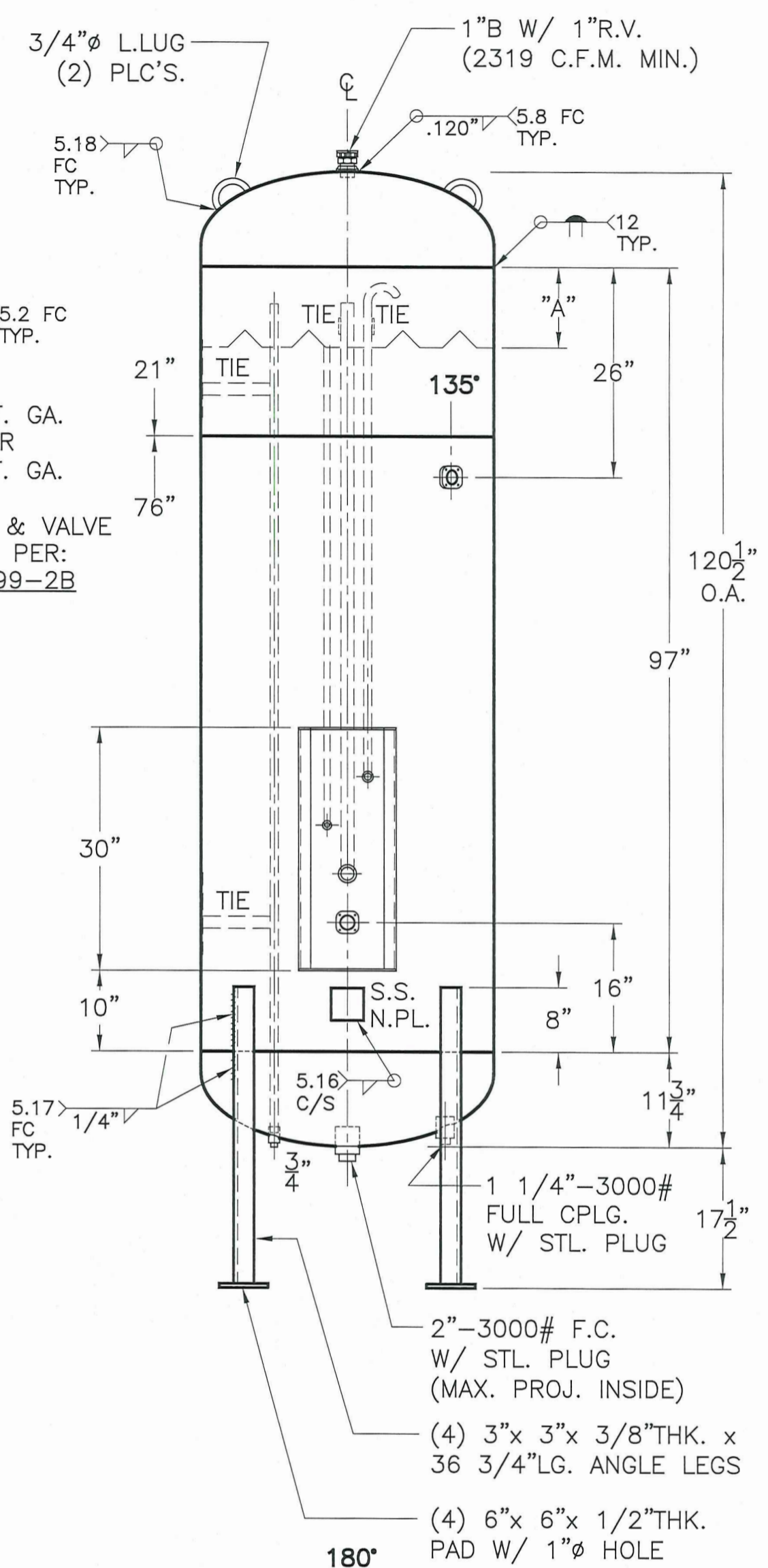
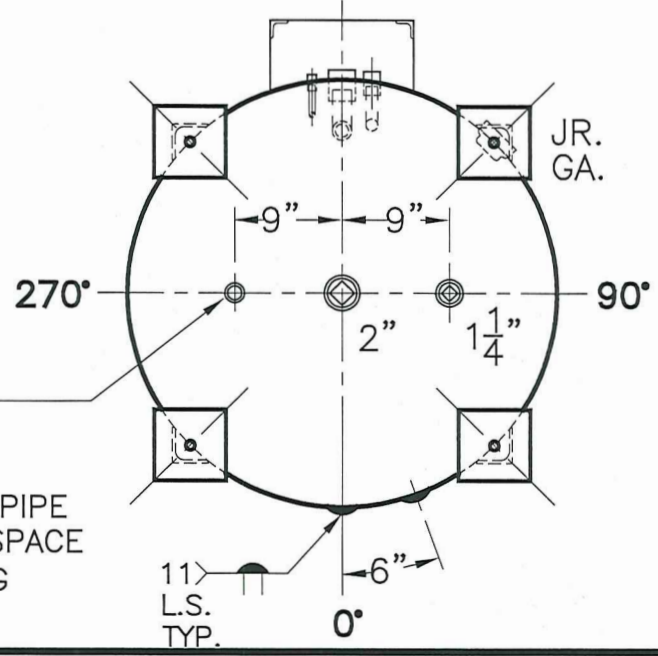


JR. FLT. GA. ADAPTER W/ FLT. GA.
 GUARD & VALVE LAYOUT PER: SK-7499-2B

	OTHER	CALIF.
	LIQUID LEVEL	
	79.8%	86 1/2%
"A"	10"	2 1/8"
D.T.	21 1/4"	13 3/8"



NOTE: 1) 2) INTERNAL PIPES PER: PA-720-B
 HYDRO @ 325 PSIG. MIN.



SHELL / HEADS	
JOGGLE	.218" SA-455 2:1 S.E.
	.250" SA-455
M.A.W.P.	250 PSIG. @ 200 °F
M.D.M.T.	-20 °F @ 250 PSIG.
ASME SECTION VIII DIV. 1, 2019	
X-RAY	RT-4 SPOT L.S. & HDS. G.S.
GALLONS	499 WT. 1202 LBS.
SERIAL NO.	
N.B.	

PA-414-B	REV. 5-8-20
FOR: HANSON STANDARD	DATE: 3-23-99
VERT. L.P.G. TANK	
SURFACE AREA = 100.1 SQ. FT.	
C.F.M. REQ'D = 2344	
INSIDE: UNPAINTED & DEHYDRATE	
OUTSIDE: PRIME	
LEG ZONE: 4-15 KM.	
BY: J.A.	SCALE: 3/4" = 12"
ROY E. HANSON JR. MFG.	
LOS ANGELES, CA 90021	