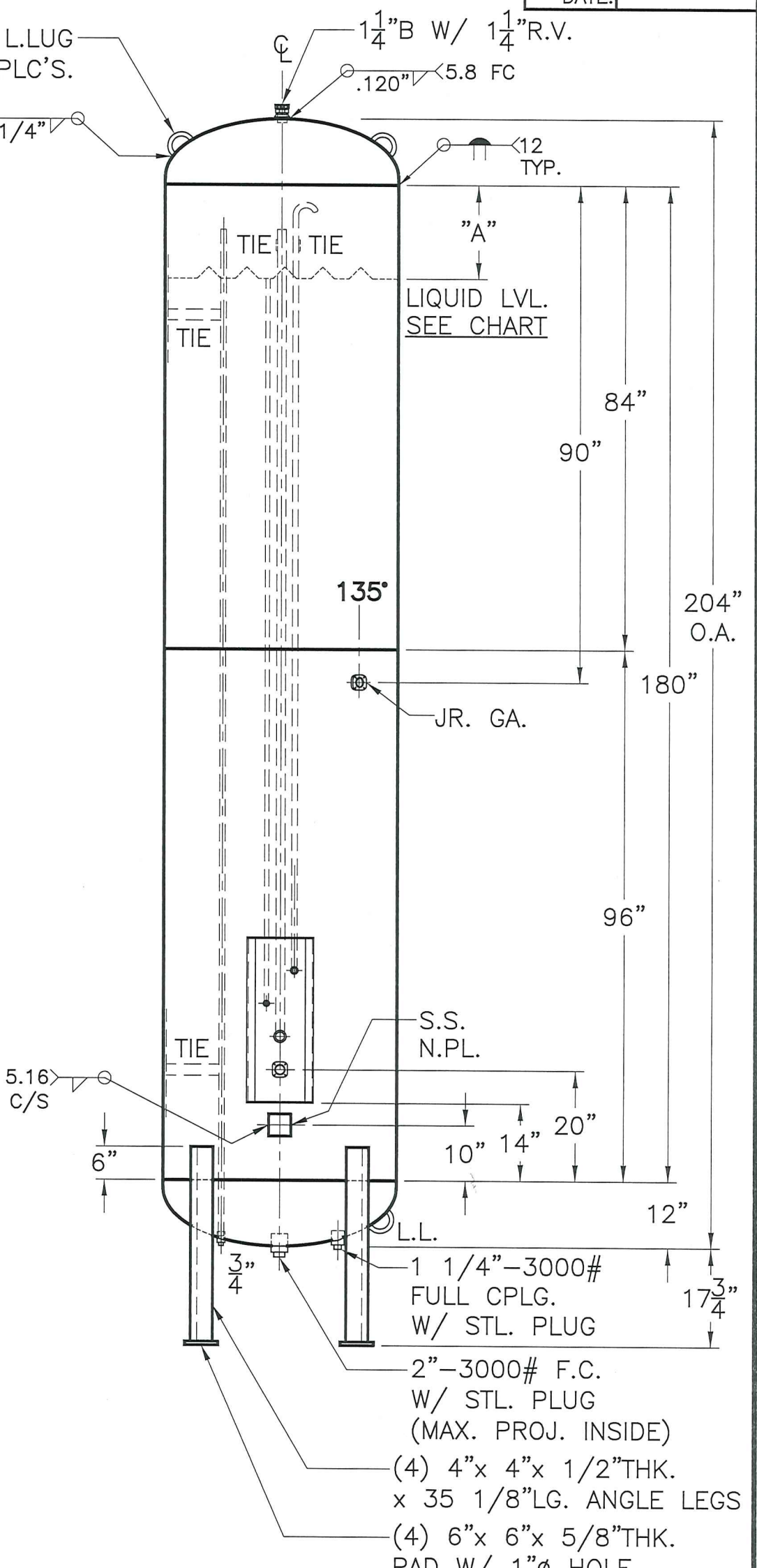
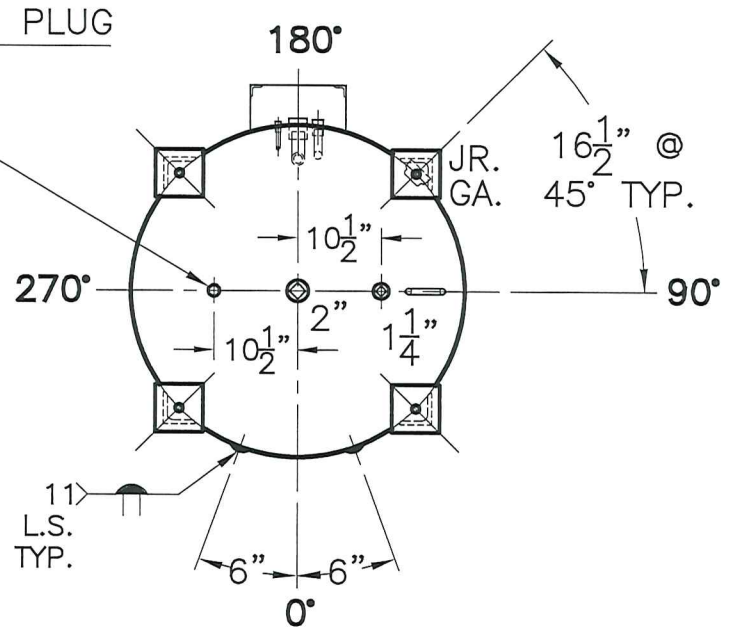


GUARD & VALVE LAYOUT PER: SK-7499-B-2B

OTHER	CALIF.	
79.8%	86 1/2%	LIQUID LEVEL
31 1/2"	17"	"A"
42.9"	28.4"	D.T. ON N.PL.



3/4"-3000# SERIES 650 SOCKET WELD W/ SCH. 40 PIPE INTO VAPOR SPACE W/ STL. PLUG



NOTE: 1) HYDRO @ 325 PSIG. MIN.  
2) INTERNAL PIPES PER: PA-412-B-1B  
3) WELDS TO, OR JOINING SA-612 HAVE W.P.S. W/SUFFIX "B"

SHELL / HEADS	.250" SA-455 2:1 S.E.	
	JOGGLE	
	.289" SA-612	
M.A.W.P.	250 PSIG. @	200 °F
M.D.M.T.	-20 °F @	250 PSIG.
ASME SECTION VIII DIV. 1, 2019		
X-RAY:	RT-4 SPOT L.S. & G.S.	
GALLONS:	1150	WT. 2828 LBS.
SERIAL NO.		
N.B.		
PA-412-B	REV. 1-29-20	DATE: 4-17-86
	FOR: HANSON STANDARD	
VERT. L.P.G. TANK		
SURFACE AREA = 194.1 SQ. FT.		
C.F.M. REQ'D 4033		
INSIDE: UNPAINTED & DEHYDRATE		
OUTSIDE: PRIME		
LEG-ZONE 4-15 KM.		
BY: J.A. / B.C.	SCALE: 1/2" = 12"	
ROY E. HANSON JR. MFG.		
LOS ANGELES, CA 90021		