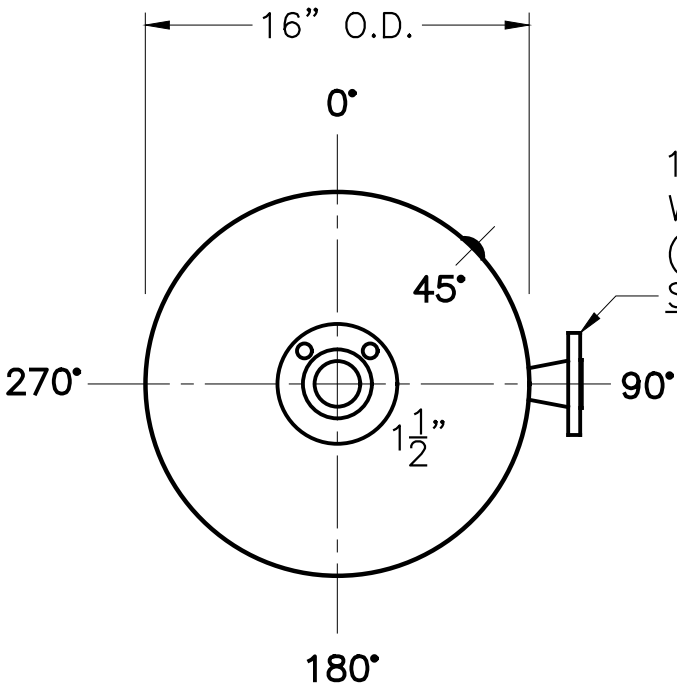
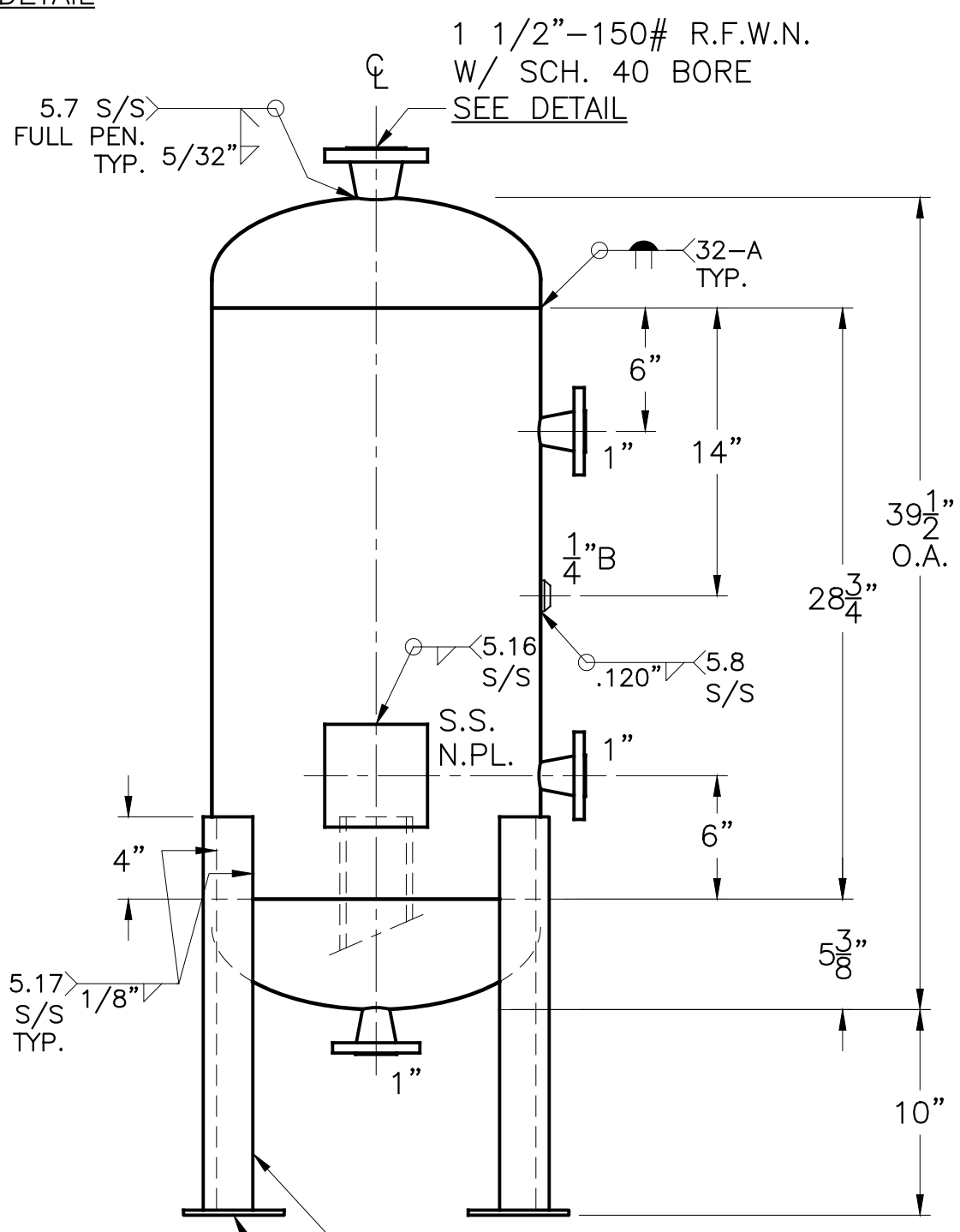
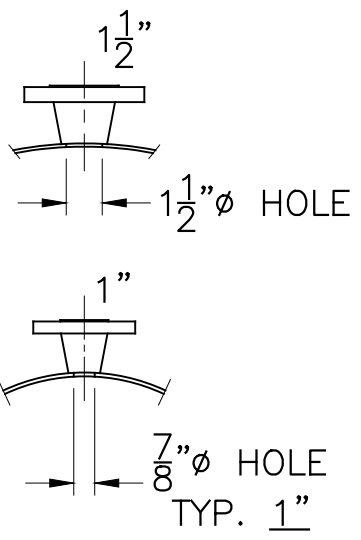


DATE	BY
10-18-13	RH
10-23-13	RH
10-24-13	BC



1"-150# R.F.W.N.
W/ SCH. 40 BORE
(3) PLC'S.
SEE DETAIL



1 1/2"-150# R.F.W.N.
W/ SCH. 40 BORE
SEE DETAIL

5.7 S/S
FULL PEN.
TYP. 5/32"

32-A
TYP.

1/4" B

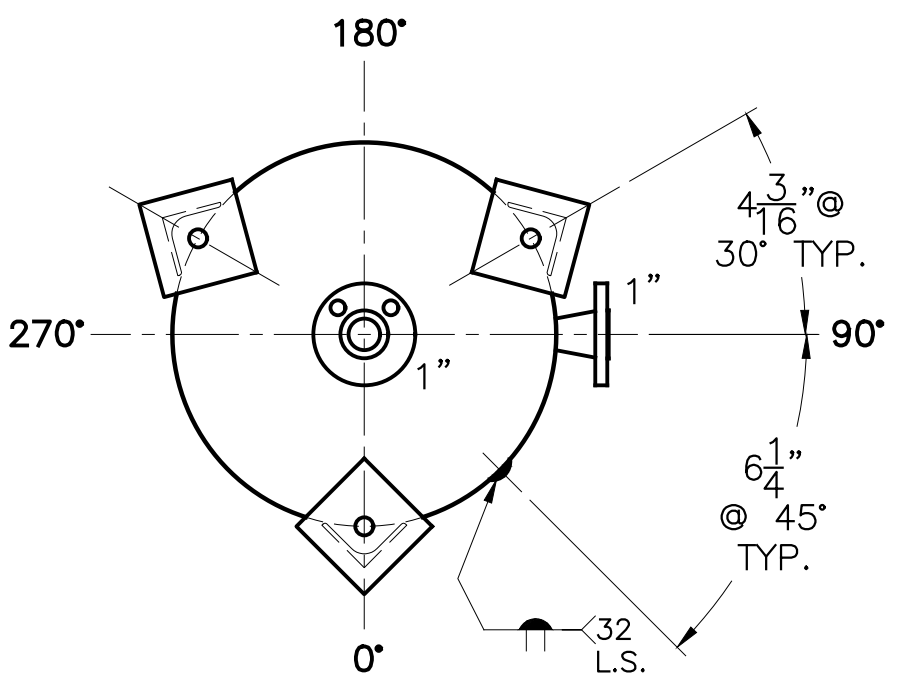
5.16 S/S
5.8 S/S

S.S.
N.PL.

5.17 S/S
TYP. 1/8"

(3) 2 1/2"x 2 1/2"x 1/4" THK.
x 19 1/8" LG. ANGLE LEGS
304 S.S.

(3) 4"x 4"x 1/4" THK.
PAD W/ 3/4" Ø HOLE
304 S.S.



NOTE: 1) HYDRO @ 260 PSIG. MIN.
2) ALL FLGS. & FNPT'S SA-182-304 S.S.
3) ALL 304 S.S. CONSTRUCTION.

SHELL / HEADS	
JOGGLE	.135" SA-240-304 2:1 S.E.
	.187" SA-240-304
M.A.W.P.	200 PSIG. @ 200 °F
M.D.M.T.	0 °F @ 200 PSIG.
ASME SECTION VIII	DIV. 1, 2010 ADD 2011
X-RAY:	RT-NO
GALLONS:	30
SERIAL NO.	WT. 152 LBS.
N.B.	

MB-701-B	REV. 10-24-13
	DATE: 10-18-13
FOR:	VERT. NATURAL GAS TANK (NON-CORROSIVE)
	SURFACE AREA = 14.9 SQ. FT.
	INSIDE: PASSIVATE
	OUTSIDE: BEAD BLAST & PASSIVATE
BY: E.S. / B.C.	SCALE: 1/8"=1"
ROY E. HANSON JR. MFG.	
1600 E. WASHINGTON BLVD. LOS ANGELES, CA 90021	