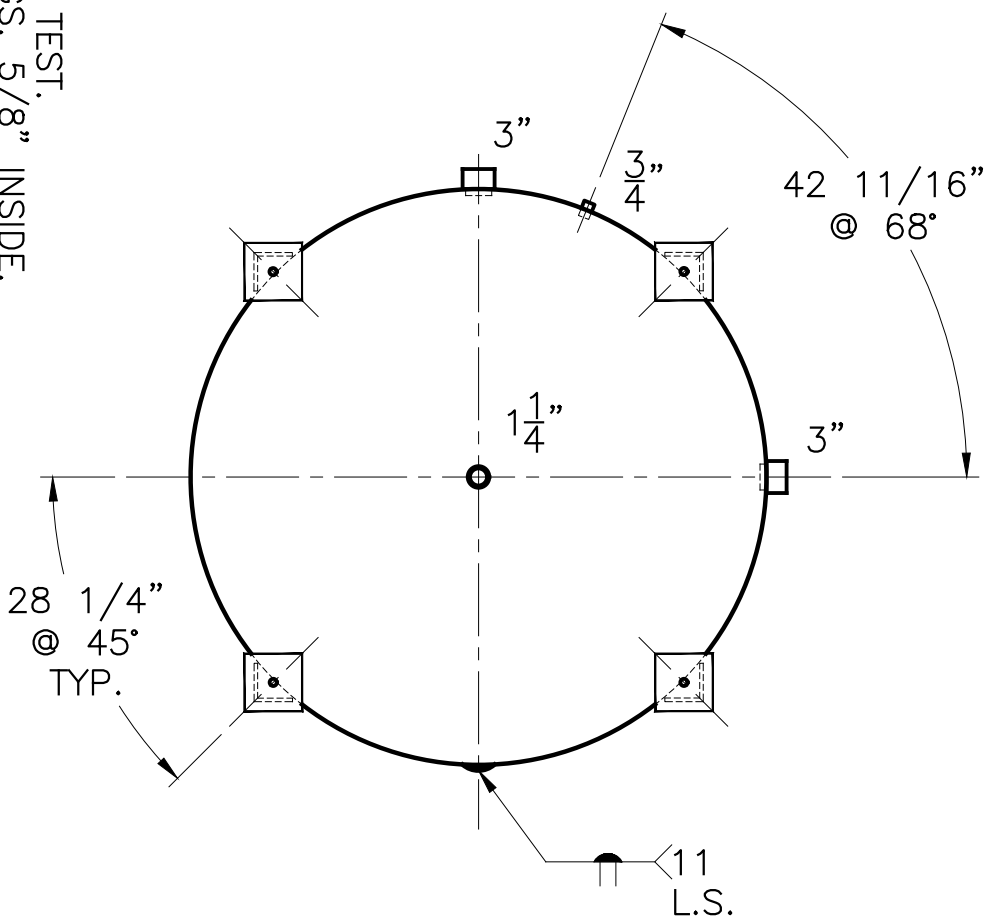


- (4) 5" x 5" x 1/2" THK. x 30 7/8" LG. ANGLE LEGS
- (4) 8" x 8" x 5/8" THK. PADS W/ 1"  $\phi$  HOLES



NOTE: 1) SEAL ALL OPENINGS TO KEEP CEMENT MOIST TO PREVENT CRACKING.  
 2) HYDRO @ 225 PSIG. MIN. TO 235 PSIG. MAX.  
 3) EXTEND ALL CPLGS. 5/8" INSIDE.  
 4) 8-26-04 PROOF TEST.

.280" SA-455 2:1 S.E.  
 (.210" MIN.)

CS-72-1950-V REV. 9-9-04  
 DATE: 3-27-03

FOR: HANSON STANDARD  
 VERT. WATER TANK

213.3 SQ. FT. SURFACE AREA.  
 THIS TANK IS SHIPPED WITH ALL OPENINGS SEALED. THE CEMENT LINING MUST BE KEPT MOIST BEFORE, DURING, AND AFTER INSTALLATION TO PREVENT CRACKING OF THE CEMENT.

INSIDE: CEMENT LINED  
 OUTSIDE: PRIME

(1874) LEG-ZONE 4-15 KM.  
 CAD-"B" UNDER "STD"-SERIES

BY: E.S.  
 SCALE: 1/2"=12"  
**ROY E. HANSON JR. MFG.**

SHELL / HEADS	
.248" SA-455	
M.A.W.P. 150 PSIG. @ 210 °F	
ASME SECTION IV 2001 ADD. 2003	
X-RAY: RT-NO / H.L.W.	
GALLONS: 1950	WT. 4205 LBS.
SERIAL NO.	
N.B.	

1924 COMPTON AVE.  
 LOS ANGELES, CA 90011