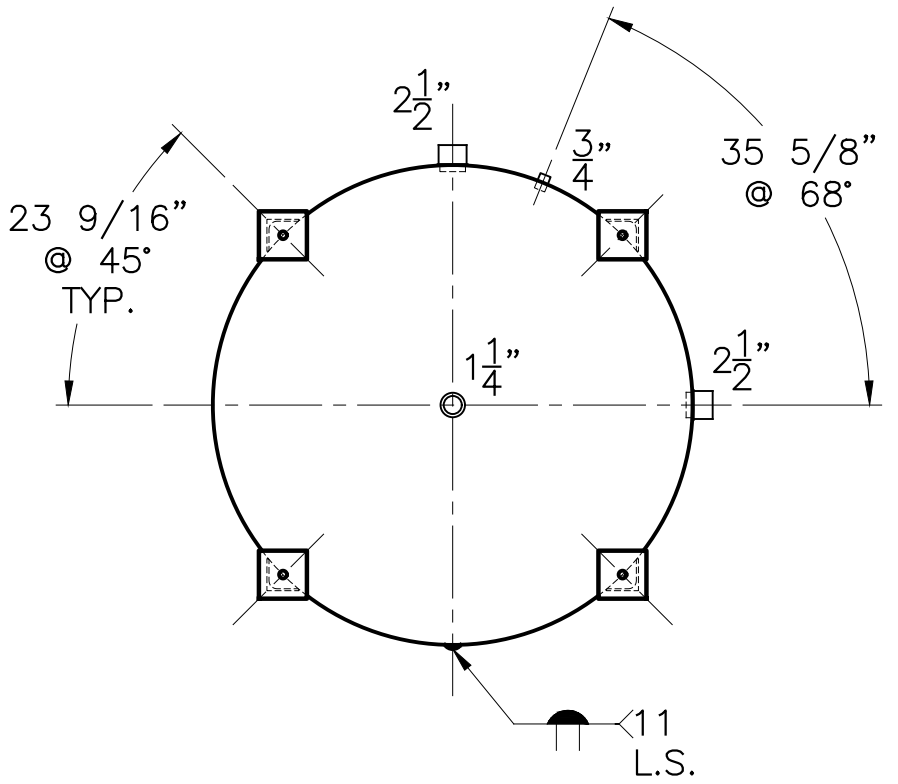
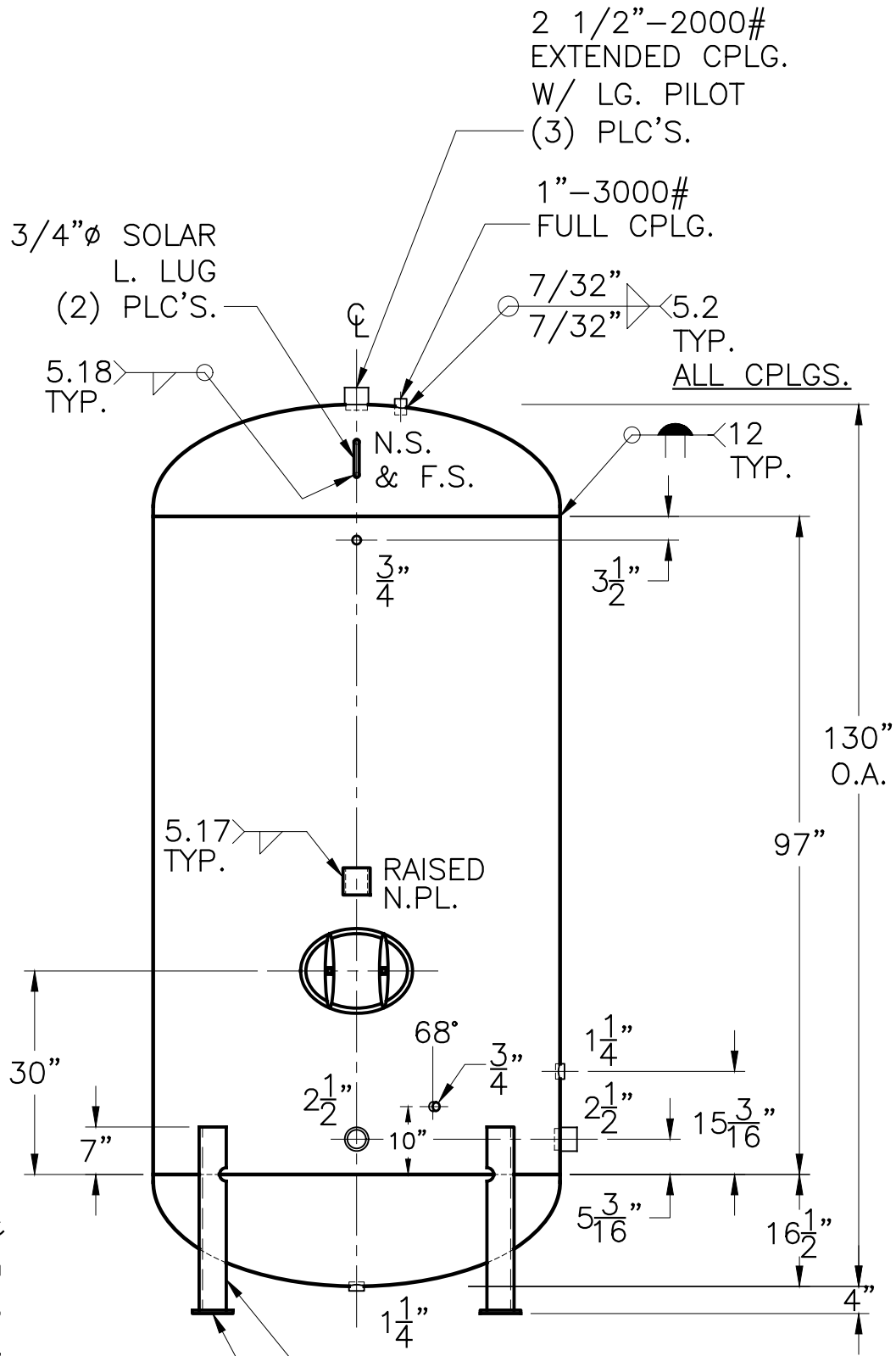


5/16" STICK OUT



NOTE: 1) SEAL ALL OPENINGS TO KEEP CEMENT MOIST TO PREVENT CRACKING.
 2) HYDRO @ 188 PSIG. MIN. TO 197 PSIG. MAX.
 3) EXTEND ALL CPLGS. 5/8" INSIDE.
 4) 5-6-04 PROOF TEST.

SHELL / HEADS		.225" SA-455 2:1 S.E. (.199" MIN.)	
.218" SA-455			
M.A.W.P.	125 PSIG. @ 210 °F		
ASME SECTION IV	2001 ADD. 2003		
X-RAY:	RT-NO / H.L.W.		
GALLONS:	1450 WT. 3419 LBS.		
SERIAL NO.	N.B.		
INSIDE: CEMENT LINED		OUTSIDE: PRIME	
FOR: HANSON STANDARD		REV. 9-13-04	
VERT. HOT WATER TANK		DATE: 3-27-03	
185.0 SQ. FT. SURFACE AREA.		CS-60-1450-V	
THIS TANK IS SHIPPED WITH ALL OPENINGS SEALED. THE CEMENT LINING MUST BE KEPT MOIST BEFORE, DURING, AND AFTER INSTALLATION TO PREVENT CRACKING OF THE CEMENT.		FOR: HANSON STANDARD	
INSIDE: CEMENT LINED		LEG-ZONE 4-15 KM.	
OUTSIDE: PRIME		CAD-"B" UNDER "STD"-SERIES	
		BY: E.S.	
		SCALE: 1/2"=12"	
		ROY E. HANSON JR. MFG.	
		1924 COMPTON AVE.	
		LOS ANGELES, CA 90011	