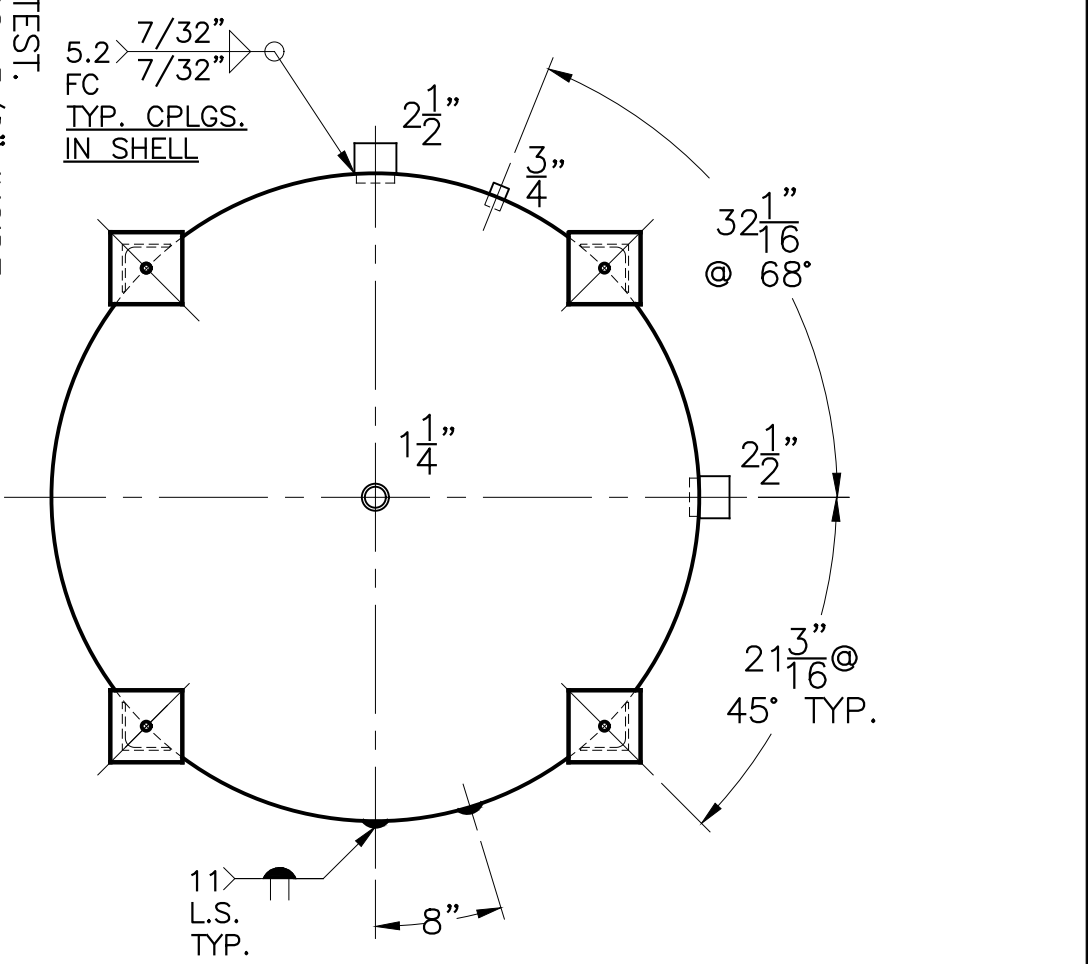


SHELL / HEADS	
.230" SA-455	
M.A.W.P.	160 PSIG. @ 210 °F
ASME SECTION	IV 2004 ADD. 2006
X-RAY:	RT-NO / H.L.W.
GALLONS:	1040 WT. 2813 LBS.
SERIAL NO.	N.B.

NOTE: 1) SEAL ALL OPENINGS TO KEEP CEMENT MOIST TO PREVENT CRACKING.	
2) HYDRO @ 240 PSIG. MIN.	
3) EXTEND ALL CPLGS. 5/8" INSIDE.	
4) 8-4-04 PROOF TEST.	
.250" SA-455 2:1 S.E.	
JOGGLED	
FOR:	HANSON STANDARD
VERT. HOT WATER TANK.	
146.1 SQ. FT. SURFACE AREA.	
THIS TANK IS SHIPPED WITH ALL OPENINGS SEALED. THE CEMENT LINING MUST BE KEPT MOIST BEFORE, DURING, AND AFTER INSTALLATION TO PREVENT CRACKING OF THE CEMENT.	
INSIDE:	CEMENT LINED
OUTSIDE:	PRIME
(993)	LEG-ZONE 4-15 KM.
CAD-"B" UNDER "STD"-SERIES	
BY: J.G.	SCALE: 3/4" = 1'
ROY E. HANSON JR. MFG.	
1600 E. WASHINGTON BLVD. LOS ANGELES, CA 90021	

NOTE: 1) SEAL ALL OPENINGS TO KEEP CEMENT MOIST TO PREVENT CRACKING.
 2) HYDRO @ 240 PSIG. MIN.
 3) EXTEND ALL CPLGS. 5/8" INSIDE.
 4) 8-4-04 PROOF TEST.



(4) 4"x 4"x 3/8" THK. x 24 7/8" LG. ANGLE LEG
 (4) 6"x 6"x 1/2" THK. PAD W/ 3/4" Ø HOLE FOR 1/2" Ø x 6" LG. GRADE 5 OR BETTER