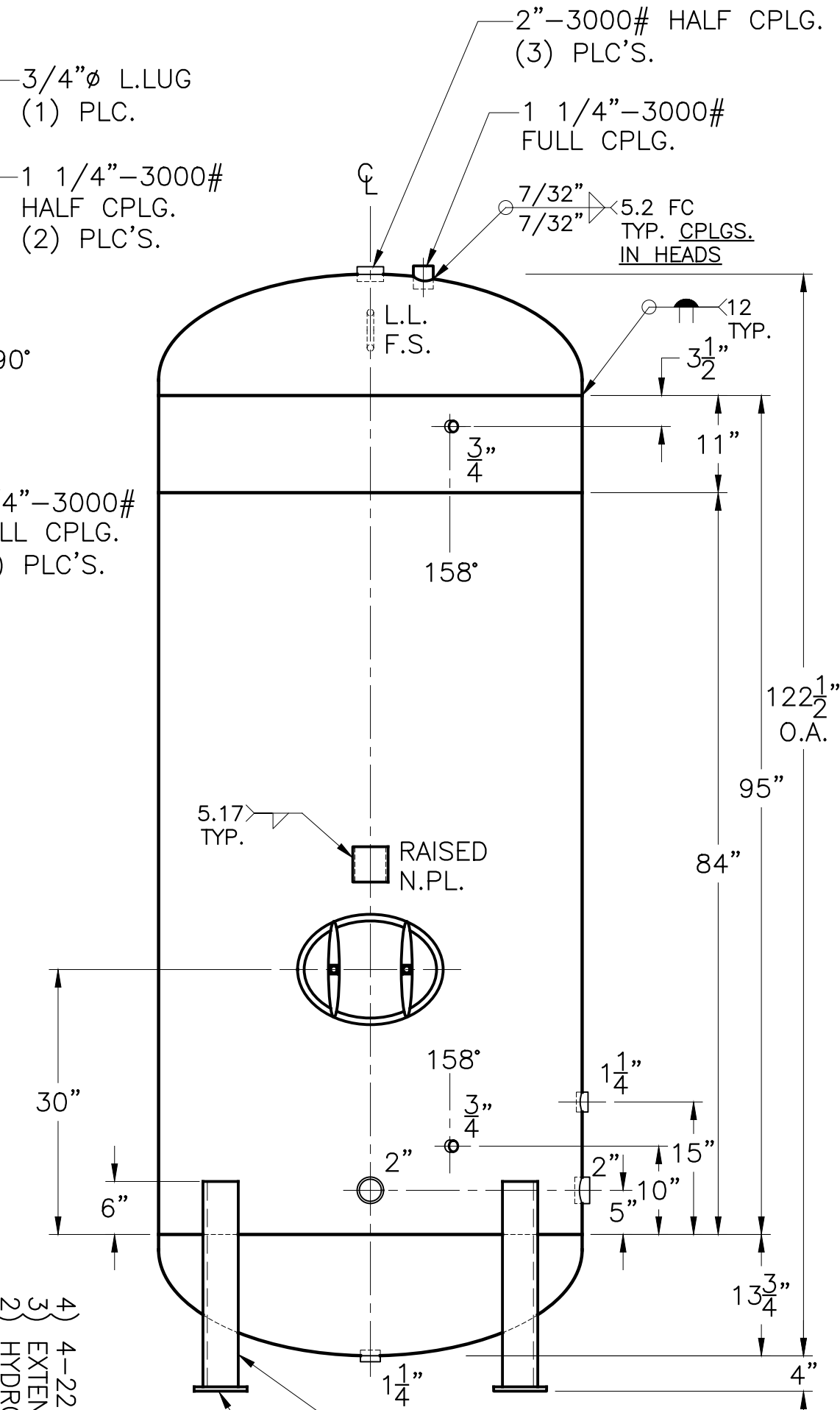


11"x 15"H.HOLE  
W/ 3/4"x 4"LG.  
GR.70 RING

SHELL / HEADS	
M.A.W.P.	160 PSIG. @ 210 °F
ASME SECTION	IV 2004 ADD. 2006
X-RAY:	RT-NO / H.L.W.
GALLONS:	900 WT. 2384 LBS.
SERIAL NO.	N.B.
.200" SA-455	
.245" SA-455 2:1 S.E.	
JOGGLE - .208 OFFSET	

FOR:	HANSON STANDARD
VERT. HOT WATER TANK.	
136.7 SQ. FT. SURFACE AREA.	
THIS TANK IS SHIPPED WITH ALL OPENINGS SEALED. THE CEMENT LINING MUST BE KEPT MOIST BEFORE, DURING, AND AFTER INSTALLATION TO PREVENT CRACKING OF THE CEMENT.	
INSIDE:	CEMENT LINED
OUTSIDE:	PRIME
(848)	LEG-ZONE 4-15 KM.
CAD-"B" UNDER "STD"-SERIES	
BY: J.G.	SCALE: 3/4" = 1'
<b>ROY E. HANSON JR. MFG.</b>	
1600 E. WASHINGTON BLVD. LOS ANGELES, CA 90021	

NOTE: 1) SEAL ALL OPENINGS TO KEEP CEMENT MOIST TO PREVENT CRACKING.  
 2) HYDRO @ 240 PSIG.  
 3) EXTEND ALL CPLGS. 5/8" INSIDE.  
 4) 4-22-04 PROOF TEST.



(4) 4"x 4"x 3/8"THK. x 23 1/4"LG. ANGLE LEGS  
 (4) 6"x 6"x 1/2"THK. PAD W/ 3/4"Ø HOLE FOR 1/2"Ø x 6"LG. BOLTS GRADE 5 OR BETTER

