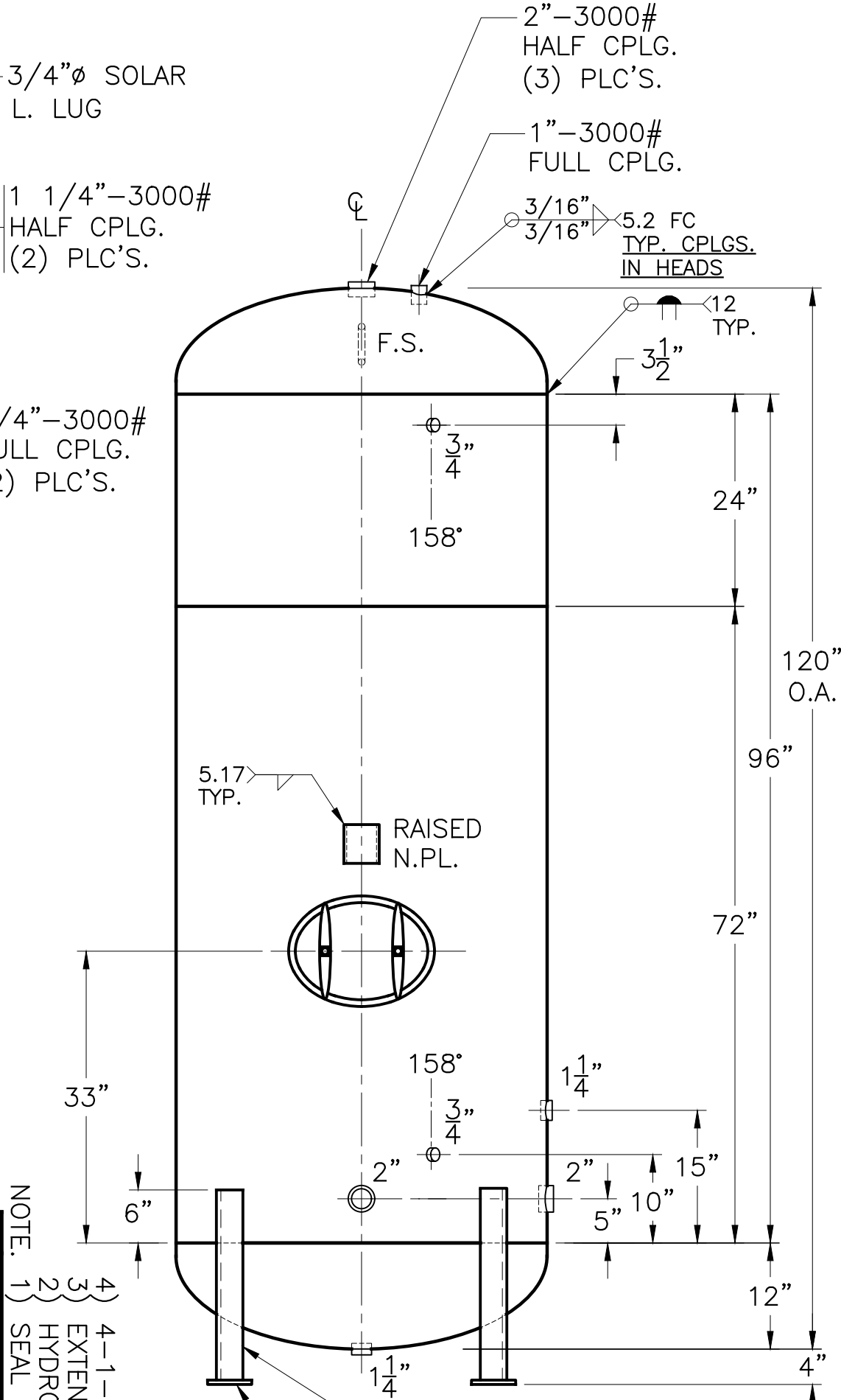


11"x 15"H.HOLE  
W/ 3/4"x 4"LG.  
GR.70 RING



NOTE. 1) SEAL ALL OPENINGS TO KEEP CEMENT MOIST TO PREVENT CRACKING.  
2) HYDRO @ 240 PSIG.  
3) EXTEND ALL CPLG'S 5/8" INSIDE.  
4) 4-1-04 PROOF TEST.

SHELL / HEADS		
.205" SA-455	2:1 S.E.	
JOGGLE		
.189 OFFSET - BROWN STRIPE		
.175" SA-414-G		
M.A.W.P.	160 PSIG.	@ 210 °F
ASME SECTION IV	2004 ADD 2006	
X-RAY:	RT-NO / H.L.W.	
GALLONS:	660	WT. 1898 LBS.
SERIAL NO.		
N.B.		

CS-42-660-V	REV. 1-22-07
FOR: HANSON STANDARD	DATE: 5-21-96
VERT. HOT WATER TANK	
115.8 SQ. FT. SURFACE AREA.	
THIS TANK IS SHIPPED WITH ALL OPENINGS SEALED. THE CEMENT LINING MUST BE KEPT MOIST BEFORE, DURING, AND AFTER INSTALLATION TO PREVENT CRACKING OF THE CEMENT.	
INSIDE: CEMENT LINED	
OUTSIDE: PRIME	
(632) LEG ZONE: 4-15 KM.	
CAD "B" UNDER "STD"-SERIES	
BY: J.G.	SCALE: 3/4"=12"
<b>ROY E. HANSON JR. MFG.</b>	
1600 E. WASHINGTON BLVD. LOS ANGELES, CA 90021	

