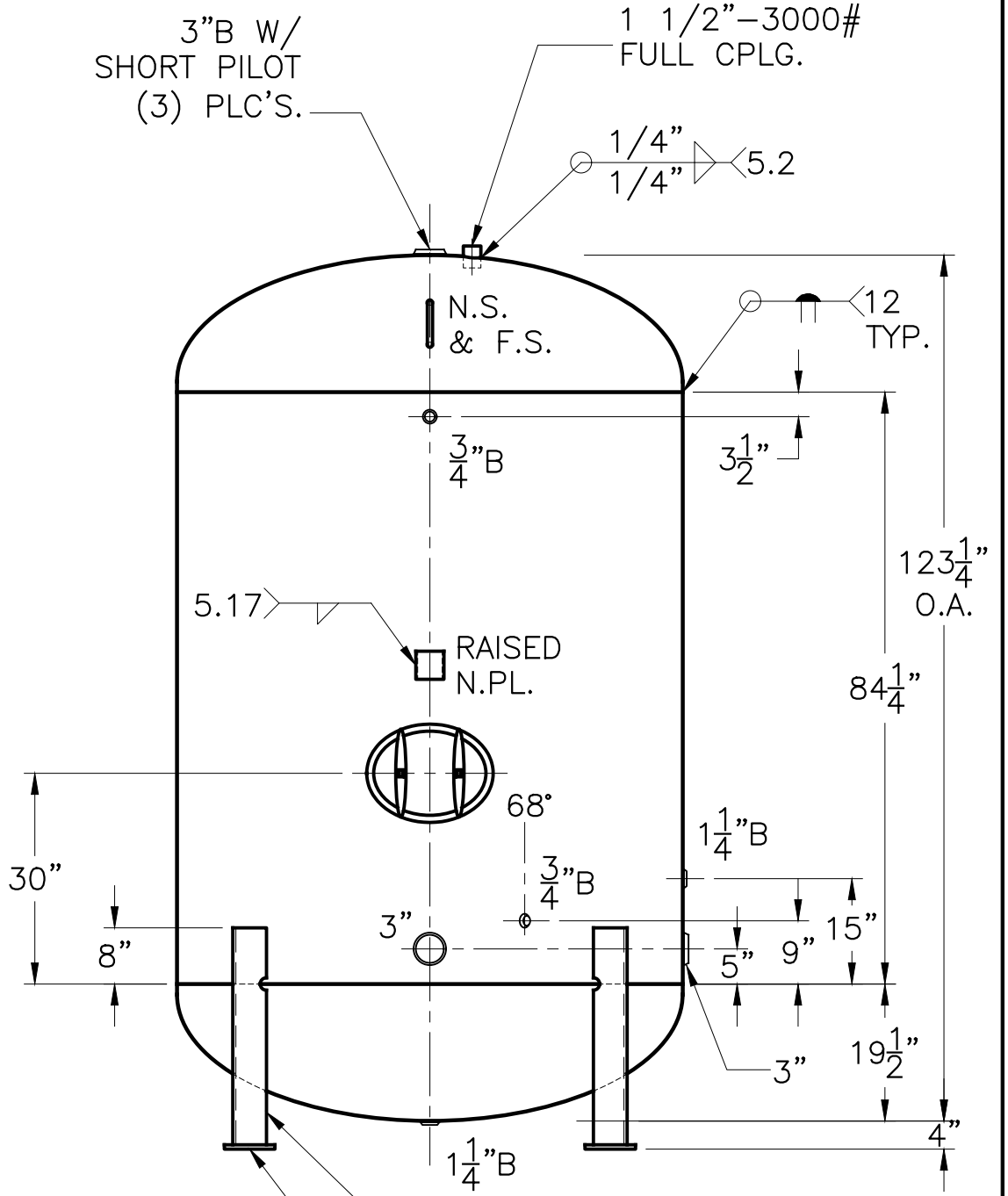


3/4"Ø SOLAR  
L. LUG  
(2) PLC'S.



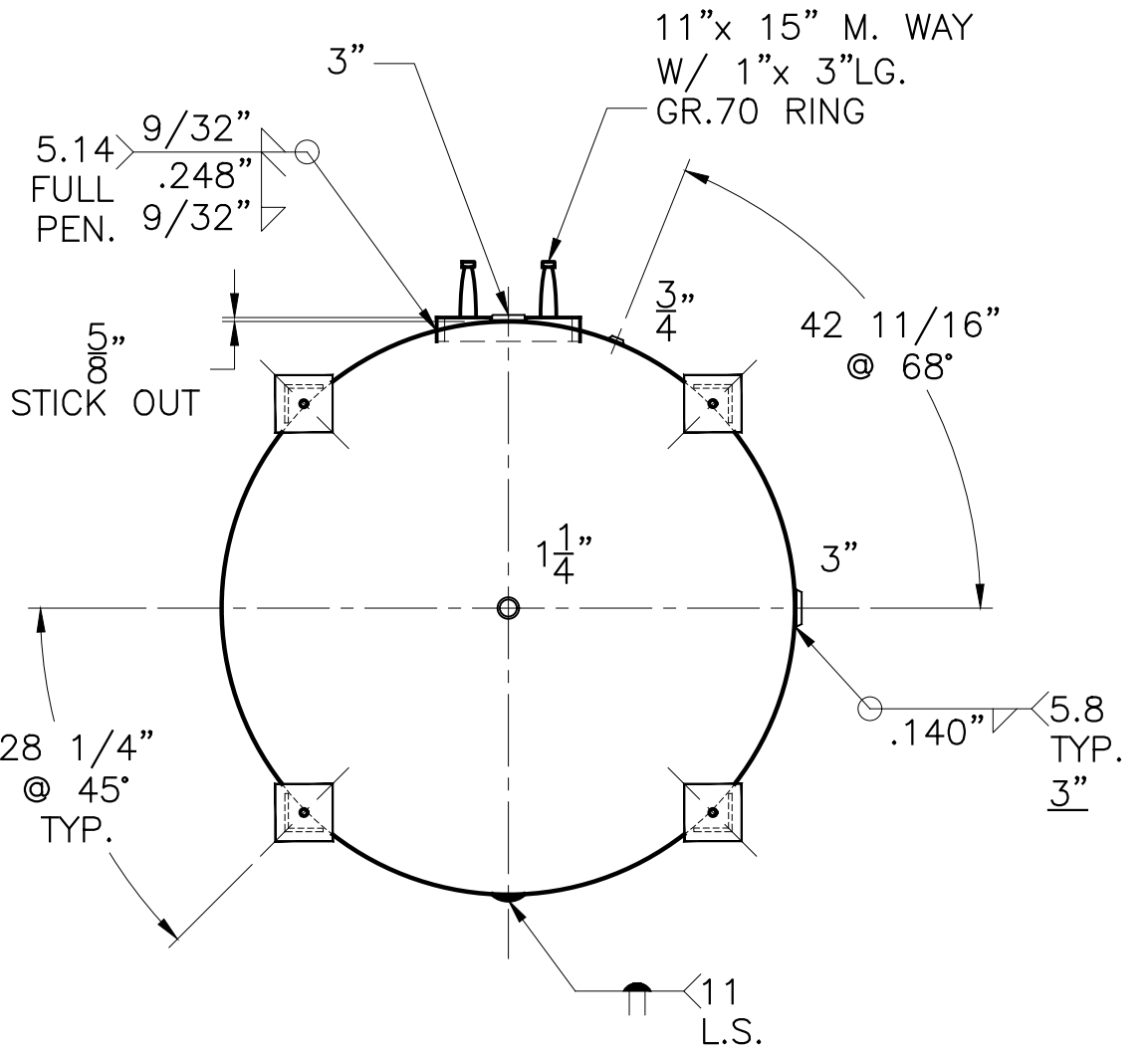
3" B W/  
SHORT PILOT  
(3) PLC'S.

1 1/2"-3000#  
FULL CPLG.

(4) 5"x 5"x 1/2" THK.  
x 30 7/8" LG. ANGLE LEGS

(4) 8"x 8"x 5/8" THK.  
PADS W/ 1"Ø HOLES

11"x 15" M. WAY  
W/ 1"x 3" LG.  
GR.70 RING



NOTE: 1) 2) 8-26-04 PROOF TEST.  
HYDRO @ 225 PSIG. MIN. TO 235 PSIG. MAX.

SHELL / HEADS		.280" SA-455 2:1 S.E. (.210" MIN.)	
M.A.W.P.	150 PSIG. @ 180 °F	ASME. SECTION IV	2001 ADD 2003
X-RAY:	RT-NO / H.L.W.	GALLONS:	1950 WT. 2659 LBS.
SERIAL NO.			
FOR: HANSON STANDARD VERT. HOT WATER TANK		SURFACE AREA = 213.3 SQ. FT.	
INSIDE: EPOXY LINED		OUTSIDE: PRIME	
LEG-ZONE 4-15 KM.		CAD-"B" UNDER "STD"-SERIES	
BY: E.S.		SCALE: 1/2" = 12"	
ROY E. HANSON JR. MFG.		1924 COMPTON AVE. LOS ANGELES, CA 90011	
REV.	9-9-04	DATE:	9-25-89