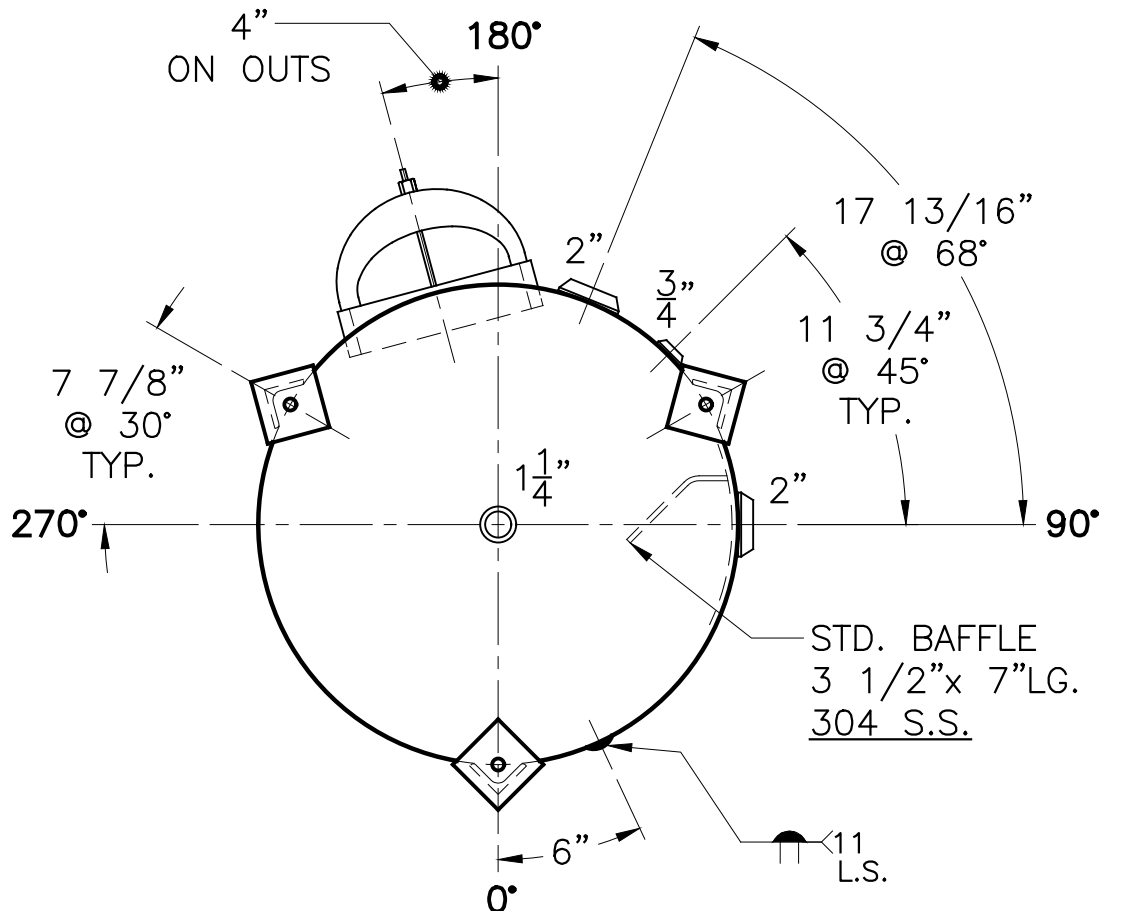


(3) 2 1/2" x 2 1/2" x 3/16" THK. x 17 3/4" LG. ANGLE LEGS

(3) 4" x 4" x 1/4" THK. PADS W/ 3/4" Ø HOLE



NOTE: 1) 2) HYDRO @ 240 PSIG.
4/1/04 PROOF TEST.

SHELL / HEADS	
JOGGLE	.200" SA-455 2:1 S.E.
M.A.W.P.	160 PSIG. @ 180 °F
ASME SECTION IV	2013
X-RAY:	RT-NO / H.L.W.
GALLONS:	140 WT. 395 LBS.
SERIAL NO.	
N.B.	

ES-30-140-V	REV. 8-31-15
FOR: HANSON STANDARD	DATE: 8-31-89
VERT. HOT WATER TANK	
SURFACE AREA = 37.5 SQ. FT.	
INSIDE: EPOXY LINED	
OUTSIDE: PRIME	
LEG-ZONE 4-15 KM.	
BY: E.S.	SCALE: 1" = 12"
ROY E. HANSON JR. MFG.	
1600 E. WASHINGTON BLVD.	
LOS ANGELES, CA 90021	