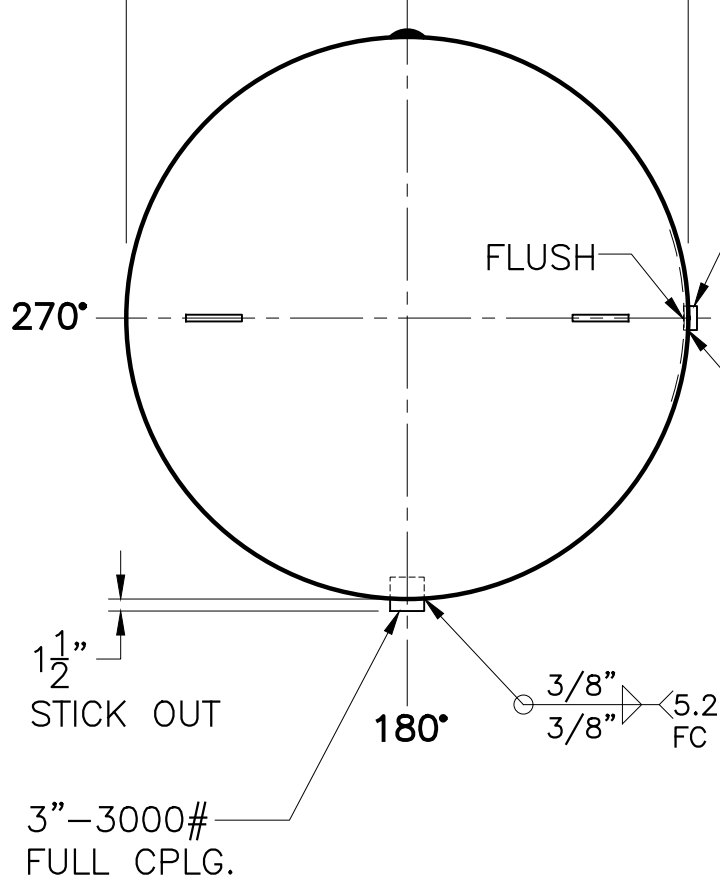
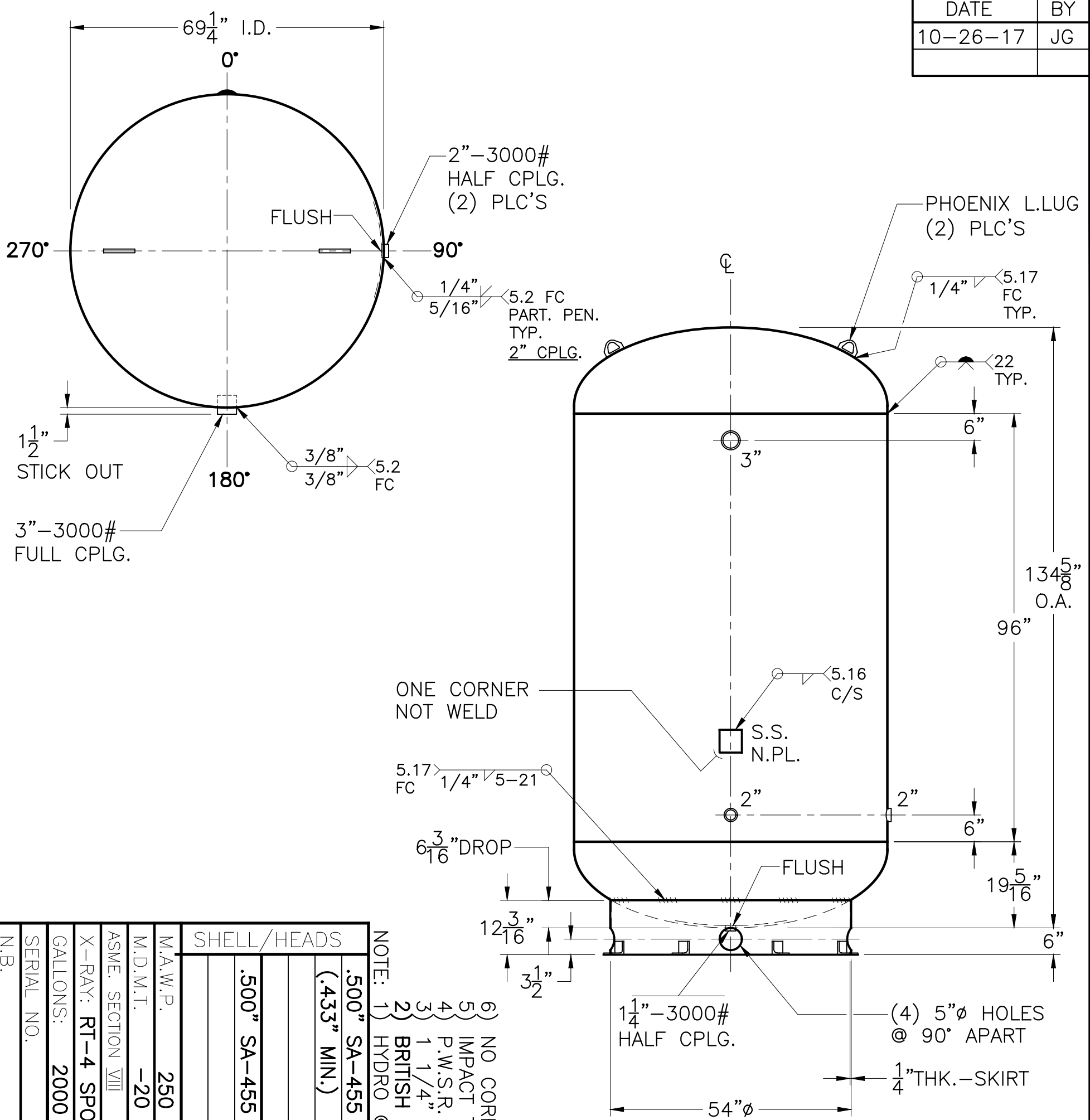
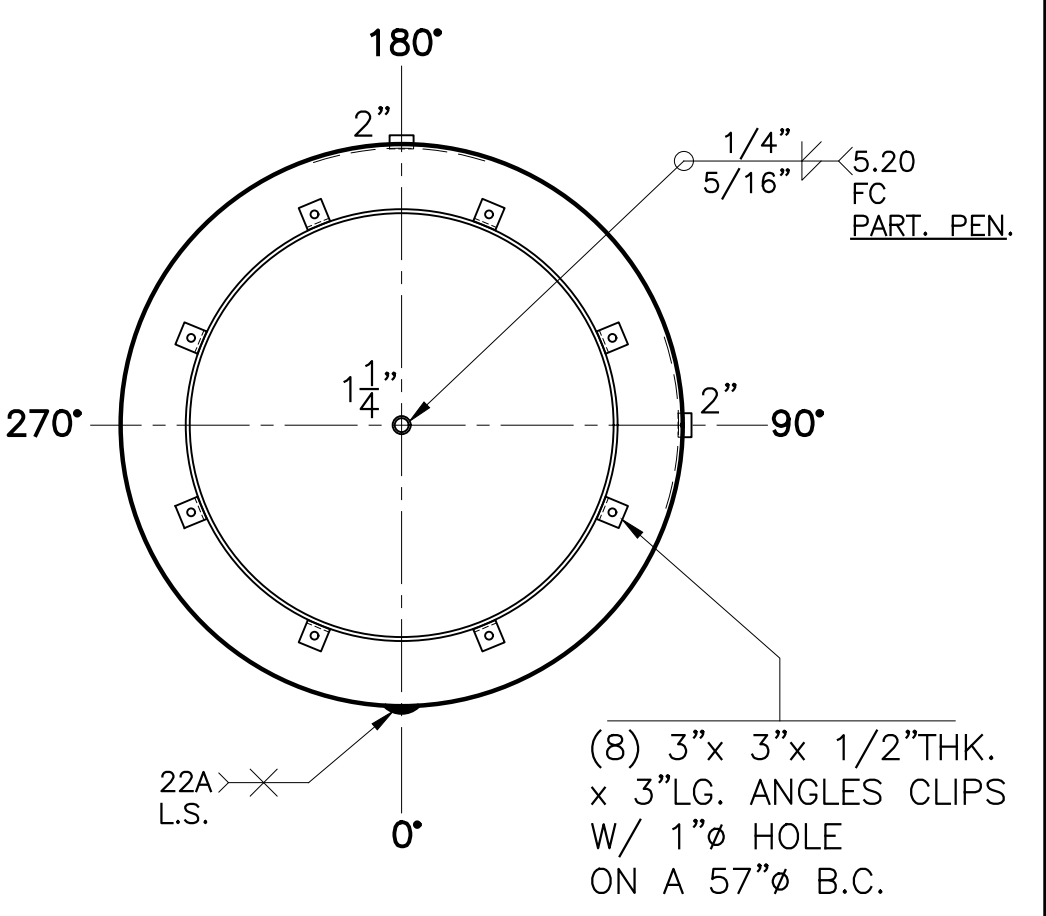


DATE	BY
10-26-17	JG



SHELL/HEADS	
.500" SA-455	2:1 S.E.
(.433" MIN.)	
M.A.W.P.	250 PSIG. @ 200 °F
M.D.M.T.	-20 °F @ 250 PSIG.
ASME SECTION VIII	DIV. 1, 2015
X-RAY: RT-4 SPOT L.S. & HEADS G.S.	
GALLONS: 2000	WT. 5350 LBS.
SERIAL NO.	
N.B.	

- NOTE: 1) HYDRO @ 325 PSIG. MIN.
 2) BRITISH COLUMBIA CRN: L1235.1
 3) 1 1/4" & 2" FNPT ARE FLUSH INSIDE.
 4) P.W.S.R. ENTIRE VESSEL BEFORE HYDROTEST.
 5) IMPACT TESTED? NO UG-20(F)
 6) NO CORROSION ALLOWANCE.



MB-812-B	REV. 11-14-17
FOR: VERT. HYDROGEN (VAPOR) TANK NON CORROSIVE SERVICE SURFACE AREA = 228.0 SQ. FT. INSIDE: S.BLAST, (1) HEAD LOOSE OUTSIDE: S.BLAST AND PRIME	DATE: 10-26-17
BY: J.G./B.C.	SCALE: 1/2" = 12"
ROY E. HANSON JR. MFG.	
LOS ANGELES, CA 90021	