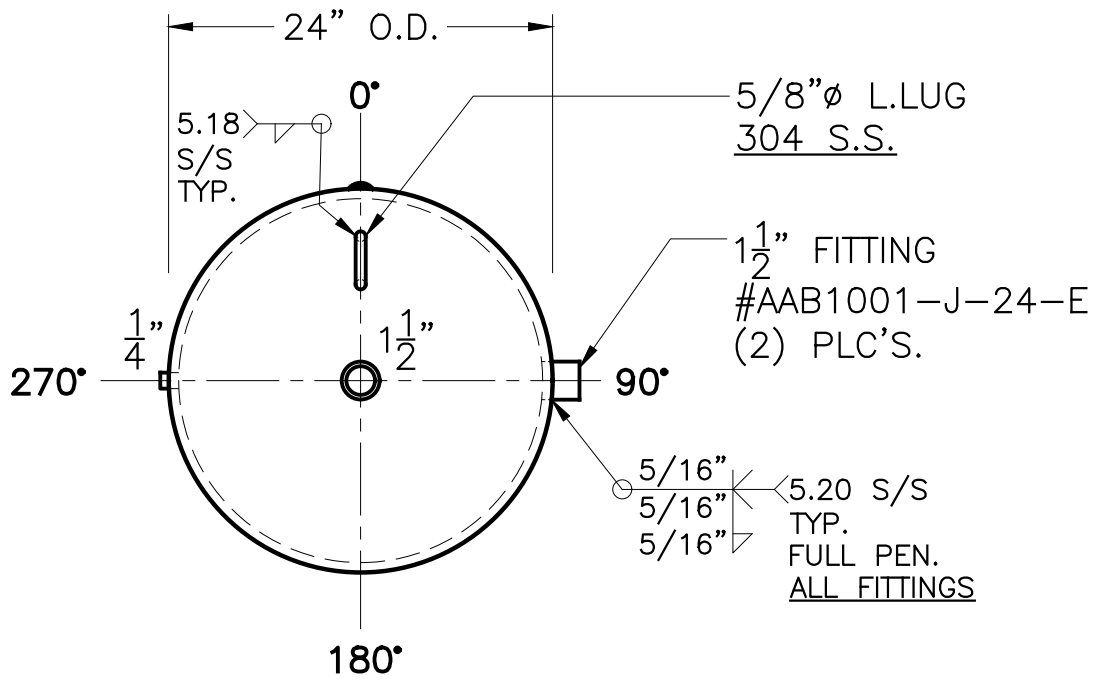


DATE	BY
5-22-17	JG
12-28-17	JG



1/4" FITTING  
#AAB1001-J-4-E

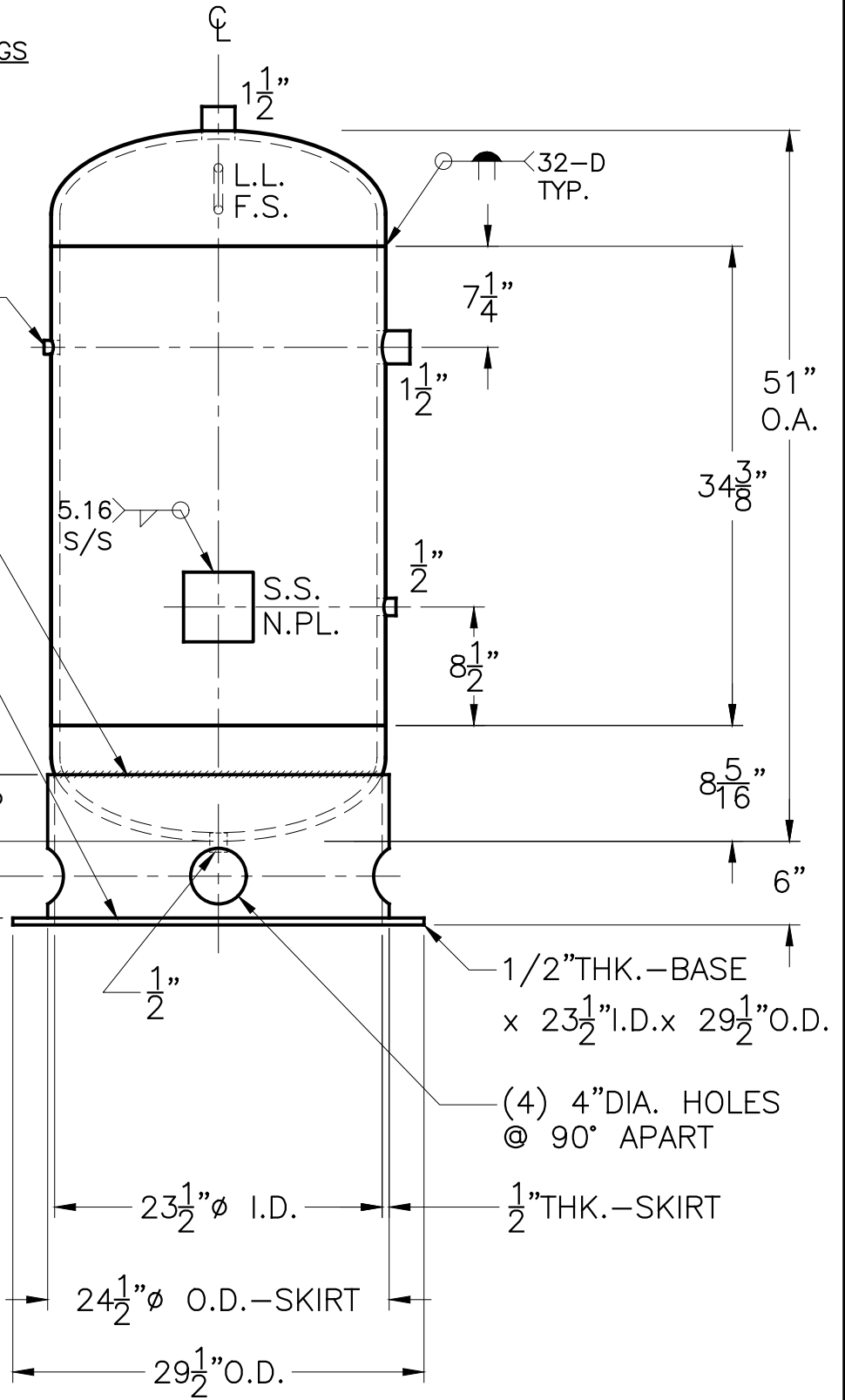
5.17 S/S SEAL WELD

5.17 S/S 3/8" SEAL WELD

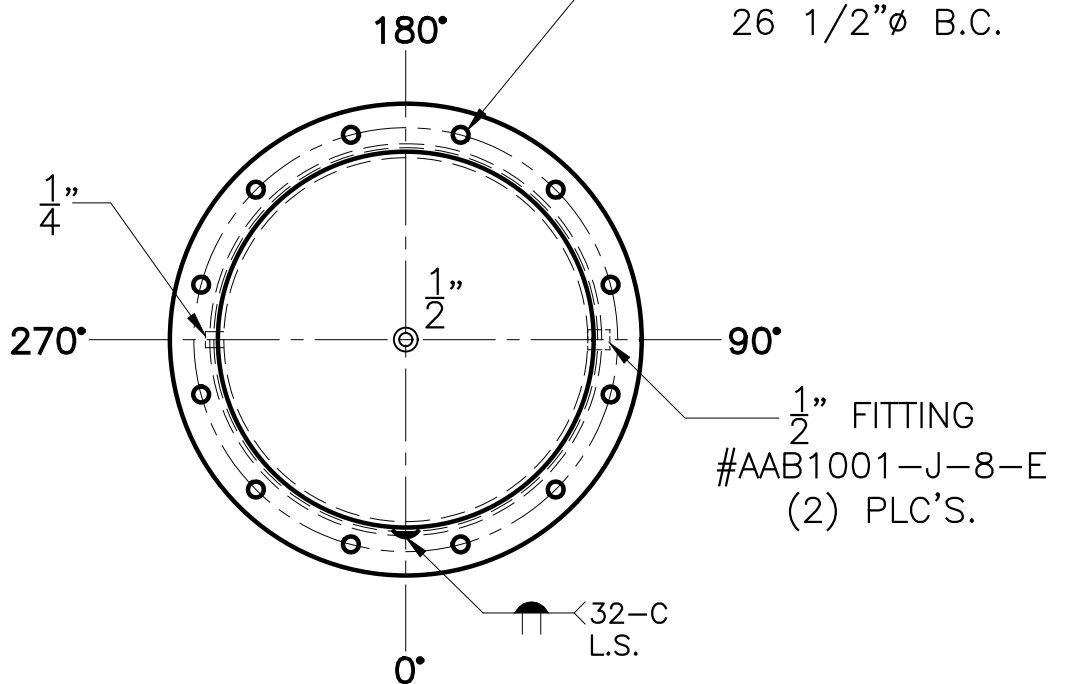
10 5/16"

4 13/16" DROP

3"



(12) 1"  $\phi$  HOLES  
EQ. SP. ON  
26 1/2"  $\phi$  B.C.



NOTE: 1) HYDRO @ 1144 PSIG. MIN.  
2) ALL FITTINGS SA-182-304 S.S.  
3) ALL FITTINGS ARE INSIDE FLUSH.  
4) ALL 304 S.S. CONSTRUCTION.

SHELL / HEADS	
.625" SA-240-304 2:1 S.E. (.646" MIN.)	
M.A.W.P. 880 PSIG. @ 200 °F	
M.D.M.T. -20 °F @ 880 PSIG.	
ASME SECTION VIII DIV. 1, 2017	
X-RAY: RT-4 SPOT L.S. ONLY	
GALLONS: 80	WT. 952 LBS.
SERIAL NO.	
N.B.	

FOR:	
VERT. NITROGEN TANK	
NON CORROSIVE SERVICE	
SURFACE AREA = 29.1 SQ. FT.	
INSIDE: BEAD BLAST - BOTH	
HEAD OFF AND	
PASSIVATE WITH HEADS ON	
OUTSIDE: BEAD BLAST & PASSIVATE	
BY: J.G./B.C.	SCALE: 1"=12"
<b>ROY E. HANSON JR. MFG.</b>	
LOS ANGELES, CA 90021	

**MB-769-B**

REV. 12-28-17

DATE: 1-19-16