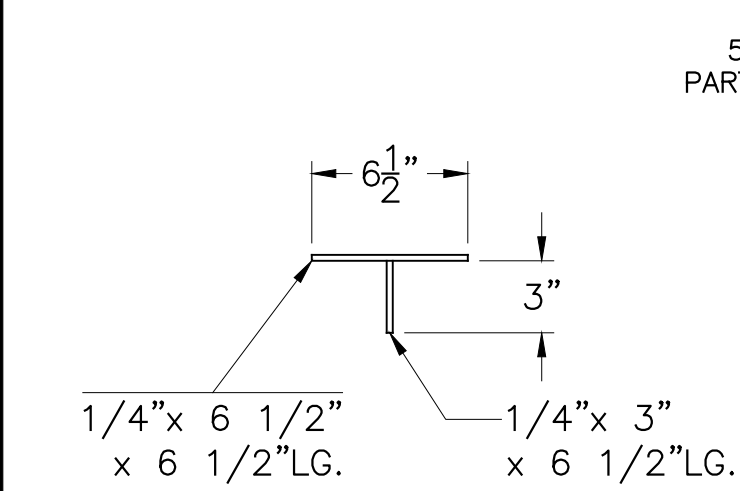
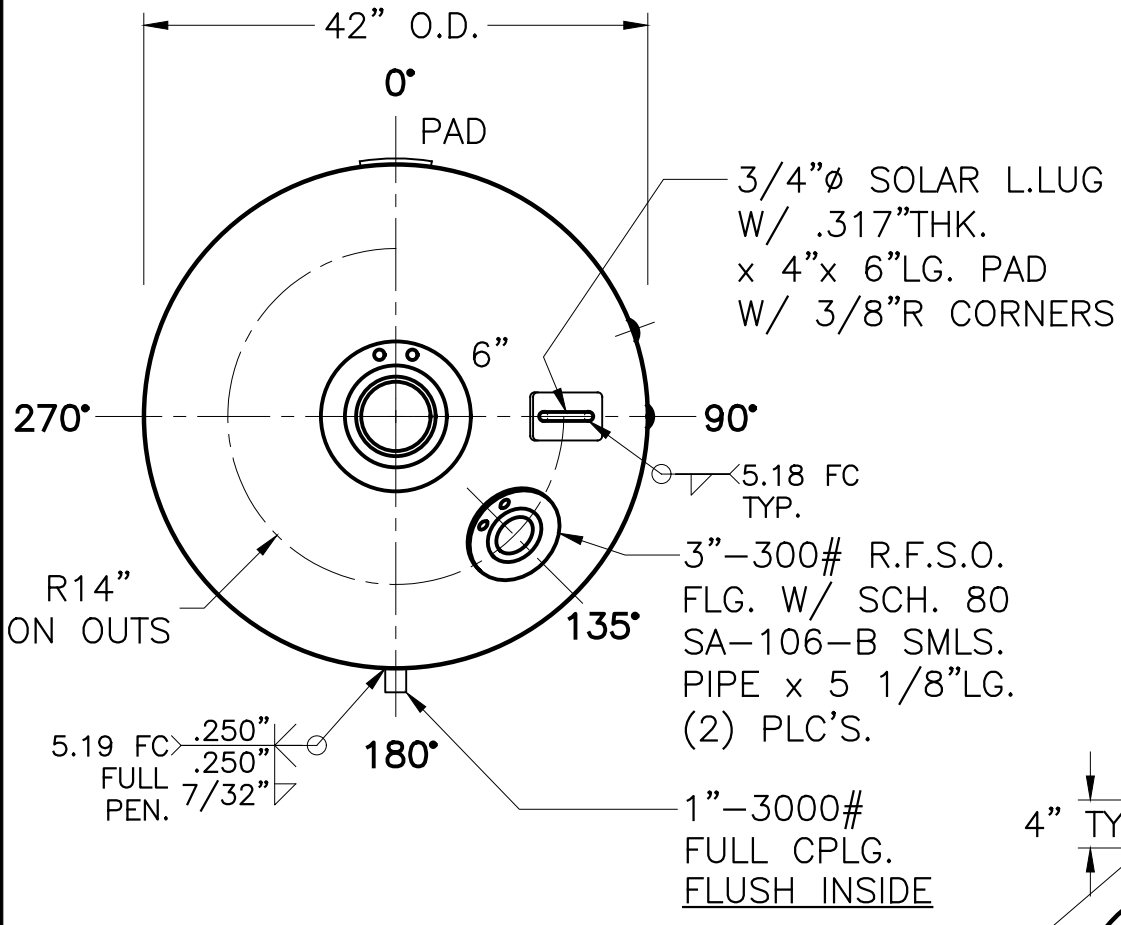


DATE	BY
4-30-14	RH



T.BKT DTL.

SHELL / HEADS	
.500" SA-516-70	2:1 S.E.
(.495" MIN.)	
M.A.W.P. 350 PSIG. @ 200 °F	
M.D.M.T. -20 °F @ 350 PSIG	
ASME SECTION VIII DIV. 1, 2013	
X-RAY: RT-4 SPOT L.S. ONLY	
GALLONS: 377	WT. 1963 LBS.
SERIAL NO.	
N.B.	

NOTE: 1) HYDRO @ 455 PSIG. MIN.
2) TANK WELDED TO SKID BY CUSTOMER.

MB-710-B	REV.
DATE: 4-30-14	
FOR: VERT. CO2 VAPOR TANK	
NON-CORROSIVE	
SURFACE AREA = 74.0 SQ. FT.	
UW-21(b)	
INSIDE: UNPAINTED & DEHYDRATE	
OUTSIDE: PRIME	
BY: E.S. / B.C.	SCALE: 3/4"=12"
ROY E. HANSON JR. MFG.	
1600 E. WASHINGTON BLVD.	
LOS ANGELES, CA 90021	

